

Wind River[®]

2014

Wind River[®]

The mission at Wind River is simple,

Build the best ceiling fans possible utilizing

State of the art materials and production.

Our unique spectrum of design will provide

A lifetime of form and function for any

Home or castle..

Feel the breeze... Wind River[™]

Table of Contents

Fan.....P1



Catalonia™ (WR1465)



Chapman™ (WR1468)



Courttyard™ (WR1469)



Dalton™ (WR1423/WR1472)



Del Mar™ (WR1467)



Droid™ (WR1461)



Frisco™ (WR1453)



Estela™ (WR1431)



Modelo™ (WR1426)



Neopolis™ (WR1473/WR1475)



Novato™ (WR1466)



Solero™ (WR1440)



Valrosa™ (WR1460)



Zorion™ (WR1464)

Light Kit.....P33

Hand Held Remote Control....P35

Wall Remote Control.....P35

Hard Wired Wall Control.....P36

Downrod.....P37

Finish.....P38



WR1461N

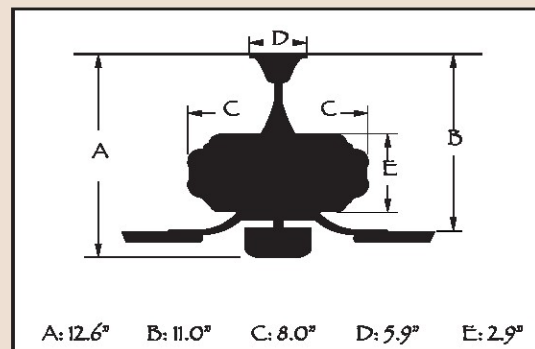
Nickel Finish
 Silver ABS Blades
 Uni-pack Fan, Blades (Included)

Droid™

SPECS

Blade Sweep.....	52"
Number Of Blades.....	3
Blade Pitch.....	48°
Motor Size (MM).....	153x17
Shipping Wt. (lbs).....	13.9
CU. FT. in Carton.....	1.93
AMPS (HI SPEED).....	0.62
Airflow (Cubic Feet Per Minute).....	5661
Watts (HI SPEED).....	66.5
Airflow Efficiency (CFM Per Watt).....	.85

CEILING DROP DIMENSIONS





WR1461W

White Finish
White ABS Blades
Uni-pack Fan, Blades (Included)



WR1461MB

Matte Black Finish
Matte Black ABS Blades
Uni-pack Fan, Blades (Included)



WSC4401W Wall Control
(Included)

Optional



T4401



W4401





WR1464N

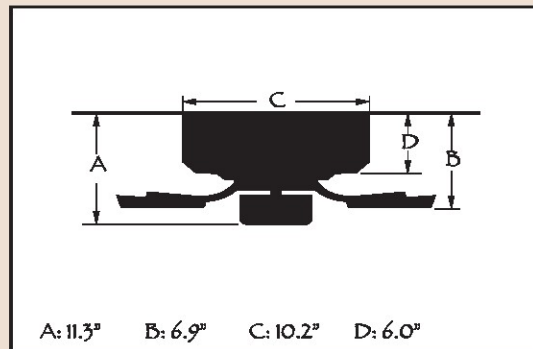
Nickel Finish
 Reversible Medium Maple/ Dark Walnut Blades
 With Frosted Opal Glass
 Uni-pack Fan, Blades And Light Kit (Included)

Zorion™

SPECS

Blade Sweep.....	52"
Number Of Blades.....	4
Blade Pitch.....	12"
Motor Size (MM).....	153x15
Shipping Wt. (lbs).....	20.7
CU. FT. in Carton	2.35
AMPS (HI SPEED).....	0.52
Airflow (Cubic Feet Per Minute).....	4822
Watts (HI SPEED).....	64.2
Airflow Efficiency (CFM Per Watt).....	75

CEILING DROP DIMENSIONS





WR1464OB

Oiled Bronze Finish
Reversible Medium Maple/ Dark Walnut Blades
With Tea Stain Glass
Uni-pack Fan, Blades And Light Kit (Included)



WR1464W

White Finish
White Blades
With Frosted Opal Glass
Uni-pack Fan, Blades And Light Kit (Included)



LED 17W-3000K Dimmable
(Included)



T4401
Hand Held Remote Control (Included)





WR1473SS

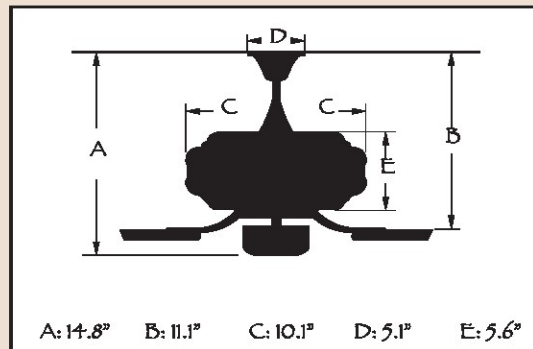
Stainless Steel Finish
 Silver Blades
 With Frosted Opal Glass
 Uni-pack Fan, Blades And Light Kit (Included)

Neopolis™

SPECS

Blade Sweep.....	52"
Number Of Blades.....	3
Blade Pitch.....	12"
Motor Size (MM).....	153x17
Shipping Wt. (lbs).....	17.2
CU. FT. in Carton.....	1.93
AMPS (HI SPEED).....	0.59
Airflow (Cubic Feet Per Minute).....	5042
Watts (HI SPEED).....	63.6
Airflow Efficiency (CFM Per Watt).....	79

CEILING DROP DIMENSIONS





WR14730B

Oiled Bronze Finish
Reversible Medium Maple/ Dark Walnut Blades
With Tea Stain Glass
Uni-pack Fan, Blades And Light Kit (Included)



LED 17W-3000K Dimmable
(Included)



T4401
Hand Held Remote Control (Included)





WR1475SS

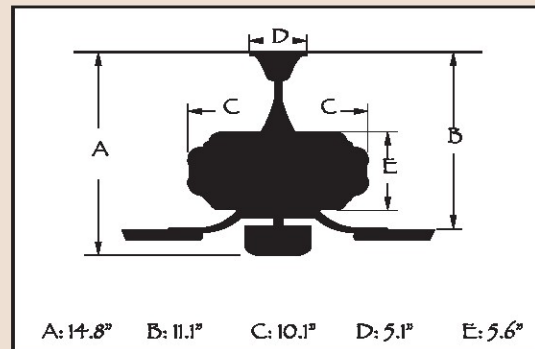
Stainless Steel Finish
 Silver Blades
 With Frosted Opal Glass
 Uni-pack Fan, Blades And Light Kit (Included)

Neopolis™

SPECS

Blade Sweep.....	52"
Number Of Blades.....	5
Blade Pitch.....	12°
Motor Size (MM).....	153x17
Shipping Wt. (lbs).....	18.0
CU. FT. in Carton.....	1.93
AMPS (HI SPEED).....	0.59
Airflow (Cubic Feet Per Minute).....	5184
Watts (HI SPEED).....	64.5
Airflow Efficiency (CFM Per Watt).....	80

CEILING DROP DIMENSIONS





WR1475OB

Oiled Bronze Finish
Reversible Medium Maple/ Dark Walnut Blades
With Tea Stain Glass
Uni-pack Fan, Blades And Light Kit (Included)



LED 17W-3000K Dimmable
(Included)



T4401
Hand Held Remote Control (Included)





WR1440N

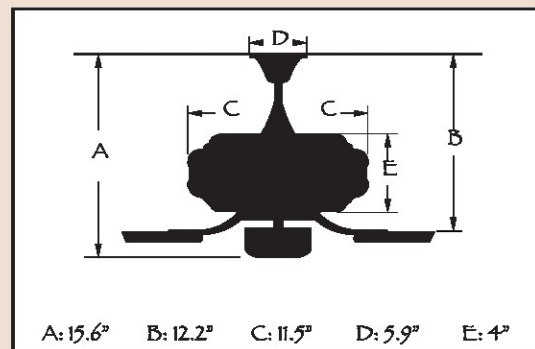
Nickel Finish
 Reversible Medium Maple/ Dark Walnut Blades
 With Frosted Opal Glass
 Uni-pack Fan, Blades And Light Kit (Included)

Solero™

SPECS

Blade Sweep.....	52"
Number Of Blades.....	5
Blade Pitch.....	12"
Motor Size (MM).....	188x15
Shipping Wt. (lbs).....	23.8
CU. FT. in Carton.....	1.75
AMPS (HI SPEED).....	0.61
Airflow (Cubic Feet Per Minute).....	6038
Watts (HI SPEED).....	72.5
Airflow Efficiency (CFM Per Watt).....	83

CEILING DROP DIMENSIONS





WR14400B

Oiled Bronze Finish
Reversible Medium Maple/ Dark Walnut Blades
With Frosted Opal Glass
Uni-pack Fan, Blades And Light Kit (Included)



LED 17W-3000K Dimmable
(Included)



T4401
Hand Held Remote Control (Included)





WR1466N

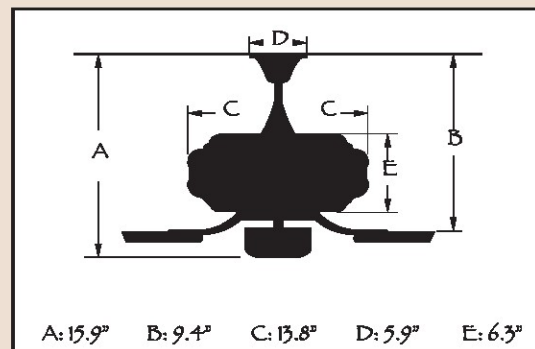
Nickel Finish
 Reversible Medium Maple/ Dark Walnut Blades
 With Frosted Opal Glass
 Uni-pack Fan, Blades And Light Kit (Included)

NovatoTM

SPECS

Blade Sweep.....	70°
Number Of Blades.....	5
Blade Pitch.....	12°
Motor Size (MM).....	DC172x25
Shipping Wt. (lbs).....	26.2
CU. FT. in Carton	3.08
AMPS (HI SPEED).....	0.31
Airflow (Cubic Feet Per Minute).....	6876
Watts (HI SPEED).....	21.5
Airflow Efficiency (CFM Per Watt).....	320

CEILING DROP DIMENSIONS





WR1466OB

Oiled Bronze Finish
Reversible Medium Maple/ Dark Walnut Blades
With Frosted Opal Glass
Uni-pack Fan, Blades And Light Kit (Included)



LED 17W-3000K Dimmable
(Included)



Hand Held Remote Control (Included)





WR1426FB

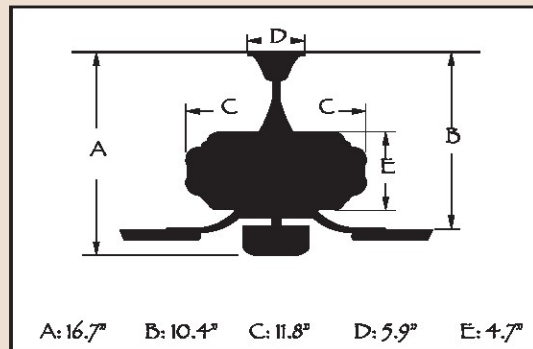
French Beige Finish
 Reversible Medium Maple/ Dark Walnut Blades
 With Tea Stain Glass
 Uni-pack Fan, Blades And Light Kit (Included)

Modelo™

SPECS

Blade Sweep.....	52"
Number Of Blades.....	5
Blade Pitch.....	12"
Motor Size (MM).....	153x15
Shipping Wt. (lbs).....	20.9
CU. FT. in Carton	1.82
AMPS (HI SPEED).....	0.57
Airflow (Cubic Feet Per Minute).....	5166
Watts (HI SPEED).....	67.5
Airflow Efficiency (CFM Per Watt).....	77

CEILING DROP DIMENSIONS





WR1426N

Nickel Finish
Reversible Medium Maple/ Dark Walnut Blades
With Frosted White Glass
Uni-pack Fan, Blades And Light Kit (Included)



WR1426OB

Oiled Bronze Finish
Reversible Medium Maple/ Dark Walnut Blades
With Tea Stain Glass
Uni-pack Fan, Blades And Light Kit (Included)



2 x 13W CFL (Included)



3 Speed Pull Chain Control

Optional



T4401



W4401





WR1468FB

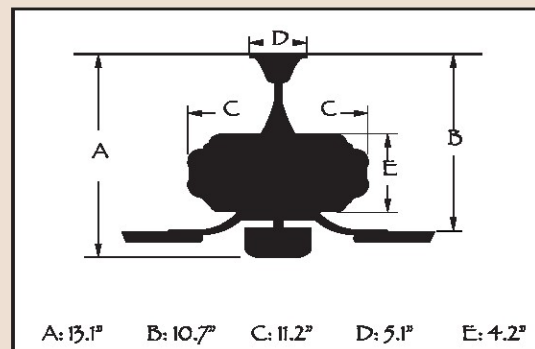
French Beige Finish
 Reversible Medium Maple/ Dark Walnut Blades
 Uni-pack Fan, Blades (Included)

ChapmanTM

SPECS

Blade Sweep.....	52"
Number Of Blades.....	5
Blade Pitch.....	12"
Motor Size (MM).....	188x15
Shipping Wt. (lbs).....	21.8
CU. FT. in Carton.....	1.95
AMPS (HI SPEED).....	0.60
Airflow (Cubic Feet Per Minute).....	6177
Watts (HI SPEED).....	71.7
Airflow Efficiency (CFM Per Watt).....	86

CEILING DROP DIMENSIONS





WR1468N

Nickel Finish
Reversible Medium Maple/ Dark Walnut Blades
Uni-pack Fan, Blades (Included)



WR1468OB

Oiled Bronze Finish
Reversible Medium Maple/ Dark Walnut Blades
Uni-pack Fan, Blades (Included)

Optional KG200 (Not included)



3 Speed Pull Chain Control

Optional



T4401



W4401



WSC4401W /
WSC4401V





WR1467FB

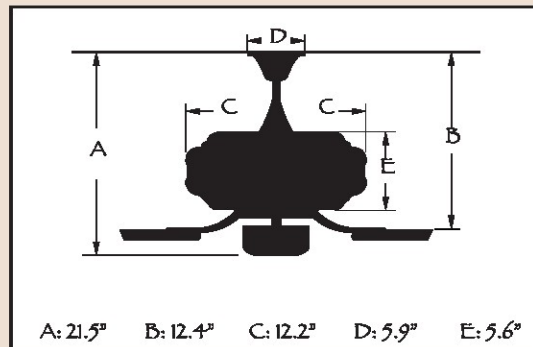
French Beige Finish
 Reversible Medium Maple/dark Walnut Blades
 With Tea Stain Glass
 Uni-pack Fan, Blades And Light Kit (Included)

Del Mar™

SPECS

Blade Sweep.....	52"
Number Of Blades.....	5
Blade Pitch.....	12"
Motor Size (MM).....	153x17
Shipping Wt. (lbs).....	20.4
CU. FT. in Carton	2.29
AMPS (HI SPEED).....	0.55
Airflow (Cubic Feet Per Minute).....	5292
Watts (HI SPEED).....	65.1
Airflow Efficiency (CFM Per Watt).....	81

CEILING DROP DIMENSIONS





3 x 13W CFL (Included)



3 Speed Pull Chain Control

Optional



T4401



W4401





WR1460SB

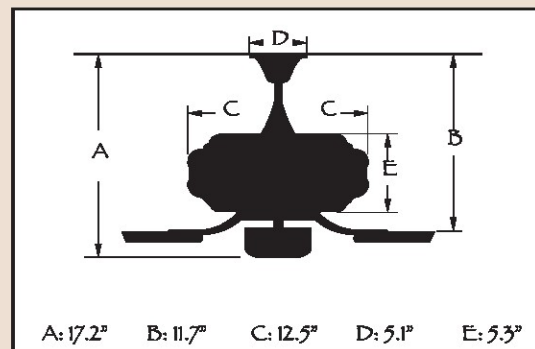
Silver Bronze Finish
 Reversible Medium Maple/ Dark Walnut Blades
 With Tea Stain Glass
 Uni-pack Fan, Blades And Light Kit (Included)

ValrosaTM

SPECS

Blade Sweep.....	52"
Number Of Blades.....	5
Blade Pitch.....	12°
Motor Size (MM).....	153x17
Shipping Wt. (lbs).....	18.3
CU. FT. in Carton	2.14
AMPS (HI SPEED).....	0.58
Airflow (Cubic Feet Per Minute).....	5253
Watts (HI SPEED).....	65.8
Airflow Efficiency (CFM Per Watt).....	80

CEILING DROP DIMENSIONS





3 x 13W CFL (Included)



3 Speed Pull Chain Control



Optional



T4401



W4401





WR1431FB

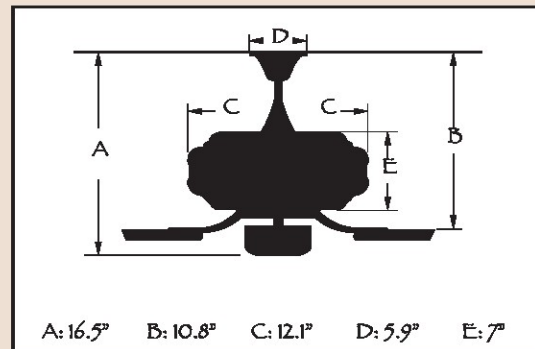
French Beige Finish
 Reversible Medium Maple/ Dark Walnut Blades
 Uni-pack Fan, Blades (Included)

Estela™

SPECS

Blade Sweep.....	52"
Number Of Blades.....	5
Blade Pitch.....	12"
Motor Size (MM).....	153x17
Shipping Wt. (lbs).....	25.5
CU. FT. in Carton.....	3.20
AMPS (HI SPEED).....	0.56
Airflow (Cubic Feet Per Minute).....	5283
Watts (HI SPEED).....	66.1
Airflow Efficiency (CFM Per Watt).....	80

CEILING DROP DIMENSIONS





Optional KG350 (Not Included)



Uplight
4 X 15w C7 Bulbs (Included)



T4401
Hand Held Remote Control (Included)





WR1463FB

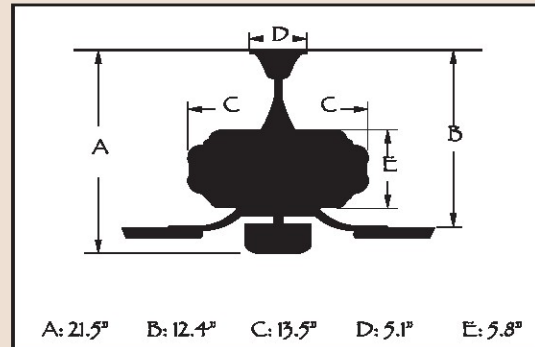
French Beige Finish
 Reversible Medium Maple/ Dark Walnut Blades
 With Tea Stain Glass
 Uni-pack Fan, Blades And Light Kit (Included)

Catalonia™

SPECS

Blade Sweep.....	56"
Number Of Blades.....	5
Blade Pitch.....	12"
Motor Size (MM).....	188x15
Shipping Wt. (lbs).....	27.5
CU. FT. in Carton.....	2.69
AMPS (HI SPEED).....	0.61
Airflow (Cubic Feet Per Minute).....	6423
Watts (HI SPEED).....	72.6
Airflow Efficiency (CFM Per Watt).....	88

CEILING DROP DIMENSIONS





3 x 13W CFL (Included)



3 Speed Pull Chain Control

Optional



T4401



W4401





WR1453N

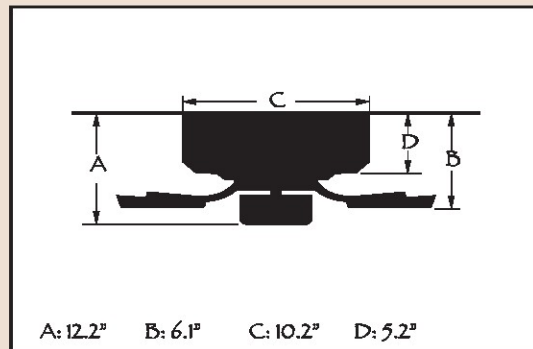
Nickel Finish
 Reversible Medium Maple/ Dark Walnut Blades
 With Frosted White Glass
 Uni-pack Fan, Blades And Light Kit (Included)

FriscoTM

SPECS

Blade Sweep.....	44"
Number Of Blades.....	5
Blade Pitch.....	12°
Motor Size (MM).....	153x12
Shipping Wt. (lbs).....	14.2
CU. FT. in Carton	1.69
AMPS (HI SPEED).....	0.40
Airflow (Cubic Feet Per Minute).....	3828
Watts (HI SPEED).....	48.5
Airflow Efficiency (CFM Per Watt).....	79

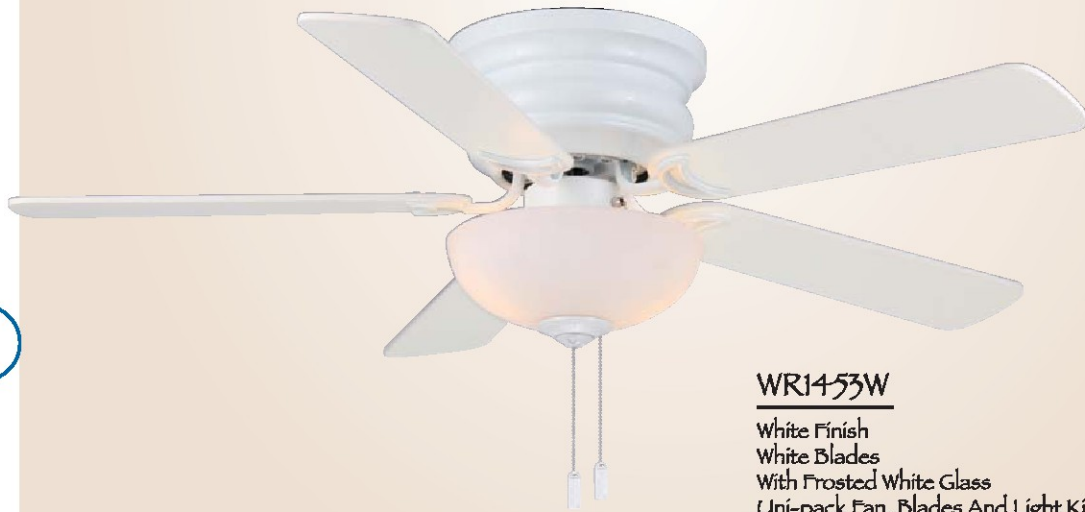
CEILING DROP DIMENSIONS





WR1453OB

Oiled Bronze Finish
Reversible Medium Maple/ Dark Walnut Blades
With Tea Stain Glass
Uni-pack Fan, Blades And Light Kit (Included)



WR1453W

White Finish
White Blades
With Frosted White Glass
Uni-pack Fan, Blades And Light Kit (Included)



2 x 13W CFL (Included)



3 Speed Pull Chain Control

Optional



T4401



W4401





WR1423N

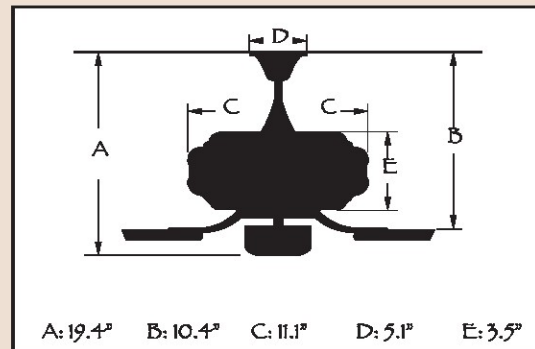
Nickel Finish
 Reversible Medium Maple/ Dark Walnut Blades
 With Alabaster Glass
 Uni-pack Fan, Blades And Light Kit (Included)

Dalton™

SPECS

Blade Sweep.....	52"
Number Of Blades.....	5
Blade Pitch.....	12"
Motor Size (MM).....	153x12
Shipping Wt. (lbs).....	17.7
CU. FT. in Carton.....	1.69
AMPS (HI SPEED).....	0.53
Airflow (Cubic Feet Per Minute).....	5206
Watts (HI SPEED).....	66.2
Airflow Efficiency (CFM Per Watt).....	79

CEILING DROP DIMENSIONS





WR1423OB

Oiled Bronze Finish
Reversible Medium Maple/ Dark Walnut Blades
With Alabaster Glass
Uni-pack Fan, Blades And Light Kit (Included)



2 x 13W CFL (Included)



3 Speed Pull Chain Control

Optional



T4401



W4401





WR1472N

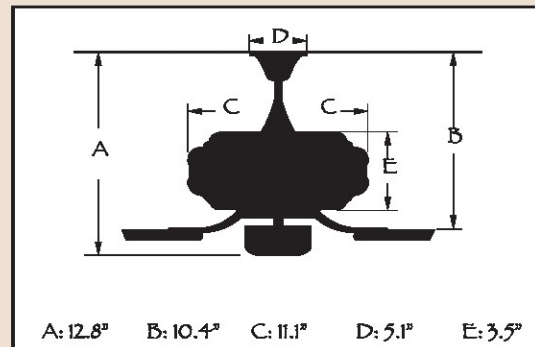
Nickel Finish
 Reversible Medium Maple/ Dark Walnut Blades
 Uni-pack Fan, Blades (Included)

Dalton™

SPECS

Blade Sweep.....	52"
Number Of Blades.....	5
Blade Pitch.....	12°
Motor Size (MM).....	153x12
Shipping Wt. (lbs).....	16.0
CU. FT. in Carton.....	1.69
AMPS (HI SPEED).....	0.53
Airflow (Cubic Feet Per Minute).....	5206
Watts (HI SPEED).....	66.2
Airflow Efficiency (CFM Per Watt).....	79

CEILING DROP DIMENSIONS





WR1472OB

Oiled Bronze Finish
Reversible Medium Maple/ Dark Walnut Blades
Uni-pack Fan, Blades (Included)



WR1472W

White Finish
White Blades
Uni-pack Fan, Blades (Included)



3 Speed Pull Chain Control

Optional



T4401



W4401



WSC4401W /
WSC4401V





WR1469TB

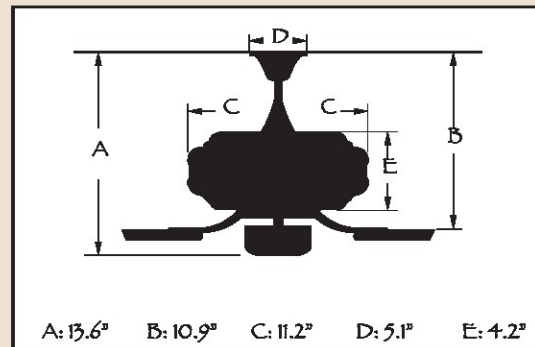
Textured Brown Finish
Brown ABS Blades
Uni-pack Fan, Blades (Included)

Courtyard™

SPECS

Blade Sweep.....	52"
Number Of Blades.....	5
Blade Pitch.....	12"
Motor Size (MM).....	188x15
Shipping Wt. (lbs).....	20.9
CU. FT. in Carton.....	1.95
AMPS (HI SPEED).....	0.61
Airflow (Cubic Feet Per Minute).....	6706
Watts (HI SPEED).....	72.5
Airflow Efficiency (CFM Per Watt).....	92

CEILING DROP DIMENSIONS





WR1469W
White Finish
White ABS Blades
Uni-pack Fan, Blades (Included)



Optional KG250 (Not Included)



3 Speed Pull Chain Control

Optional



WSC4401W /
WSC4401V



Light kit



KG100

Hight: 3.5"

Width: 10.1"

2 x 13W E27 CFL

Finish Options:

FB with Froste Opal glass

N with Froste Opal glass

OB with Froste Opal glass

W with Froste Opal glass



KG150/KG200

Hight: 7.4"

Width: 11.8"

2 x 13W E27 CFL

Finish Options:

KG150:

Alabaster glass

with N, OB and white cap/finial

KG200:

Tea stained glass

with N, OB and white cap/finial



KG400

Hight: 7.9"

Width: 14.6"

3 x 13W E27 CFL

Finish Options:

FB with tea stained glass

N with alabaster glass

OB with tea stained glass

W with alabaster glass



KG350

Hight: 10.0"

Width: 22.7"

4 x 13W E27 CFL

Finish Options:

FB with tea stained glass



LED Light kit



KG500

Hight: 4"

Width: 11"

17W LED

Finish Options:

N with Froste Opal glass

OB with Froste Opal glass

W with Froste Opal glass

Outdoor Light kit



KG250

Hight: 7.3"

Width: 10.7"

2 x 13W E27 CFL

Finish Options:

TB with tea stained glass

W with alabaster glass



KG300

Hight: 7.9"

Width: 8.3"

1 x 13W E27 CFL

Finish Options:

TB with shiny opal glass

W with shiny opal glass

Hand Held Remote Control



T4401

- Three speed fan control
- On/Off plus full range light dimmer
- Includes one (1) hand held remote control, wall holster and canopy mounted receiver
- Wireless remote operation
- Operation at distance of 40"
- 12 Volt battery Included



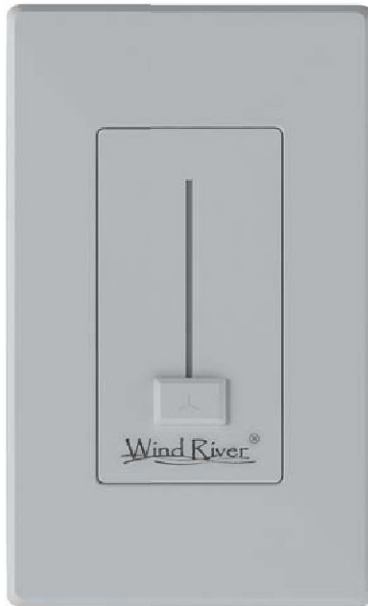
Wall Remote Control



W4401

- Three Speed fan Control
- On/Off Plus full range light dimmer
- Includes one (1) wall remote control with receiver build-in, White and Ivory finish inner/outer plate
- Wireless remote operation
- Operation at distance of 40"

Hard wired Wall Control

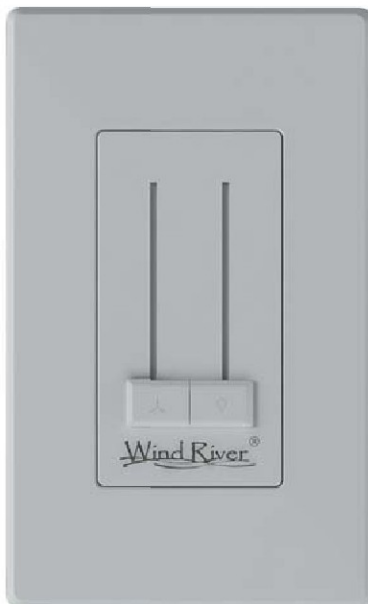


WSC4401W



WSC4401IV

- Three speed fan control
- 2-wire installation



WSC4402W



WSC4402IV

- Three speed fan control
- Full range dimmer
- 3-wire installation

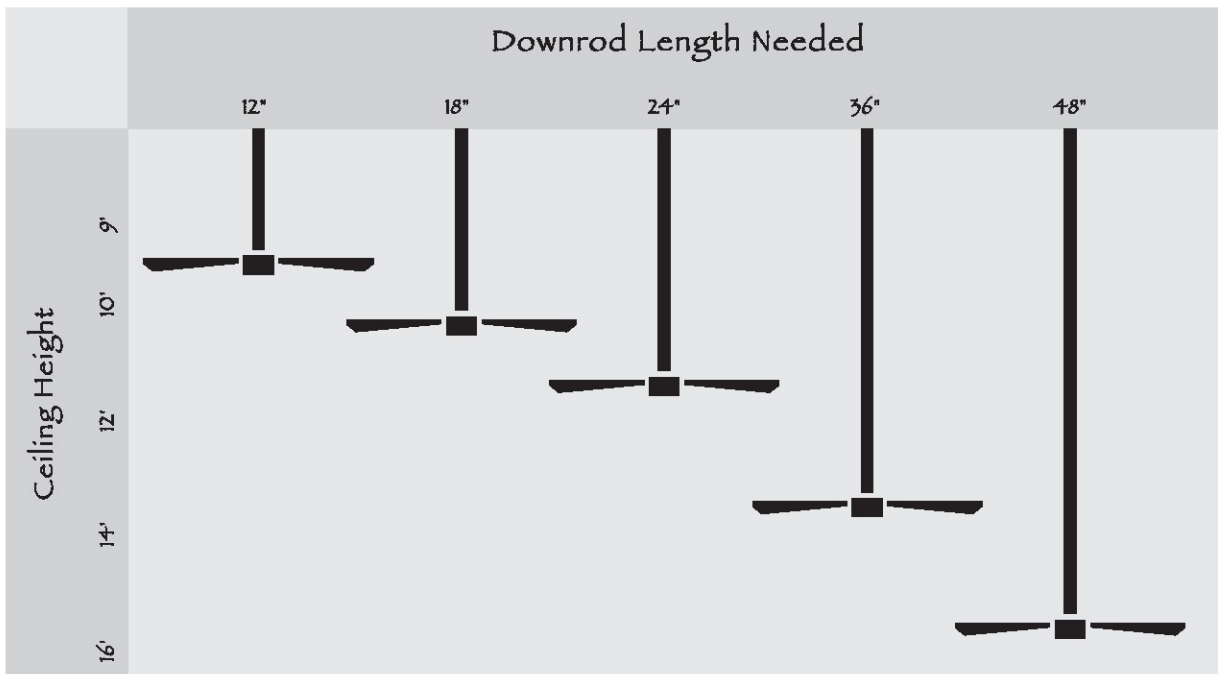


Downrod



Dia 3/4" Downrod with thread

Be sure there is at least 7 feet of clearance under your ceiling fan blades. The downrod should work in most 8 feet ceiling installations. This will position the blades far enough from the ceiling to have enough "supply" air above the blades to provide good air movement. This chart shows recommended downrod lengths for various ceiling heights.



	N	SS	W	OB	FB	SB	MB	TB
12"	R12N	R12SS	R12W	R12OB	R12FB	R12SB	R12MB	R12TB
18"	R18N	R18SS	R18W	R18OB	R18FB	R18SB	R18MB	R18TB
24"	R24N	R24SS	R24W	R24OB	R24FB	R24SB	R24MB	R24TB
36"	R36N	R36SS	R36W	R36OB	R36FB	R36SB	R36MB	R36TB
48"	R48N	R48SS	R48W	R48OB	R48FB	R48SB	R48MB	R48TB

Finishes



N

Nickel



SS

Stainless Steel



W

White



OB

Oiled Bronze



SB

Silver Bronze



FB

French Beige



MB

Matte Black



TB

Textured Brown



Wind River Ceiling Fans

749 Port America Place, Suite 400

Grapevine, TX 76051

Toll Free: 855-817-WIND (9463)

Toll Free Fax: 866-406-4713

E-mail: service@windriverus.com

www.windriverus.com