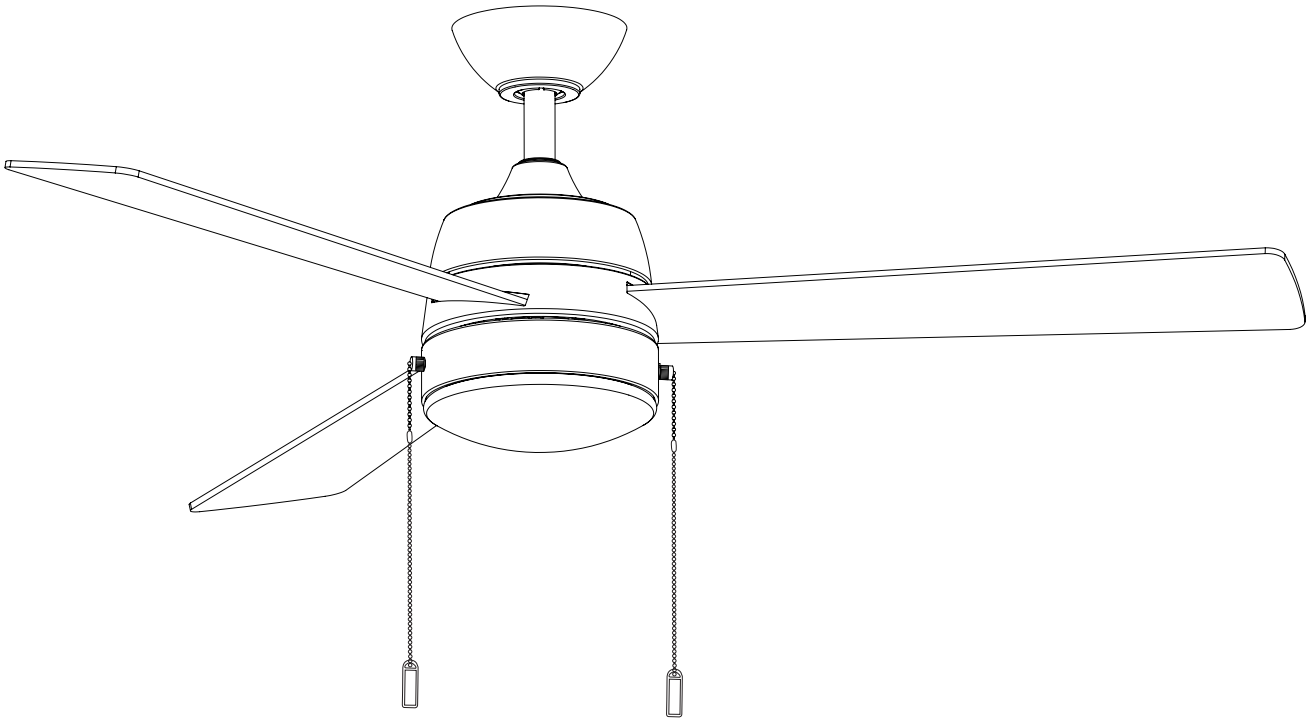


# Wind River®

## 52" Nolan™

### Read and save these instructions



**Questions, problems, missing parts?** Before returning to your retailer, call our customer service department at **855-817-WIND (9463)**  
 8 a.m. - 5 p.m., EST, Monday-Friday  
 E-mail: [service@windriverus.com](mailto:service@windriverus.com)



WR2014 SERIES

Speed	Volts	Amps	Watts	RPM	CFM	N.W.	G.W.	C.F.
Low	120	0.26	15.71	87	2005	5.7 kgs (12.54 lbs)	6.65 kgs (14.63 lbs)	1.276 ft.
Medium		0.38	33.32	129	3085			
High		0.5	60.29	181	4192			

**NOTE:** These are approximate measures. They do not include amps and wattage used by the light kit.

## Safety tips

1. To reduce the risk of electric shock, ensure electricity has been turned off at the circuit breaker or fuse box before beginning.
2. All wiring must be in accordance with the National Electrical Code “ANSI/NFPA 70-1999” and local electrical codes. Electrical installation should be performed by a qualified licensed electrician.
3. The outlet box and support structure must be securely mounted and capable of reliably supporting a minimum of 35 lbs. Use only UL Listed outlet boxes marked “FOR FAN SUPPORT.”
4. The fan must be mounted with a minimum of 7 ft. clearance from the trailing edge of the blades to the floor.
5. After making electrical connections, spliced conductors should be turned upward and pushed carefully up into the outlet box. The wires should be spread apart with the grounded conductor and the equipment-grounding conductor on one side of the outlet box and ungrounded conductor on the other side of the outlet box.
6. All setscrews must be checked and retightened where necessary before installation.



**WARNING:** To reduce the risk of electrical shock or fire, do not use this fan with any solid-state fan speed control device. Please contact with dealer or Wind River at **855-817-WIND (9463)** if using solid-state remote.

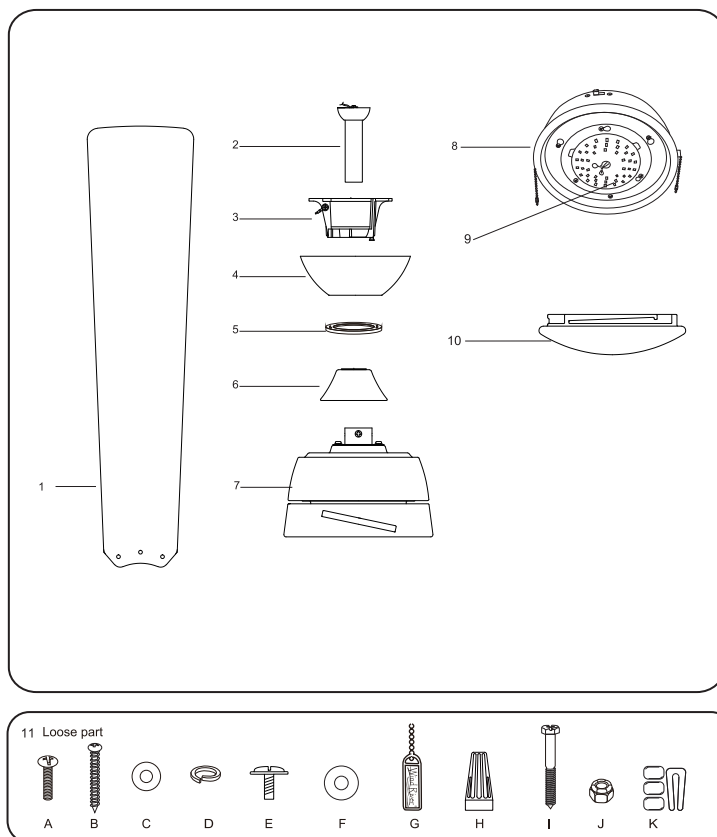


**WARNING:** To reduce the risk of fire, electric shock, or personal injury, mount the fan to the outlet box marked acceptable for fan support with the screws provided with the outlet box.

## Package contents

Unpack your fan and check the contents. See page 2. You should have the following items:

1. Blade (3)
2. Downrod assembly (1)
3. Mounting bracket (1)
4. Canopy (1)
5. Canopy cover (1)
6. Coupling cover (1)
7. Fan motor/housing assembly (1)
8. Light kit plate (1)
9. 17W LED assembly (pre-installed) (1)
10. Glass shade (1)
11. Loose parts bag containing
  - A: Machine screw (2)
  - B: Wood screw (2)
  - C: Metal washer (2)
  - D: Lock washer (2)
  - E: Blade screw (9+1 spare)
  - F: Fiber washer (9+1 spare)
  - G: Pull chain fob (2)
  - H: Wire nuts (3)
  - I: Safety bolt (1)
  - J: Nut (1)
  - K: Balancing kit (1)



## Begin installation

Tools Required: Phillips screw driver; slotted screw driver; pliers; wire cutters; electrical tape.

### MOUNTING OPTIONS

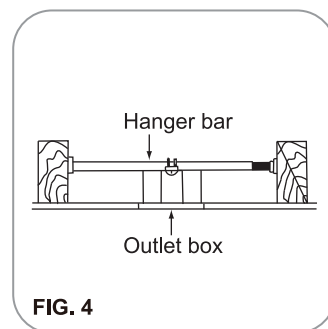
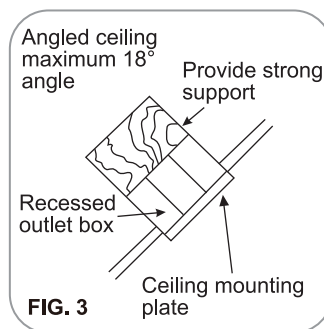
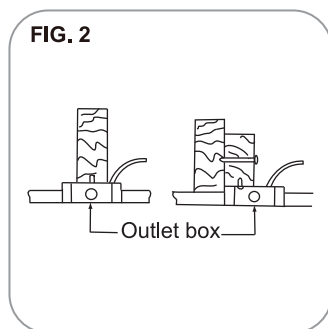
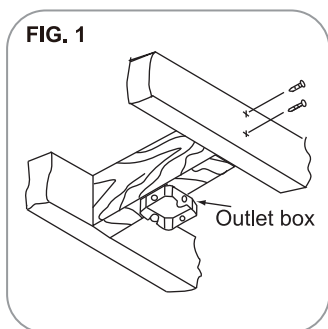
If there isn't an existing outlet box, then read the following instructions. Shut the power off at the circuit breaker or fuse box.

Secure the outlet box directly to the building structure. Use appropriate fasteners and building materials. Only use a U.L. Listed metal outlet box marked "Acceptable for ceiling fan support" to install the ceiling fan. Do not use a plastic outlet box or other device.

Figures 1,2 and 3 are examples of different ways to mount the outlet box.

Note: Please contact with dealer or Wind River at **855-817-WIND (9463)** if you need a longer downrod to maintain proper blade clearance when installing on a steep, sloped ceiling.

To hang your fan where there is an existing fixture but no ceiling joist, you may need to install a hanger bar as shown in Fig. 4.



## Hanging the fan

**WARNING:** Please use all of the parts hardware and components provided by Wind River. The use of other parts, hardware or components not supplied by Wind River with the fan will void the Wind River Warranty.

**REMEMBER** to turn off the power. Follow the steps below to hang your fan properly:

Step 1. Secure the mounting bracket to the ceiling outlet box using screws and washers included with mounting hardware. (Fig.5)

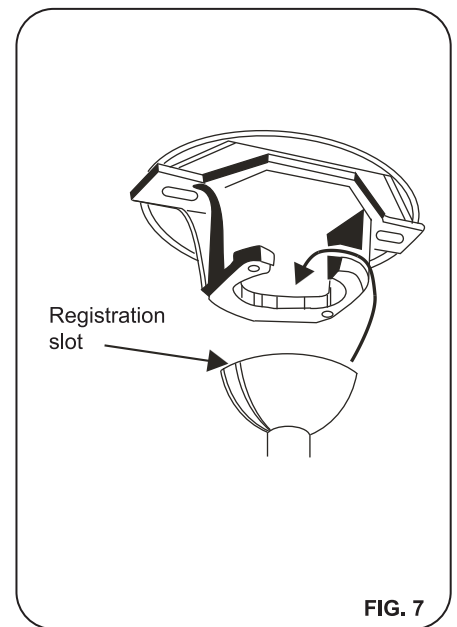
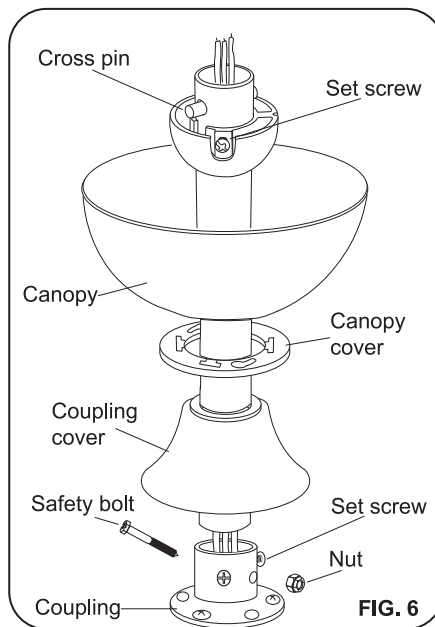
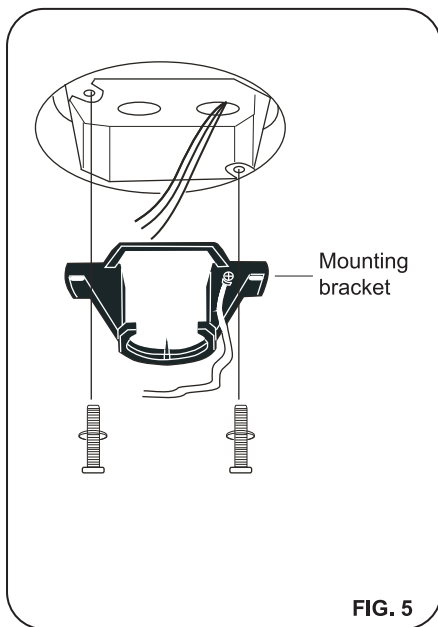
Step 2. Loosen the two set screws from the top coupling of the motor assembly. (Fig.6)

Step 3. Remove hanger ball from downrod assembly by loosening set screw, removing the cross pin, and sliding ball off rod. (Fig.6)

Step 4. Carefully feed fan wires up through the downrod (Fig.6). Screw the downrod into the coupling. Insert the safety bolt through the coupling and attach the nut. Tighten firmly. Tighten set screws.

Step 5. Slip coupling cover, canopy cover, and canopy onto downrod (Fig.6). Carefully reinstall hanger ball onto rod being sure that cross pin is in the correct position, set screws are tightened and wires are not twisted.

Step 6. Now lift motor assembly into position and place hanger ball into hanger bracket. Rotate until the check groove has dropped into the registration slot and seats firmly. (Fig.7) Rod should not rotate if this is done correctly.



## Electrical connections

**REMEMBER** to shut the power off at the circuit breaker or fuse box.

Follow the steps below to connect the fan to your house supply wires. Use the wire nuts supplied with your fan. Secure the wire nuts by wrapping the connection with electrical tape.

Step 1. Connect the black (hot) wire from the ceiling to the black and the blue wires from the fan. Connect the white (Neutral) wire from the ceiling to the white wire from the fan. (Fig.8)

Step 2. If your outlet has a ground wire (Green or Bare Copper) connect the fan ground wires (from hanger ball and mounting bracket) to it; otherwise connect the fan ground wire wires from the hanger ball and mounting bracket together. (Fig. 8)

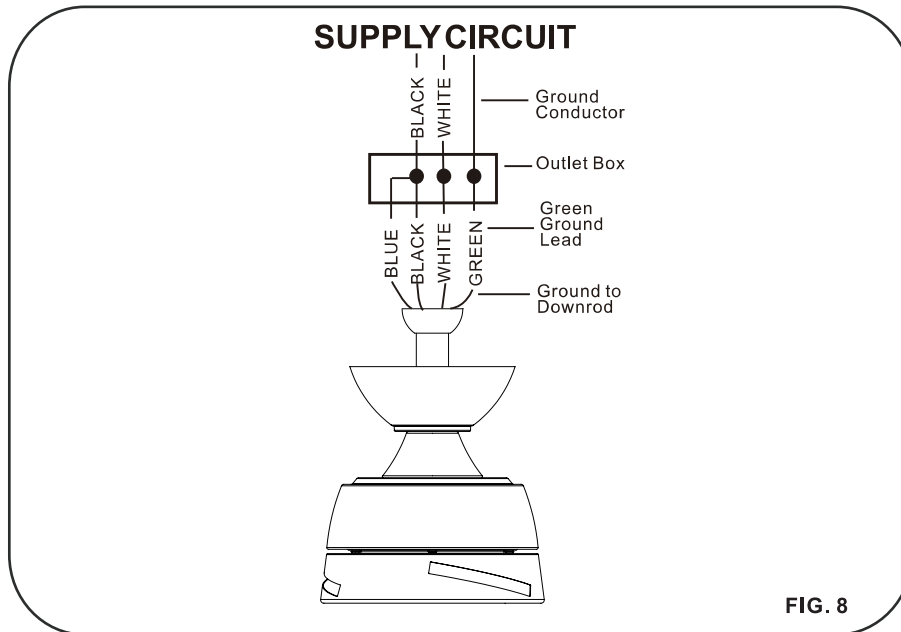


FIG. 8

## Finishing the installation

Step 1. Remove one screw from the mounting bracket and loosen the other screw approximately 1/4 turn.

Step 2. Carefully raise the canopy up to the mounting bracket, and ensure the loosened screw is inserted into the key hole on the canopy. Rotate the canopy clockwise. (Fig. 9)

Step 3. Secure the canopy by replacing the screw previously removed and tightening the screw previously loosened. (Fig. 9)

Step 4. Place the canopy cover on the canopy, and rotate the canopy cover clockwise until it locks into position. (Fig. 9)

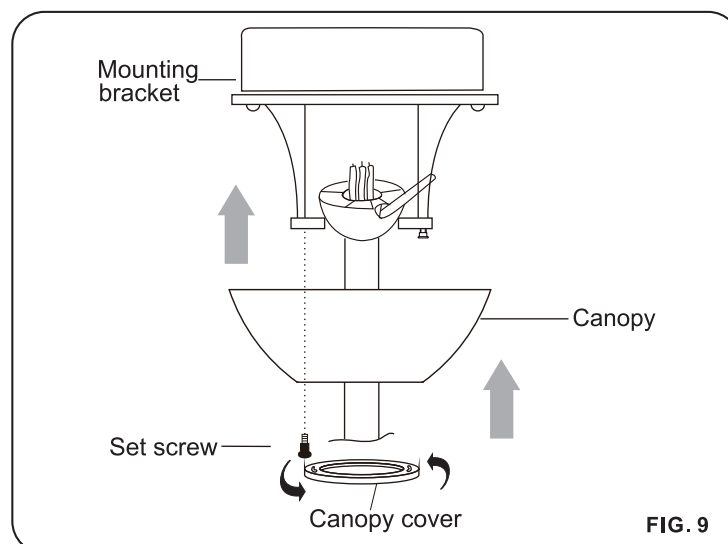


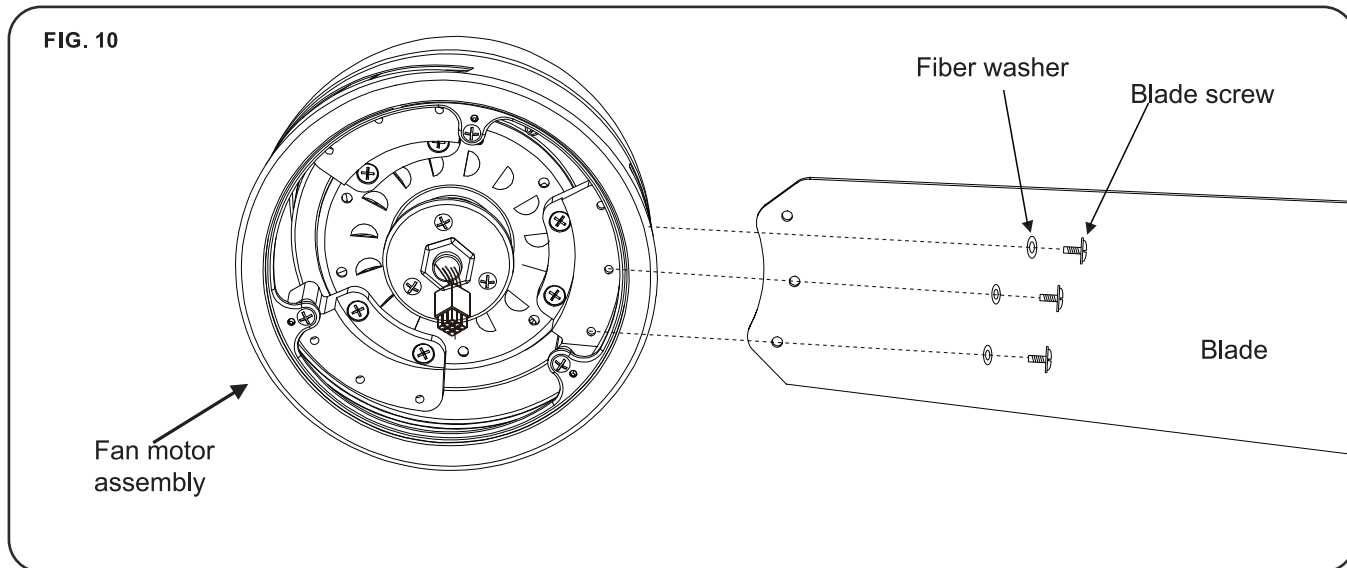
FIG. 9

## Blade installation

Step 1. Insert the blade through the slot on the fan motor assembly. (Fig.10)

Step 2. Attach the fan blade to the fan motor assembly using the three blade screws and three fiber washers securely. (Fig.10)

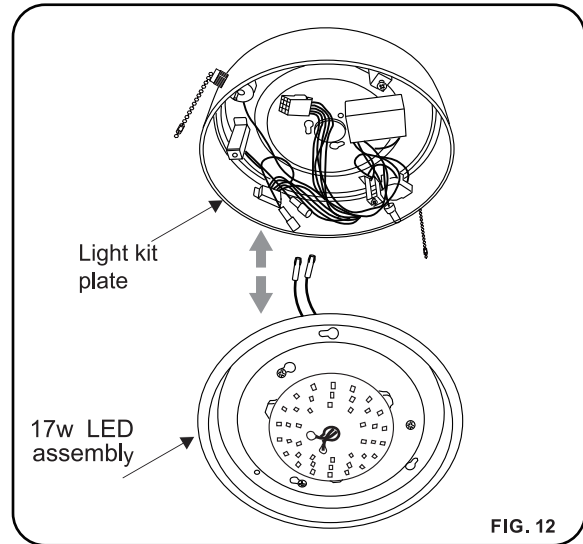
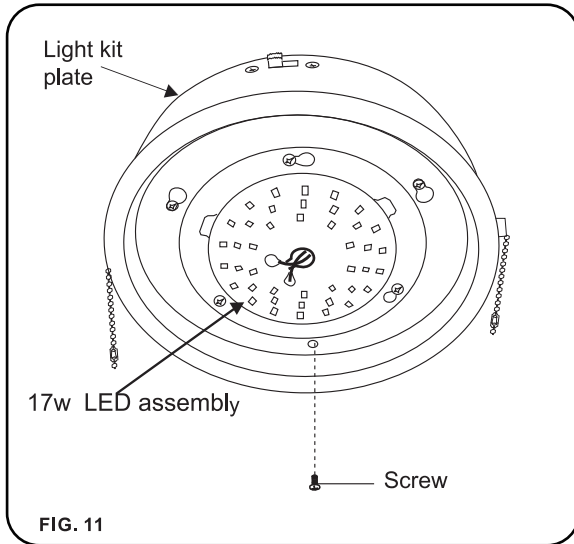
Step 3. Repeat this step with the other two blades. (Fig.10)



## Installing the light kit plate

Remove the screw from the circular hole and loosen the other two screws from key holes approximately 1/4 turn. Keep the screw that removed aside for use later. (Fig.11)

Turn the key holes of the 17W LED assembly from the two screws loosened previously and remove the 17W LED assembly from the light kit plate. (Fig.12)

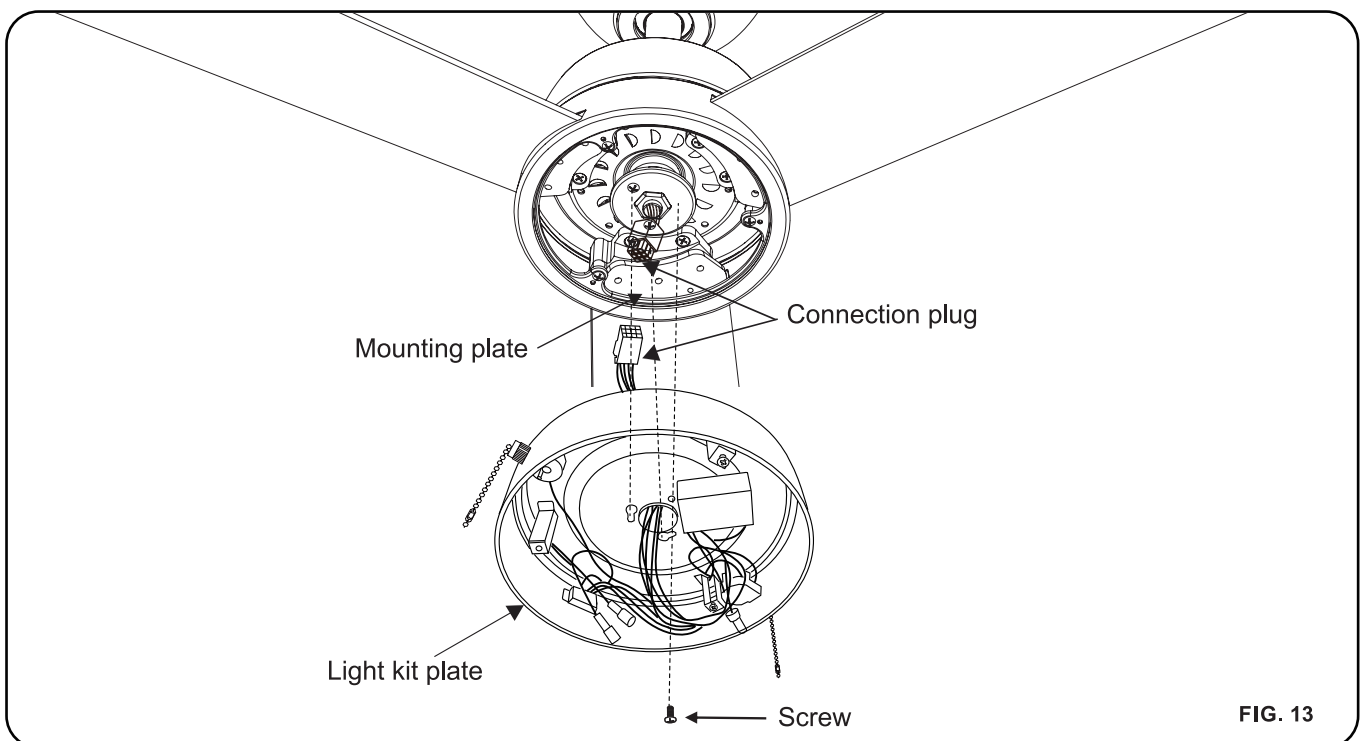


## Installing the light kit plate (continued)

While holding the light kit plate under your fan, firmly snap the wire connection plugs together.

Remove one of the screws from the mounting plate of the fan motor assembly and loosen the other two screws, but do not remove. (Fig.13)

Place the key holes from the light kit plate over the two screws previously loosened from mounting plate. Turn the light kit plate until it locks at the narrow section of the key holes. Secure by tightening the two screws previously loosened and the one screw previously removed. (Fig.13)

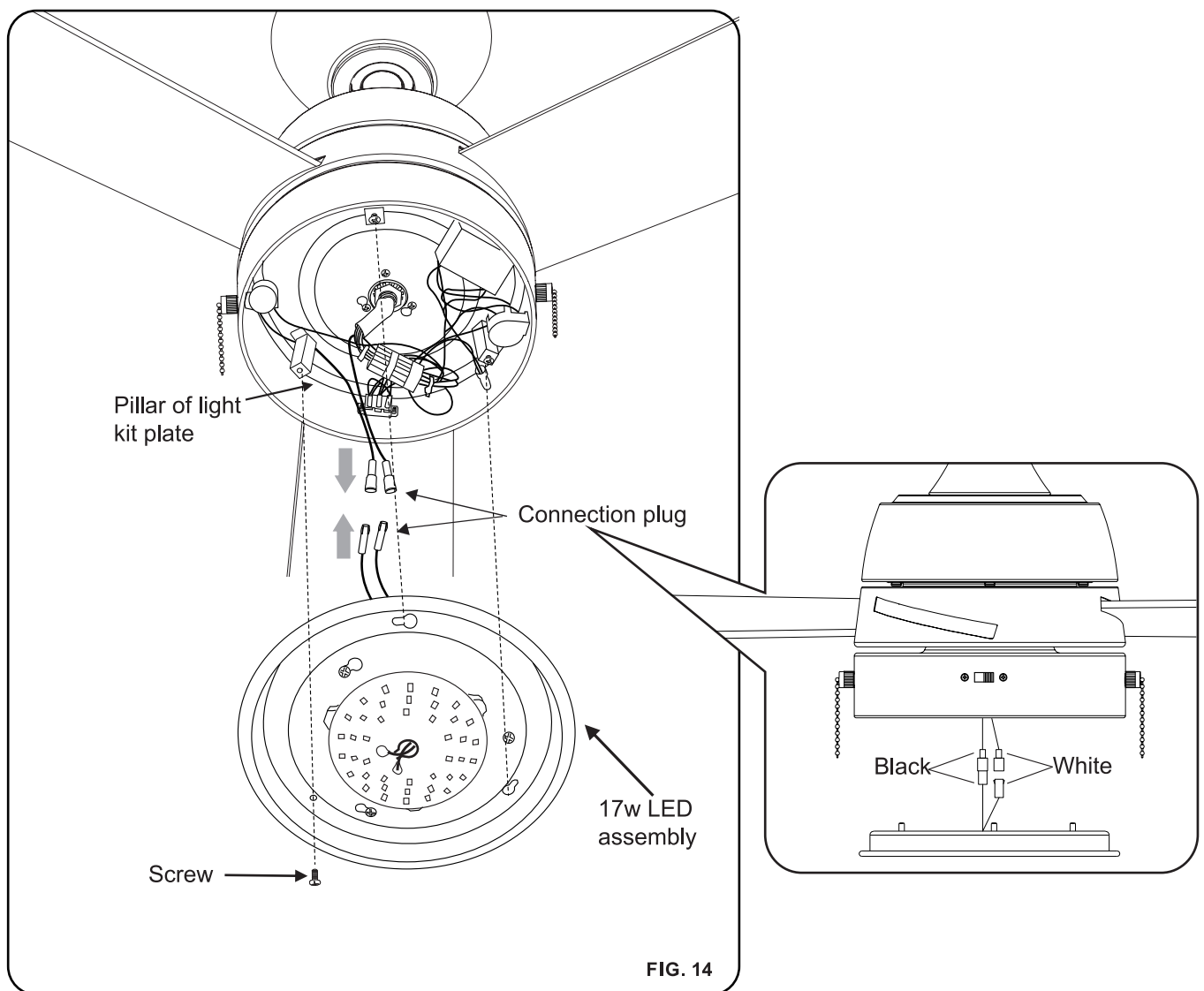


## Installing the 17W LED assembly

**CAUTION:** To Reduce The Risk Of Electric Shock, Disconnect The Electrical Supply Circuit To The Fan Before Installing Light Kit.

While holding the 17W LED assembly under your fan, firmly snap the black connector from the light kit plate to the black connector from 17W LED assembly and snap the white connector from the light kit plate to the white connector from the 17W LED assembly.

Place the key holes from the 17W LED assembly over the two screws previously loosened from the pillar of light kit plate. Turn the 17W LED assembly until it locks at the narrow section of the key holes. Secure by tightening the two screws previously loosened and the one screw previously removed.

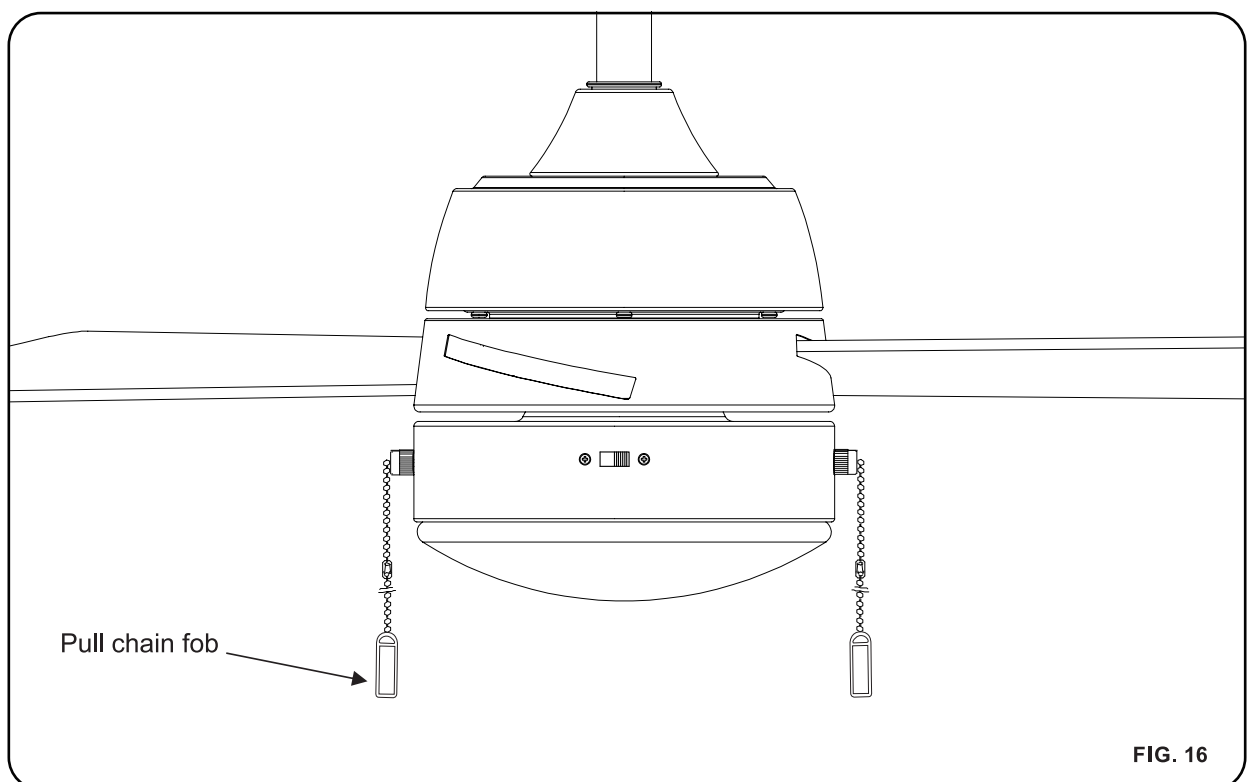
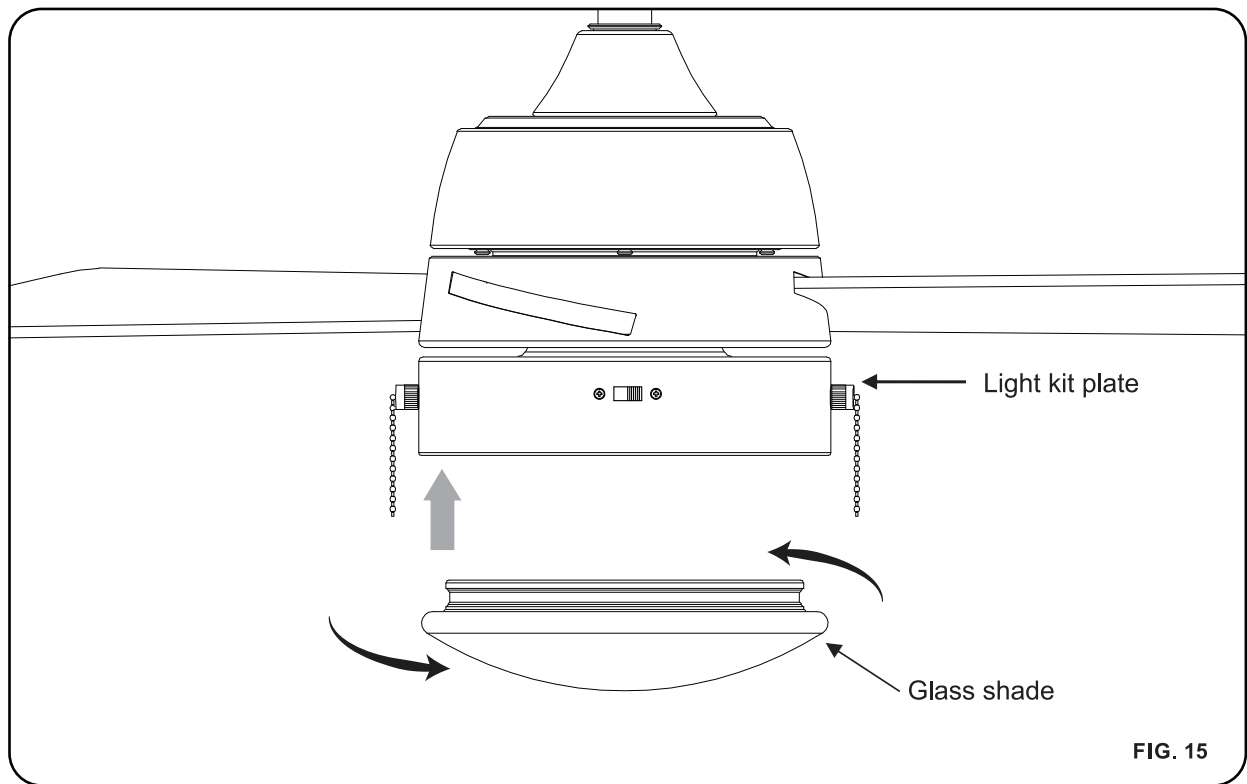




## Installing the glass shade

Attach the glass shade to the light kit plate by twisting but don't too tighten. (Fig.15)

Attach the pull chain fob to the chain on the light kit assembly. (Fig.16)



## Operation

Restore power to ceiling fan and test for proper operation.

Speed settings for warm or cool weather depend on factors such as the room size, Ceiling height, number of fans, etc.

The Reverse switch is located on light kit assembly (Fig.17). Slide the switch to the Left for warm weather operation. Slide the switch to the Right for cool weather operation.

**NOTE:** Wait for fan to stop before changing the setting of the slide switch.

### Warm weather- (Forward)

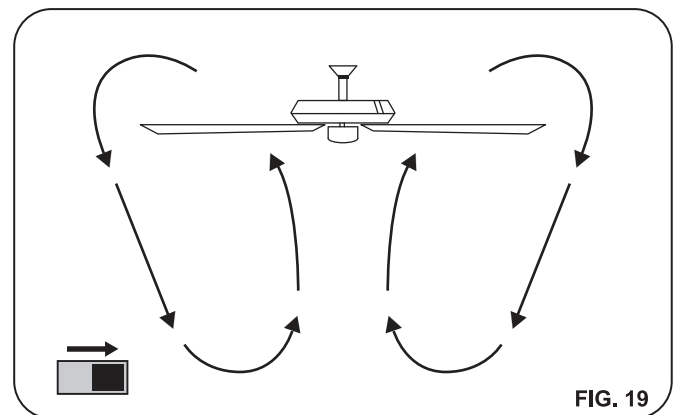
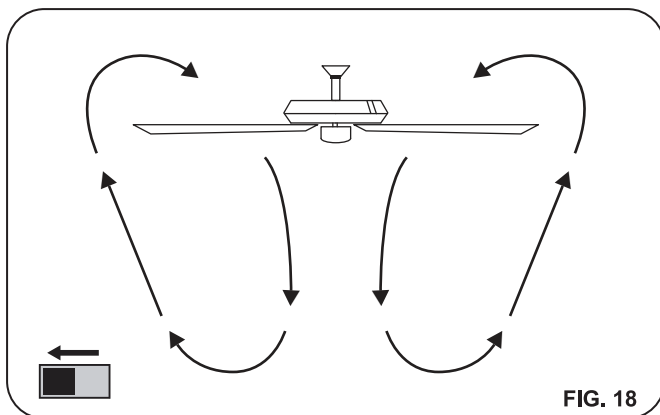
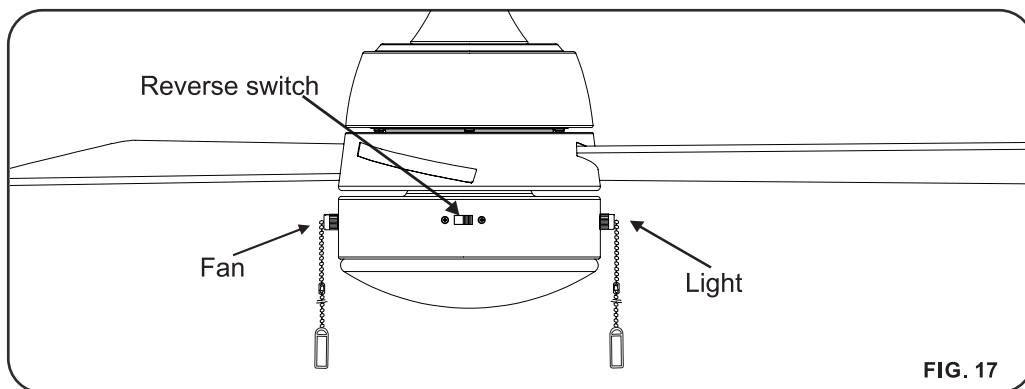
A downward airflow creates a cooling effect as shown in Fig.18. This allows you to set your air conditioner on a warmer setting without affecting your comfort.

### Cool weather- (Reverse)

An upward airflow moves warm air off the ceiling area as shown in Fig.19. This allows you to set your heating unit on a cooler setting without affecting your comfort.

The fan pull chain controls the fan speed as follows: 1st pull - High, 2nd pull - Med, 3rd pull - Low and 4th pull - Off.

The light kit pull chain controls the light kit in "ON" or "OFF".



## Care and Cleaning

Check the support connections, brackets, and blade attachments twice a year. Ensure they are secure. Because of the fan's natural movement, some connections may become loose over time. It is not necessary to remove the fan from the ceiling.

Clean your fan periodically. Use only a soft brush or lint-free cloth to avoid scratching the finish. The plating is sealed with a lacquer to minimize discoloration or tarnishing.

(Optional) Apply a light coat of furniture polish to the wood blades.

(Optional) Cover small scratches with a light application of shoe polish.

Do not use water when cleaning. Water could damage the motor, or the wood, or possibly cause an electrical shock.

Do not apply oil to your fan or motor. The motor has permanently-lubricated sealed ball bearings.

## Troubleshooting

Problem	Solution
The fan will not start.	Check main and branch circuit fuses or breakers.
	Check line wire connections to the fan and switch wire connections in the switch housing.
The fan sounds noisy.	Make sure all motor housing screws are snug.
	Make sure the screws that attach the fan blade arm to the motor hub are tight.
	Make sure wire nut connections are not rattling against each other or the interior wall of the switch housing.
	Allow a 24-hour "breaking-in" period. Most noises associated with a new fan disappear during this time.
	If using the ceiling light kit, make sure the screws securing the glassware are tight. Check that the light bulb is also secure.
	Make sure there is a short distance from the ceiling to the canopy. It should not touch the ceiling.
The fan wobbles.	Make sure your ceiling box is secure and rubber isolator pads are used between the mounting bracket and outlet box.
	Check that all blade and blade arm screws are secure.
	Most fan wobble problems are caused when blade levels are unequal. Check this level by selecting a point on the ceiling above the tip of one of the blades. Measure from a point on the center of each blade to the point on the ceiling. Rotate the fan until the next blade is positioned for measurement. Repeat for each blade. Measurements deviation should be within 1/8 in. Run the fan for 10 minutes.
	Use the enclosed blade balancing kit if the blade wobble is still noticeable.

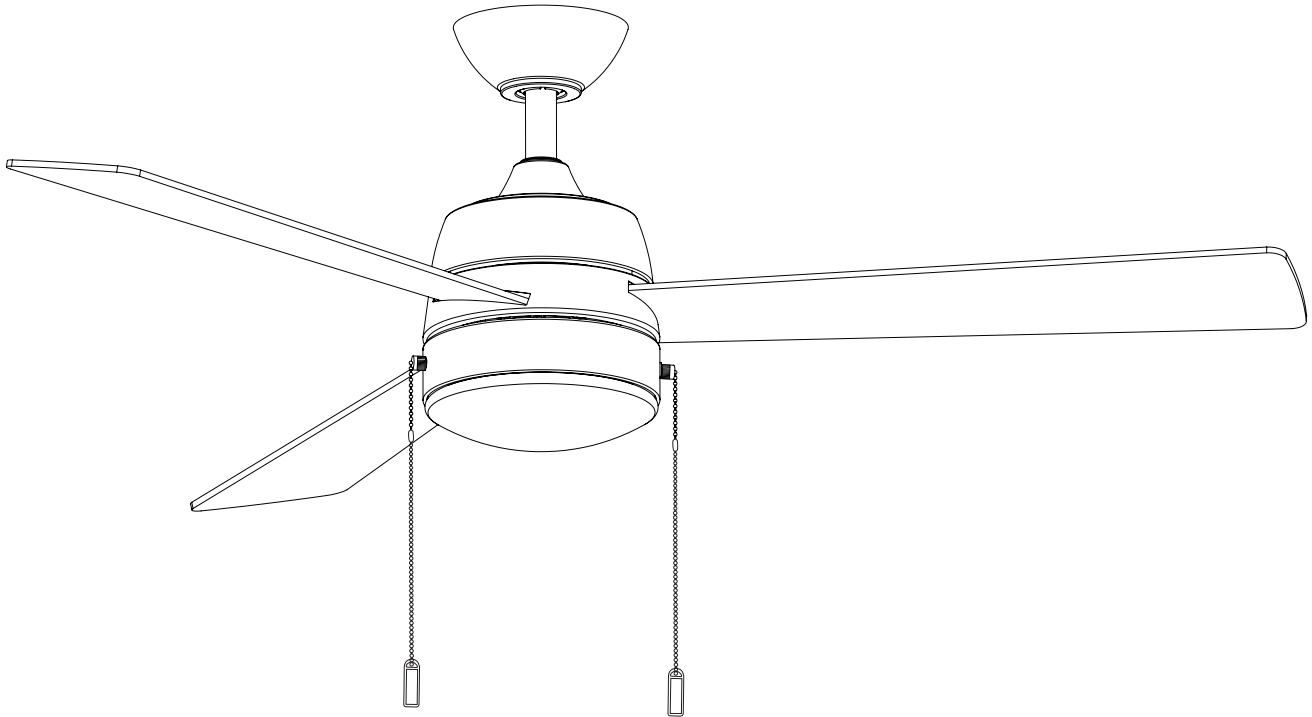


**Questions, problems, missing parts?** Before returning to your retailer, call our customer service department at **855-817-WIND (9463)**  
 8 a.m. - 5 p.m., EST, Monday-Friday  
 E-mail: [service@windriverus.com](mailto:service@windriverus.com)

# Wind River®

## 52" Nolan™

### Lea y guarde estas instrucciones



**¿Preguntas, problemas, partes perdidas?** Antes de volver a la tienda, llame a nuestro departamento de servicio al cliente al **855-817-WIND (9463)**

8 a.m. - 5 p.m., EST, Lunes-Viernes

E-mail: [service@windriverus.com](mailto:service@windriverus.com)



WR2014 SERIES

Velocidad	Voltios	Amperios	Vatios	RPM	CFM	N.W.	G.W.	C.F.
Baja	120	0.26	15.71	87	2005	5.7 kgs (12.54 lbs)	6.65 kgs (14.63 lbs)	1.276 ft.
Mediana		0.38	33.32	129	3085			
Alta		0.5	60.29	181	4192			

**NOTA:** Estas son mediciones aproximadas. No incluyen los Amperios y vatios usado por el juego de iluminación.

## Règles de sécurité

1. Para reducir el riesgo de electrocución, asegurarse de que la electricidad se ha desactivado en el cortacircuitos o caja de fusibles antes de comenzar.
2. Todos los cables deben cumplir con el Código Eléctrico Nacional "ANSI/NFPA 70-1999" y los códigos eléctricos locales. La instalación eléctrica debería realizarla un electricista profesional cualificado.
3. La caja de distribución y la estructura de soporte deben estar montados de manera segura y deben ser capaces de soportar, de manera confiable, un mínimo de 35 libras (15,9 kilogramos). Usar solamente cajas de distribución listadas por U.L. marcadas "PARA SOPORTE DE VENTILADORES".
4. EL ventilador debe estar montado con un mínimo de 7 pies (213cm) de espacio libre desde el borde posterior de las aspas hasta el piso.
5. Tras realizar las conexiones eléctricas, los conductores empalmados deberían girarse hacia arriba y meterse con cuidado en la toma de corriente. Los cables deberían separarse con el conductor a tierra y el conductor de tierra del equipo por un lado de la toma de corriente y el conductor no conectado a tierra en el otro lado de la toma de corriente.
6. Todos los tornillos deberían ser comprobados y revisados antes de la instalación.



**ADVERTENCIA:** Por reducir el riesgo de descargas eléctricas o incendios, no utilice este ventilador con ningún controlador de velocidad del ventilador de estado sólido. Por favor, póngase en contacto con el distribuidor o con Wind River llamando al **855-817-WIND (9463)** si utilice el mando de estado sólido a distancia.

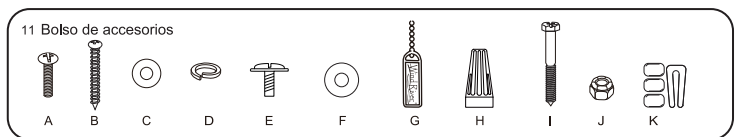
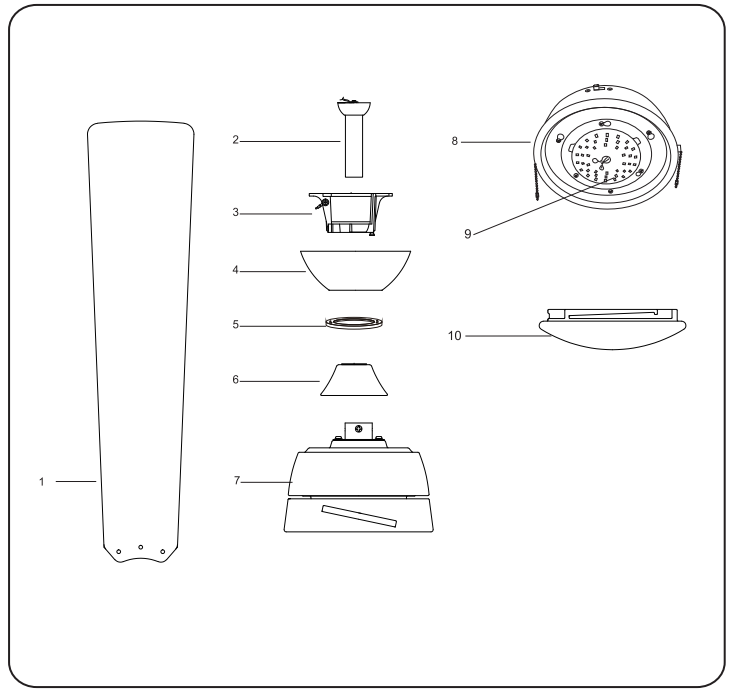


**ADVERTENCIA:** Para reducir el riesgo de fuego, descarga eléctrica o lesiones personales, monte el ventilador a una toma de corriente marcada como compatible para soportar un ventilador con los tornillos incluidos en la toma de corriente.

## Contenidos en paquete

Desembalar el ventilador y revisar el contenido. Vease pagina 2. Debe tener los siguientes elementos:

1. Hoja (3)
2. Conjunto de varilla (1)
3. Soporte de montaje (1)
4. Tapa (1)
5. Tapa de cubierta (1)
6. Cubierta de acoplamiento (1)
7. Conjunto de motor de ventilador (1)
8. Placa del conjunto de luz (1)
9. Ensamblaje de LED de 17W (premontado) (1)
10. Pantalla dw vidrio (1)
11. El bolso de accesorios incluye:
  - A: Tornillo de máquina (2)
  - B: Tornillo de madera (2)
  - C: Arandela de metálica (2)
  - D: Arandela de seguridad (2)
  - E: Tornillo de hoja (9+1 repuesto)
  - F: Arandela de fibra (9+1 repuesto)
  - G: Cadena de tirada (2)
  - H: Tuerca de alambre plástica (3)
  - I: Perno de seguridad (1)
  - J: Tuerca (1)
  - K: Conjunto de balanceo (1)



## Comenzando la instalacion

Herramientas necesarias: Un desarmador plano, un desarmador de cruz, cortadoras de alambre, cinta aislante.

### OPCIONES DE MONTAJE

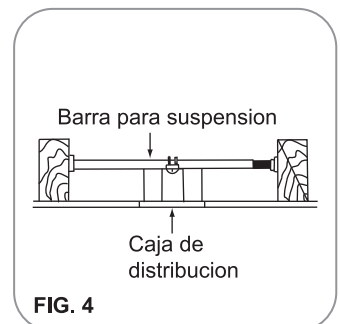
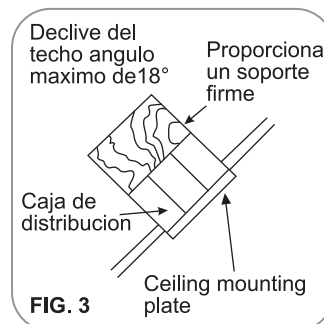
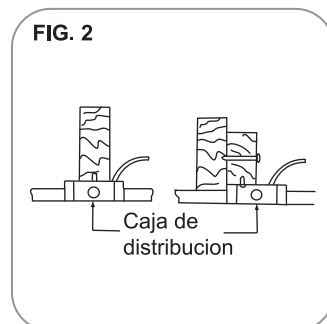
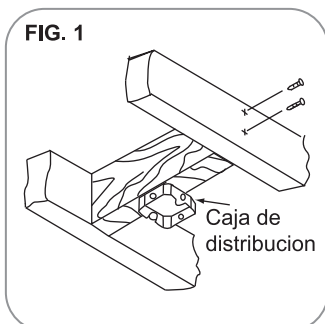
Si no existe una caja de distribucion instalada, siga las siguientes instrucciones. Desconecte la energía eléctrica apagando los interruptores del circuito o sacando los fusibles.

Asegure la caja de distribucion directamente en la estructura del edificio. Use los soportes y materiales de construccion apropiados. La caja de distribucion y soporte deben de ser capaces de soportar todo el peso en movimiento del ventilador (minimo de 35 libras). Use una caja de metal que esté aprovada por UL marcada "Acceptable for Ceiling Fan Support". No use cajas de distribucion de plástico.

Las ilustraciones 1, 2 y 3 muestran alternativas diferentes para montar la caja de distribucion.

Nota: Por favor, póngase en contacto con el distribuidor o con Wind River en el **855-817-WIND (9463)** si necesita una varilla regulable más larga para mantener la holgur adecuada de las palas cuando lo instale en un techo inclinado.

Para colgar su ventilador donde anteriormente había una lámpara pero no hay viga, podria necesitar instalar una abrazadera de soporte como se muestra en la ilustracion 4.



## Colgando el ventilador

**Advertencia:** Utilice todas piezas metálicas y componentes proporcionados por Wind River. El uso de otras piezas metálicas o componentes no suministrados por Wind River con el ventilador, se anulará la Garantía de Wind River

**RECORDAR:** Apagar la energía eléctrica en el circuito principal o en la caja de fusibles:

Paso 1. Fije la soporte de montaje a la caja de salida con dos tornillos y arandelas suministrados con la caja de salida. Asegúrese de que la soporte de montaje este apretada y asegurada.(Fig.5)

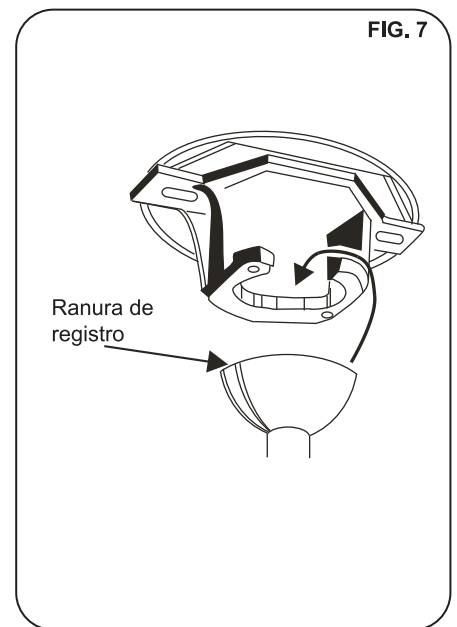
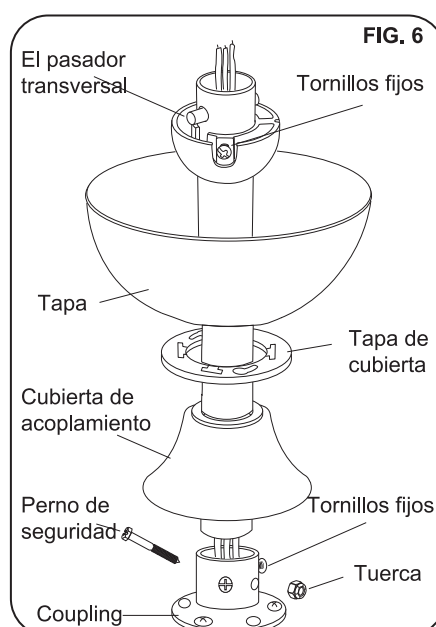
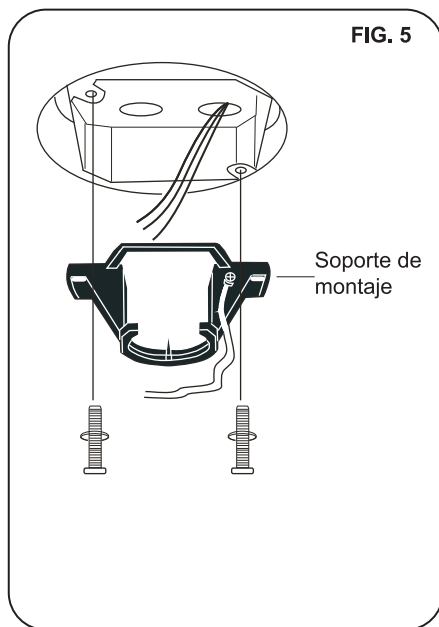
Paso 2. Afloje los dos tornillos de fijación del acoplamiento del conjunto del motor del ventilador del motor. (Fig.6)

Paso 3. Quite la bola de suspensión de la varilla por aflojando el tornillo de fijación de la bola de suspensión, y quitando el pasador transversal, entonces deslizando la bola de suspensión fuera de la varilla. (Fig.6)

Paso 4. Proporcione los cables del ventilador a través de la varilla cuidadosamente. (Fig.6). Atornillo la varilla en el acoplamiento del conjunto del motor del ventilador. Inserte el perno de seguridad en el acoplamiento y la varilla e instale la tuerca. Apriete bien. Entonces apriete los tornillos de fijación.

Paso 5. Deslice la cubierta de acoplamiento, la tapa de cubierta, y la tapa en la varilla (Fig.6).Y vuelva a instalar la bola de suspensión cuidadosamente en la varilla, entonces por favor asegúrese de que el pasador transversal esté en la posición correcta, los tornillos de fijación estén apretados, y los alambres no sean torcidos.

Paso 6. Levante el conjunto del motor del ventilador en la posición, y coloque la bola de suspensión en el soporte de montaje. Gire el conjunto del motor del ventilador hasta que la ranura de prueba estén en la ranura de registro y lo coloque firmemente.(Fig.7) Debe girar la varilla en caso de falla operación.





## Conexiones eléctricas

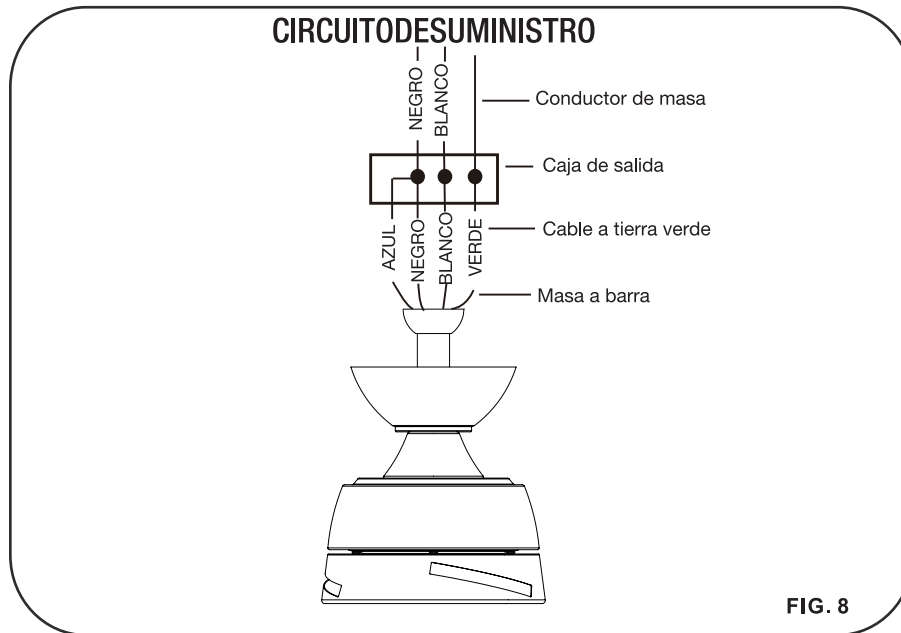
**RECORDAR** no se olvide de desconectar la energía eléctrica en el circuito principal o en la caja de fusibles.

Siga los siguientes pasos para conectar el ventilador a los alambres de la casa que suministran la energía eléctrica. Use los conectores de alambres que vienen con su ventilador. Para que los conectores queden firmes, envuelva la conexión con cinta aislante.

Paso 1. Conecte el alambre negro (con corriente) del techo a los alambres negro y azul del ventilador.

Conecte el alambre blanco (NEUTRAL) del techo al alambre blanco del ventilador. (Fig. 8)

Paso 2. Si su caja de distribución tiene un alambre a tierra (verde o de cobre) conecte los alambres a tierra del ventilador (en la bola de suspensión o soporte de montaje) al alambre a tierra de la caja de distribución. Si no tiene alambre a tierra en su caja de distribución, conecte el alambre a tierra de la bola de suspensión de soporte directamente a la soporte de montaje. (Fig. 8)



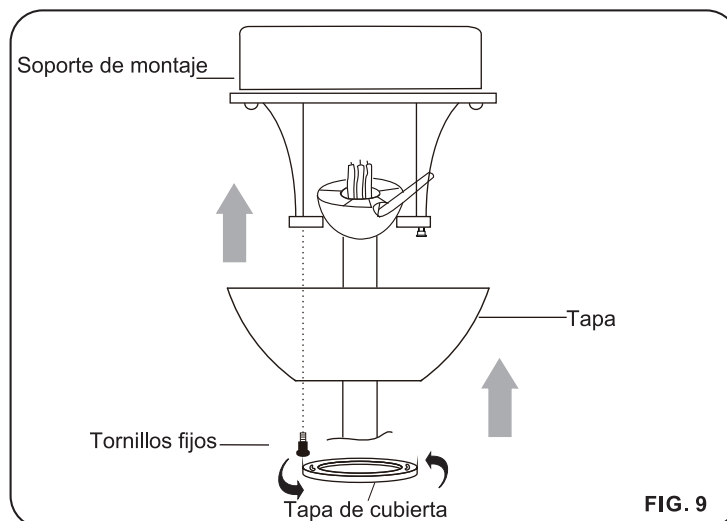
## Terminando la instalación

Paso 1. Quite un tornillo del soporte de montaje y afloje el otro tornillo por 1/4 de vuelta más o menos.

Paso 2. Levante la tapa con mucho cuidado al soporte de montaje, y compruebe que el tornillo aflojado haya insertado en el agujero de la llave en la tapa. Gire la tapa en sentido horario. (Fig. 9)

Paso 3. Fije la tapa (C) por reemplazando el tornillo previamente quitado y apretando el tornillo previamente aflojado. (Fig. 9)

Paso 4. Coloque la cubierta de tapa en la misma y gire la cubierta de tapa en el sentido de la aguja del reloj hasta que él bloquee en su posición. (Fig. 9)

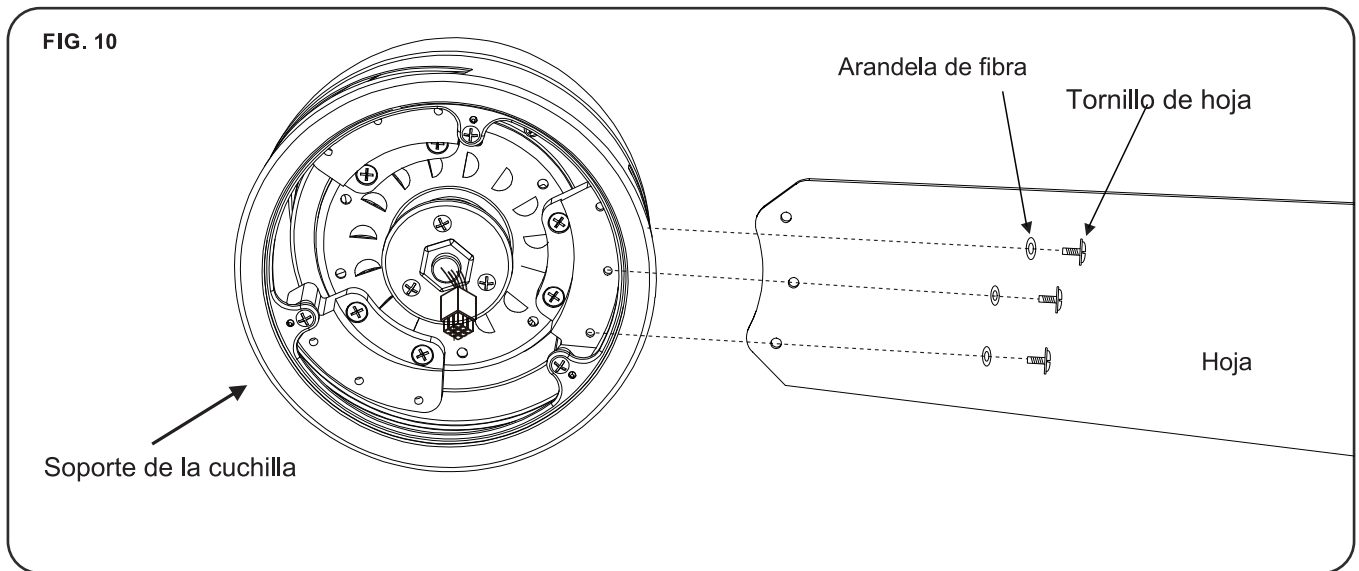


## Instalación de las hojas

Paso 1. Inserte la aspa a través de la ranura en el ensamblaje del motor del ventilador. (Fig.10)

Paso 2. Sujeta la aspa del ventilador al conjunto del motor del ventilador utilizando los tres tornillos de la aspa y las tres arandelas de fibra de forma segura. (Fig.10)

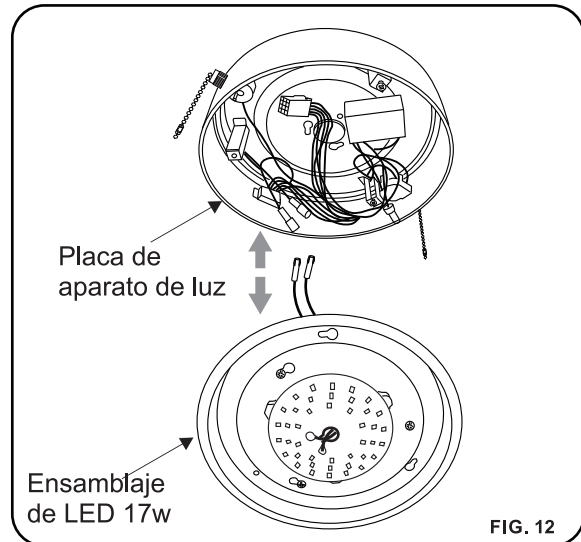
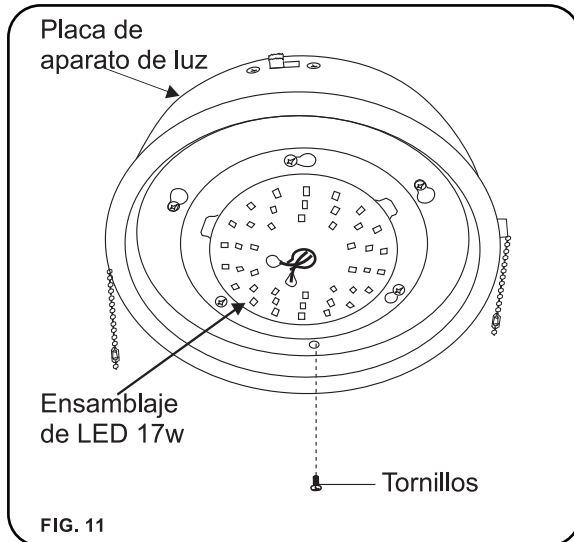
Paso 3. Repita este paso con las otras dos aspas. (Fig. 10)



## Instalar la placa del conjunto de luz

Retire el tornillo del orificio circular y afloje los otros dos tornillos de los orificios de llave aproximadamente 1/4 de vuelta. Mantenga el tornillo que quito a un lado para usarlo mas tarde. (Fig.11)

Gire los orificios de llave del conjunto de LED de 17W desde los dos tornillos que se aflojaron previamente y retire el conjunto de LED de 17W de la placa de aparato de luz. (Fig.12)



## Instalar la placa del conjunto de luz (continuada)

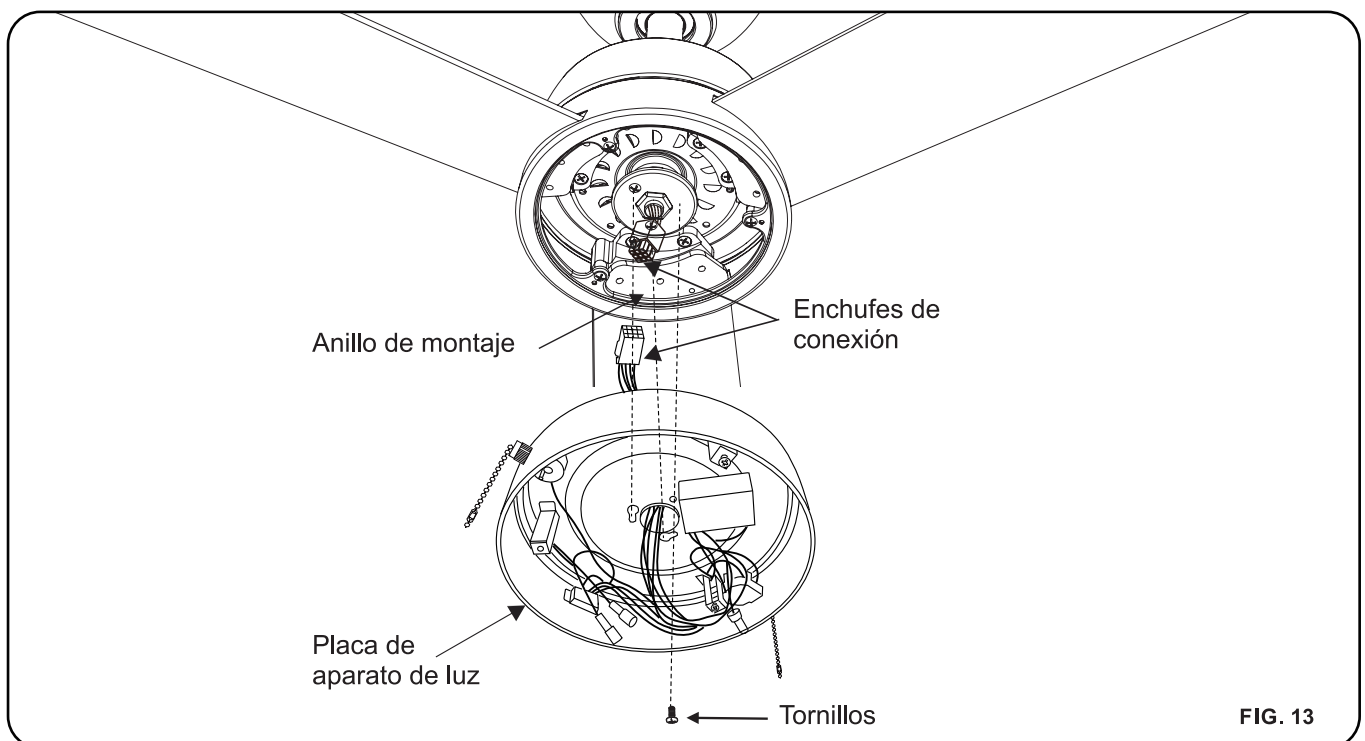
Mientras que sostiene la placa de aparato de luz debajo de su ventilador, encaje los enchufes de conexión de los cables firmemente.

Retire uno de los tornillos de la placa de montaje del conjunto del motor del ventilador y afloje los otros dos tornillos sin quitarlos. (Fig.13)

Coloque los orificios de llave de la placa de conjunto de luz sobre los dos tornillos que se aflojaron previamente de la placa de montaje.

Gire la placa de conjunto de luz hasta que encaje en la sección estrecha de los orificios de llave.

Asegúrela apretando los dos tornillos que se aflojaron previamente y el tornillo que se quitó anteriormente. (Fig. 13)

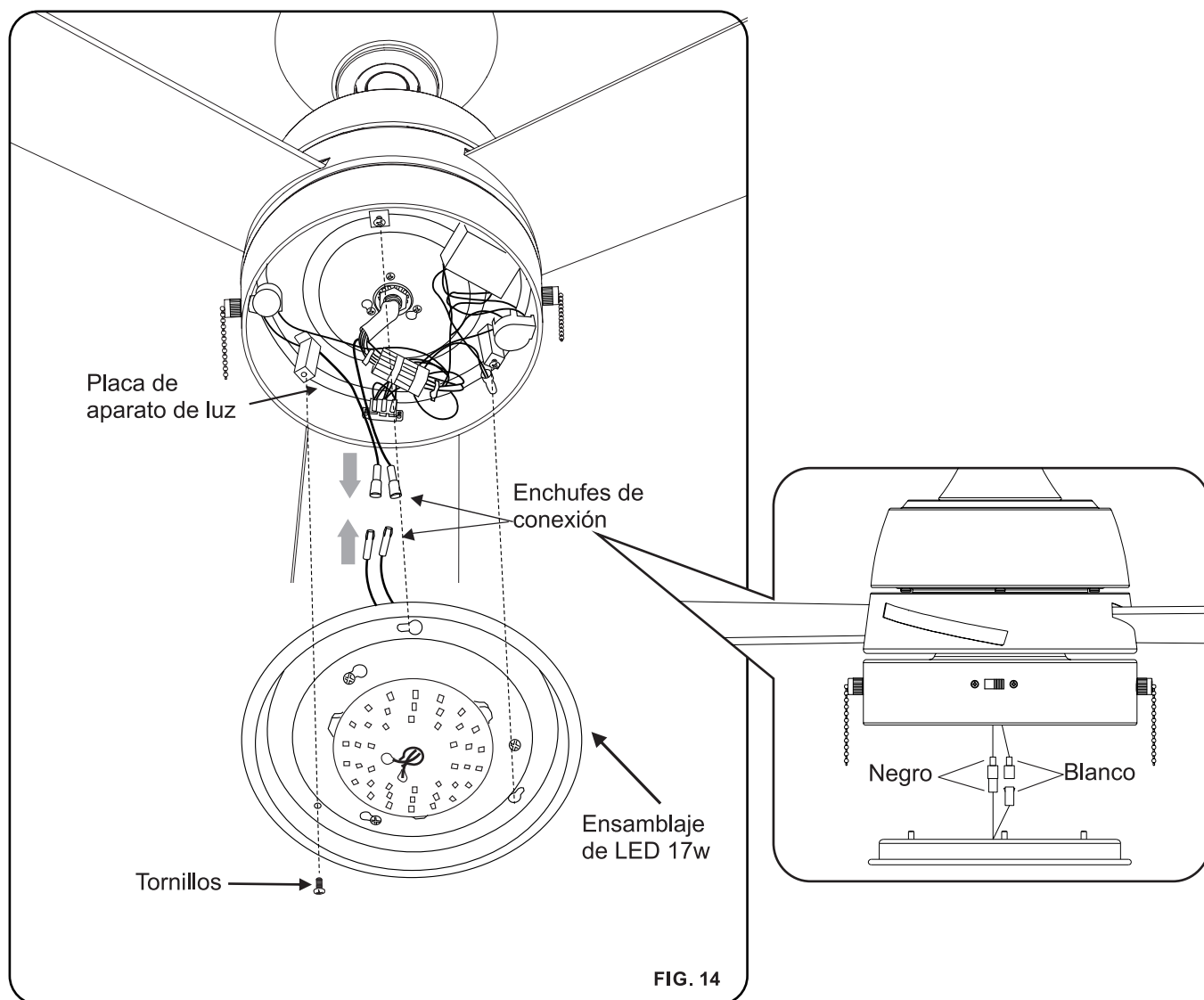


## Instalar el ensamblaje de led de 17W

**PRECAUCIÓN:** Para reducir el riesgo de descarga eléctrica, desconecte el circuito de alimentación del ventilador antes de instalar el conjunto de luz.

Mientras que sostiene el conjunto de LED de 17W debajo del ventilador, encaje firmemente el conector negro de la placa de conjunto de luz en el conector negro del conjunto de LED de 17W y el conector blanco de la placa de conjunto de luz en el conector blanco del conjunto de LED de 17W.

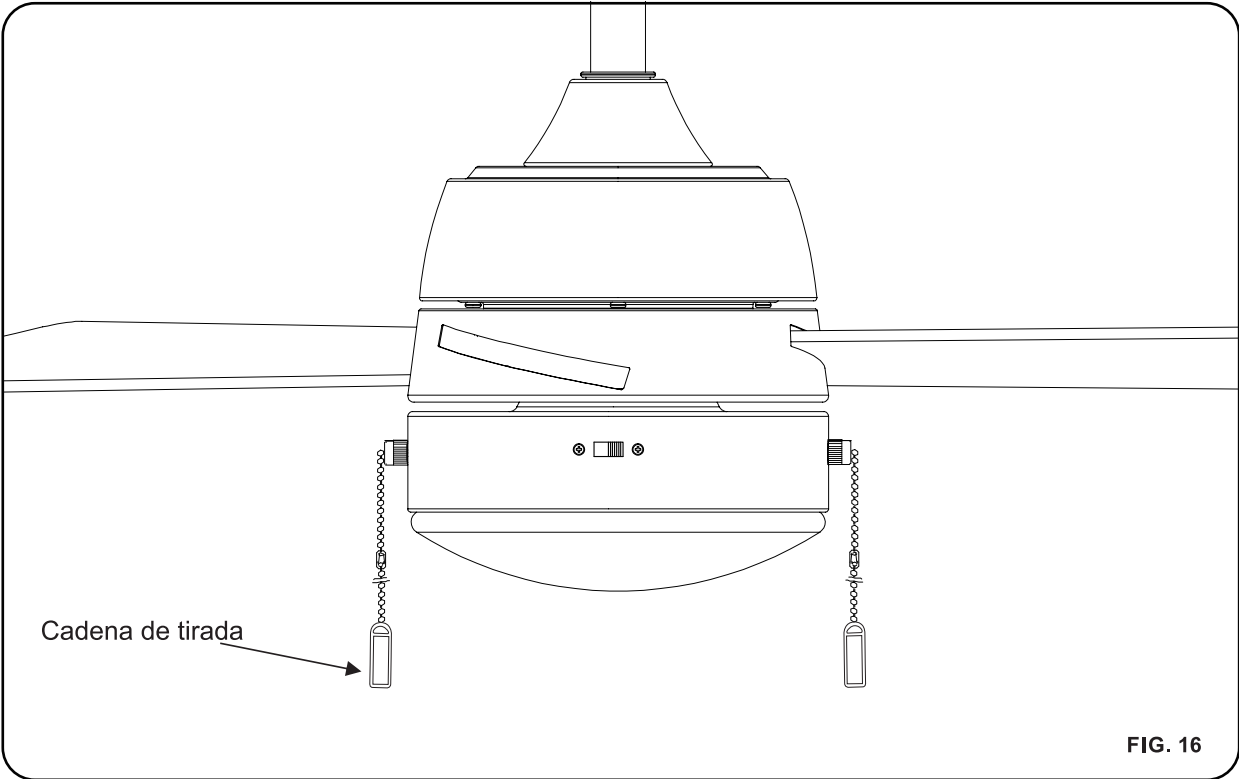
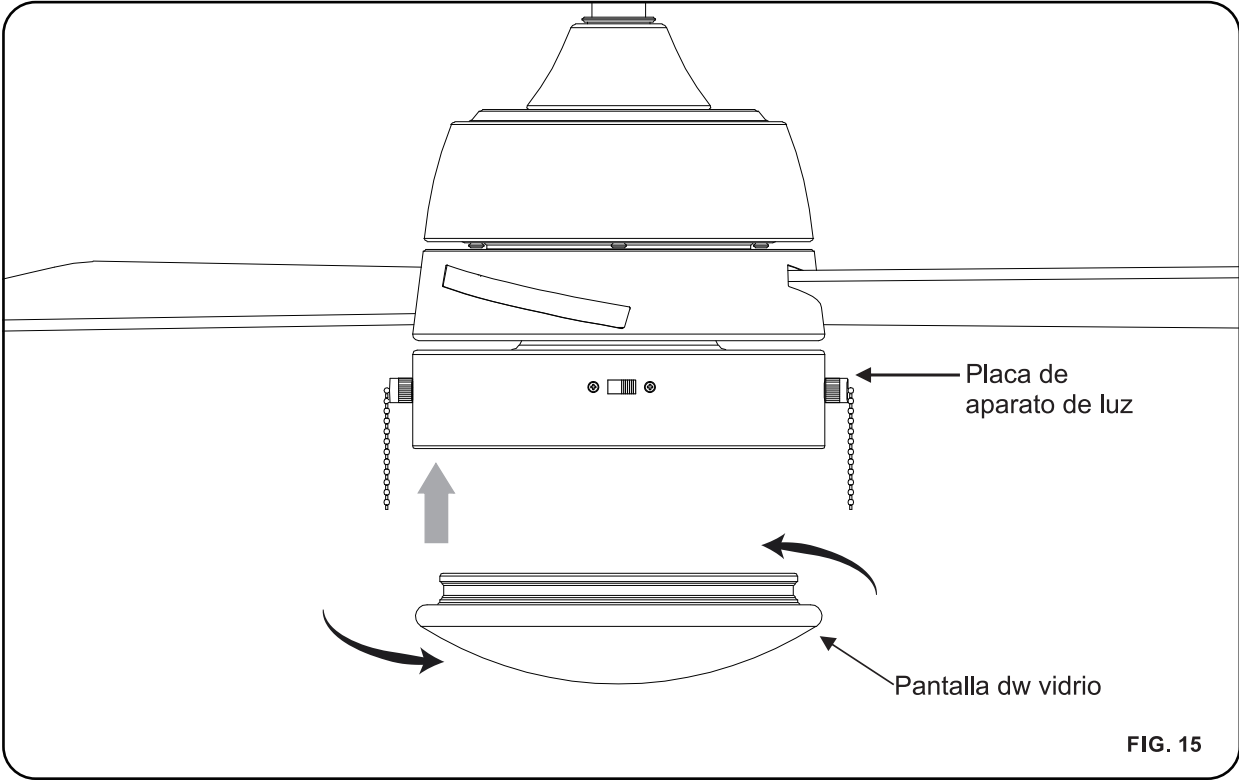
Coloque los orificios de llave desde el conjunto de LED de 17W sobre los dos tornillos que se aflojaron previamente del pilar de la placa de conjunto de luz. Gire el conjunto de LED de 17W hasta que encaje en la sección estrecha de los orificios de llave. Asegúrelo apretando los dos tornillos que se aflojaron previamente y el tornillo que se quitó anteriormente.



## Instalar pantalla de vidrio

Fije la pantalla de vidrio a la placa del kit de iluminación girándola, pero no la apriete demasiado. (Fig.15)

Conecte el llavero de la cadena de tracción para la cadena en la caja del interruptor. (Fig.16)



## Operación

Restablezca al energía eléctrica al ventilador.

Los ajustes de velocidad para clima caliente o frío dependen de factores como el tamaño del cuarto, la altura del techo, cantidad de ventiladores, etc.

Se localiza el inversor en el conjunto del ensamblaje de motor del ventilador (Fig.17).

Deslice el interruptor hacia la abajo para la operación en clima cálido. Deslice el interruptor hacia la arriba para operar en climas fríos.

**NOTA:** Espere que el ventilador se detenga antes de cambiar la dirección de las Aspas.

**Clima Caliente (Adelante)** Una corriente de aire descendiente crea un efecto refrescante como se muestra en la (Fig.18) esto permite ajustar el aire acondicionado a una temperatura mas alta sin que esto afecte su bienestar.

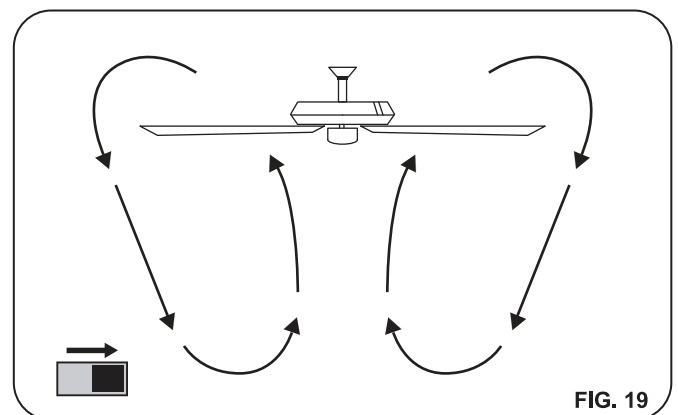
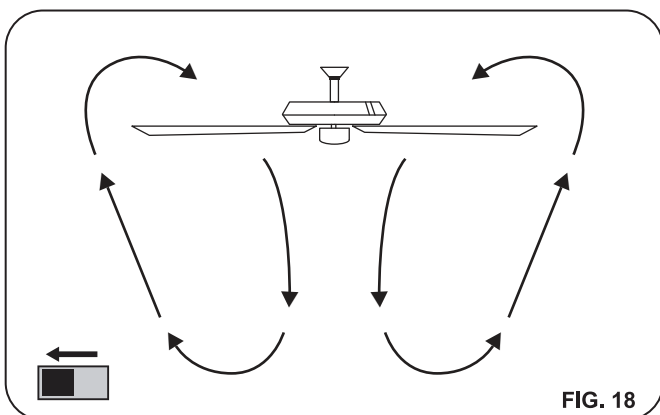
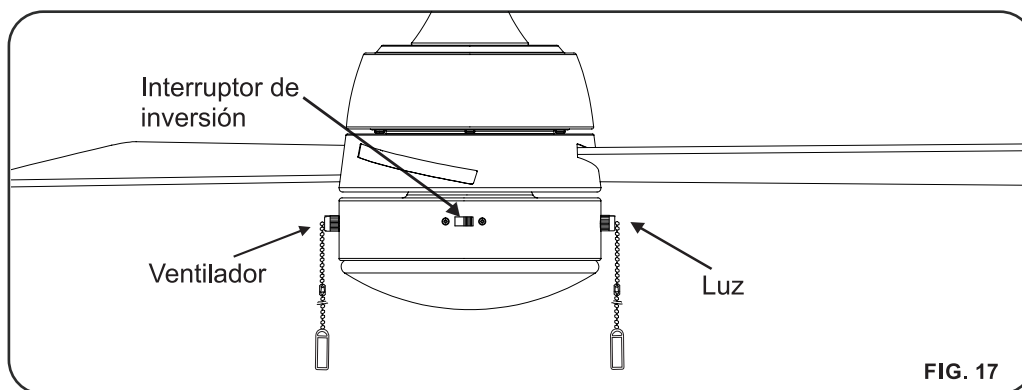
**Clima Frío (Reversa)** Una corriente de aire ascendiente empuja el aire caliente del área del techo como se muestra en la (Fig. 19) esto permite ajustar la calefacción a una temperatura mas baja sin que esto afecte su bienestar.

Este interruptor de cadena controla las velocidades de la manera siguiente:

1-Jalon = Velocidad Alta 2-Jalones = Velocidad Media

3-Jalones = Velocidad Baja 4-Jalones = Ventilador apagado

Cordón del juego de luz-controla el juego de luz para "encendido" o "apagado".



## Solución de averías

Problema	Solución
El ventilador no funciona	Revisar los fusibles o interruptores de circuitos.
	Verificar las conexiones de cables de línea al ventilador y conexiones de cable del interruptor.
El ventilador emiteruido	Asegurarse de que todos los tornillos de la cubierta del motor estén ajustados.
	Asegurarse de que los tornillos que sujetan el soporte de aspas del ventilador al eje del motor estén apretados.
	Asegurarse de que las conexiones de tuercas para cable no esten rozando unas contra otras o contra la pared interior de la cubierta protectora del interruptor.
	Permitir un período de "desgaste" de 24 horas. La mojaría de los ruidos asociados con un ventilador nuevo desaparecen durante este tirmo.
	Si se está usando un juego opcional de iluminación para el venitlador de techo, asegurarse de que los tornillos que aseguran el vidrio estén apretados. Asimismo, verificar que la bombilla esté segura.
	Asegurarse de que el escudete superior esté a una corta distancia del techo. No debe hacer contacto con el techo.
	Asegúrese de que la caja del techo esté fija y que las almohadillas aislantes de goma estén colocadas entre el soporte de montaje y la toma de corriente.
Las oscilaciones de ventilador	Verifique si todas las hojas y los tornillos de brazo de hoja sean fijados.
	La mayoría de los problemas sobre la oscilación es causada cuando los niveles de hoja son irrregulares. Veri□que el nivel por seleccionando un punto del techo encima del extremo de una de las hojas. Y tome la medidas desde un punto en el centro de caja hoja al punto del techo. Gire el ventilador hasta que la hoja siguiente sea situada para la medida. Repite por caja hoja. La desviación de las medidas debe estar dentro de 1/8 pulgadas. Y funcione el ventilador por diez minutos.
	Utilice el conjunto de balanceo de hoja adjuntivo si la oscilación de hoja todavía es notable.



**¿Preguntas, problemas, partes perdidas?** Antes de volver a la tienda, llame a nuestro departamento de servicio al cliente al **855-817-WIND (9463)**  
 8 a.m. - 5 p.m., EST, Lunes-Viernes  
 E-mail: [service@windriverus.com](mailto:service@windriverus.com)

## Cuidado y Limpieza

Verifique las conexiones de soporte, soportes y equipos de hoja dos veces por un año. Y asegúrese de fijarlos bien. Debido al movimiento natural del ventilador, unas conexiones puedan aflojarse por un tiempo. No es necesario de quitar el ventilador del techo.

Limpie el ventilador periódicamente. Sólo utilice un paño suave o libre de hilas para evitar la rascadura del acabado. El revestimiento se selle con barniz para minimizar la descoloración o deslustre.

(Opcional) Aplique una capa ligera de lustre de mueble en las hojas de madera.

(Opcional) Cubre las rascaduras pequeñas con unos lustres de zapatos.

No pueda utilizar aguas a la limpieza. El agua pueda dañar el motor, la madera o causar un choque eléctrico posiblemente.

No pueda aplicar aceite en el ventilador o el motor. Los rodamientos de bolas del motor han sido lubricados permanentemente.