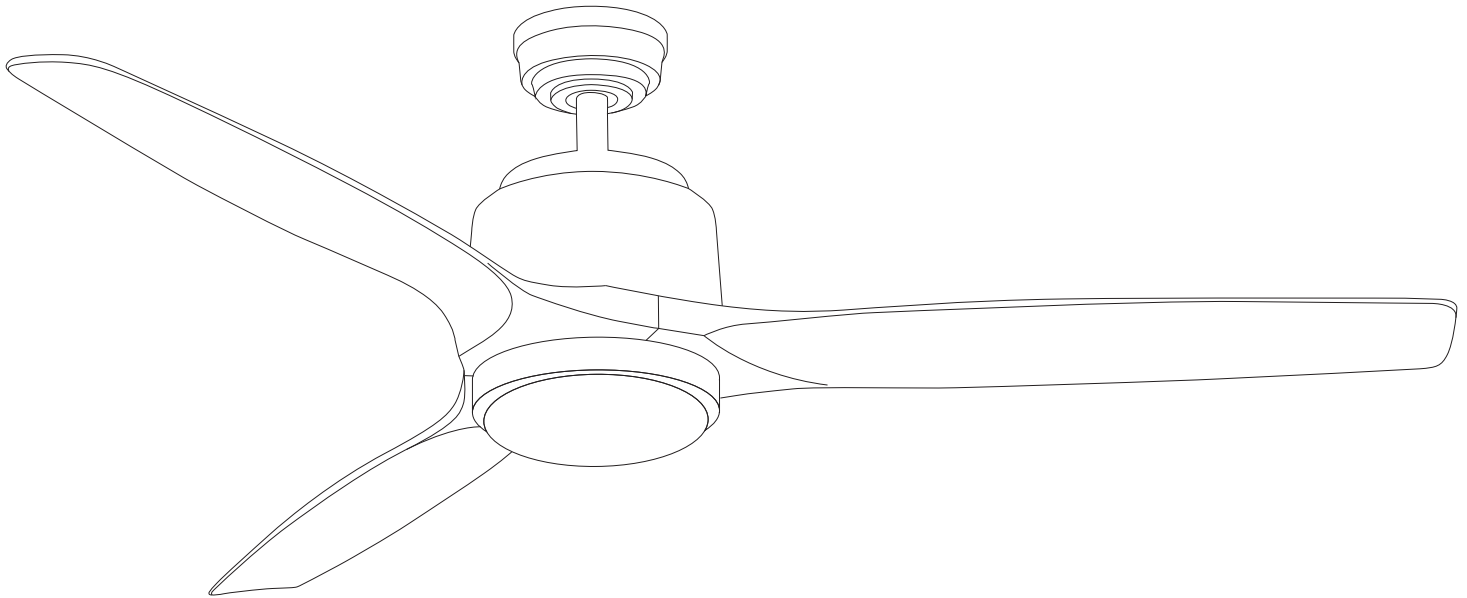


Wind River®

56" REYA™

Read and save these instructions



Questions, problems, missing parts? Before returning to your retailer, call our customer service department at **855-817-WIND (9463)**

8 a.m. - 5 p.m., EST, Monday-Friday

E-mail: service@windriverus.com



Intertek

WR1765 SERIES

Speed	Volts	Amps	Watts	RPM	CFM	N.W.	G.W.	C.F.
Low	120	0.25	16.56	66	2269	8.13 kgs (17.89 lbs)	9.27 kgs (20.39 lbs)	3.56 ft.
Medium		0.34	27.33	95	3699			
High		0.48	57.98	148	5655			

NOTE: These are approximate measures. They do not include amps and wattage used by the light kit.

340644010281

Safety tips

1. To reduce the risk of electric shock, ensure electricity has been turned off at the circuit breaker or fuse box before beginning.
2. All wiring must be in accordance with the National Electrical Code “ANSI/NFPA 70-1999” and local electrical codes. Electrical installation should be performed by a qualified licensed electrician.
3. The outlet box and support structure must be securely mounted and capable of reliably supporting a minimum of 35 lbs. Use only UL Listed outlet boxes marked “FOR FAN SUPPORT.”
4. The fan must be mounted with a minimum of 7 ft. clearance from the trailing edge of the blades to the floor.
5. After making electrical connections, spliced conductors should be turned upward and pushed carefully up into the outlet box. The wires should be spread apart with the grounded conductor and the equipment-grounding conductor on one side of the outlet box and ungrounded conductor on the other side of the outlet box.
6. All setscrews must be checked and retightened where necessary before installation.



WARNING: To reduce the risk of electrical shock or fire, do not use this fan with any solid-state fan speed control device. Please contact with dealer or Wind River at **855-817-WIND (9463)** if using solid-state remote.

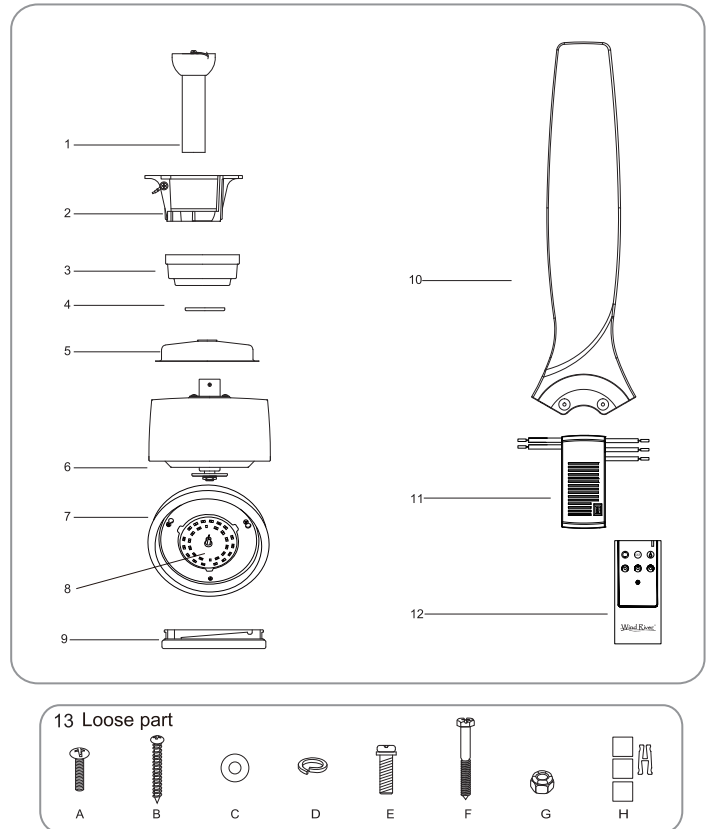


WARNING: To reduce the risk of fire, electric shock, or personal injury, mount the fan to the outlet box marked acceptable for fan support with the screws provided with the outlet box.

Package contents

Unpack your fan and check the contents. See page 2. You should have the following items:

1. Downrod assembly (1)
2. Mounting bracket (1)
3. Canopy (1)
4. Canopy cover (1)
5. Coupling cover (1)
6. Fan motor assembly (1)
7. Light kit plate (1)
8. 18W LED assembly (1) (pre-assembly in #7)
9. Glass shade (1)
10. Blade (3)
11. Receiver with 6 wire nuts (1)
12. Transmitter + holder + 2 mounting screws + A23 12 volt battery (1)
13. Loose parts bag containing
 - A: Machine screw (2)
 - B: Wood screw (2)
 - C: Metal washer (2)
 - D: Lock washer (2)
 - E: Blade screw (7)
 - F: Safety bolt (1)
 - G: Nut (1)
 - H: Balancing kit (1)



Begin installation

Tools Required: Phillips screw driver; slotted screw driver; pliers; wire cutters; electrical tape.

MOUNTING OPTIONS

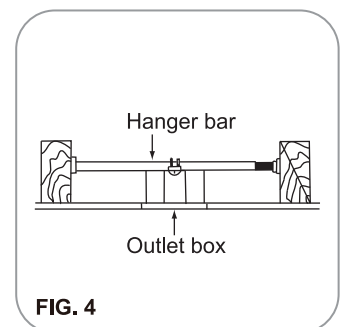
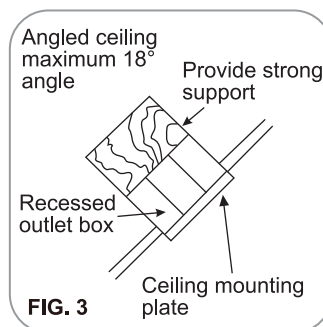
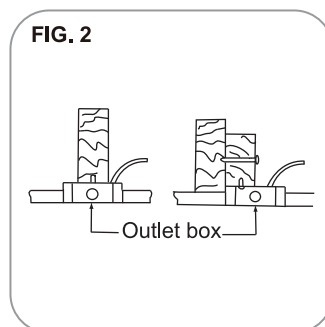
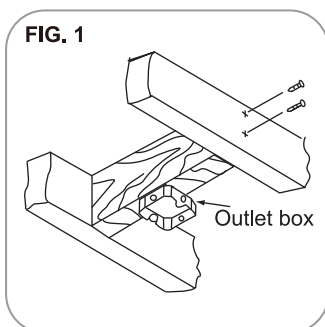
If there isn't an existing outlet box, then read the following instructions. Shut the power off at the circuit breaker or fuse box.

Secure the outlet box directly to the building structure. Use appropriate fasteners and building materials. Only use a U.L. Listed metal outlet box marked "Acceptable for ceiling fan support" to install the ceiling fan. Do not use a plastic outlet box or other device.

Figures 1, 2 and 3 are examples of different ways to mount the outlet box.

Note: Please contact with dealer or Wind River at **855-817-WIND (9463)** if you need a longer downrod to maintain proper blade clearance when installing on a steep, sloped ceiling.

To hang your fan where there is an existing fixture but no ceiling joist, you may need to install a hanger bar as shown in Fig. 4.



Blade installation

Step 1. Attach the fan blades to the fan motor assembly using the blade screws and tighten them securely. (Fig.6)

Step 2. Repeat this step for the other blades. (Fig.7)

Hanging the fan

WARNING: Please use all of the parts hardware and components provided by Wind River. The use of other parts, hardware or components not supplied by Wind River with the fan will void the Wind River Warranty.

REMEMBER to turn off the power. Follow the steps below to hang your fan properly:

Step 1. Attach the mounting bracket to the outlet box with two screws and washers provided with the outlet box. Make sure the mounting bracket is tight and secured. (Fig.5)

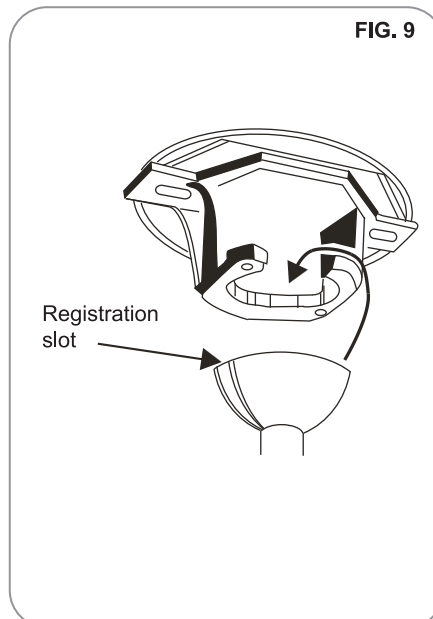
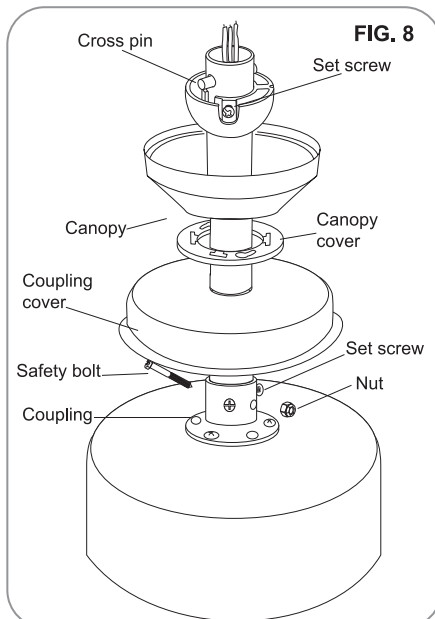
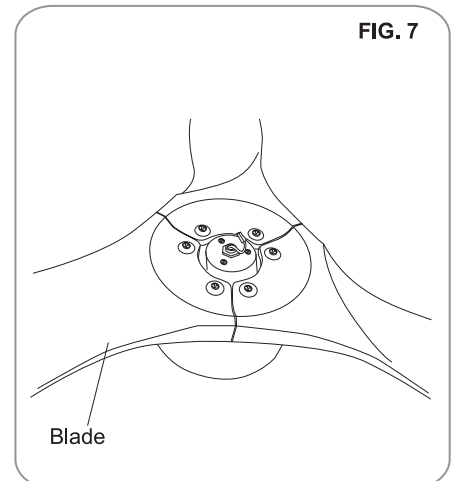
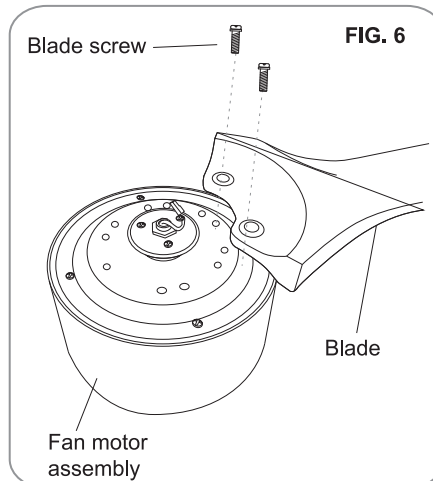
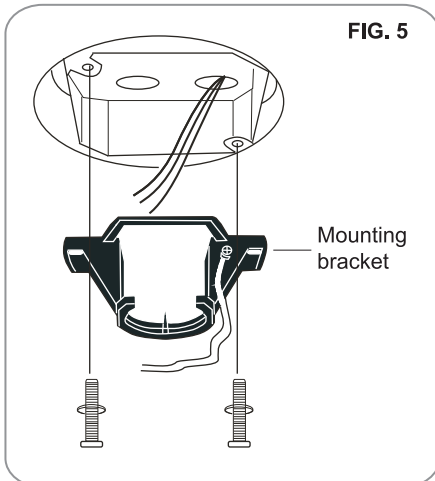
Step 2. Loosen the two set screws from the top coupling of the motor assembly. (Fig. 8)

Step 3. Remove hanger ball from downrod assembly by loosening set screw, removing the cross pin, and sliding ball off rod. (Fig. 8)

Step 4. Carefully feed fan wires up through the downrod (Fig. 8). Screw the downrod into the coupling. Insert the safety bolt through the coupling and attach the nut. Tighten firmly. Tighten set screws.

Step 5. Slip coupling cover, canopy cover, and canopy onto downrod (Fig.8). Carefully re-install hanger ball onto rod being sure that cross pin is in the correct position, set screws are tighten and wires are not twisted.

Step 6. Now lift motor assembly into position and place hanger ball into hanger bracket. Rotate until the check groove has dropped into the registration slot and seats firmly. (Fig. 9) Rod should not rotate if this is done correctly.



Electrical connections

REMEMBER to shut the power off at the circuit breaker or fuse box.

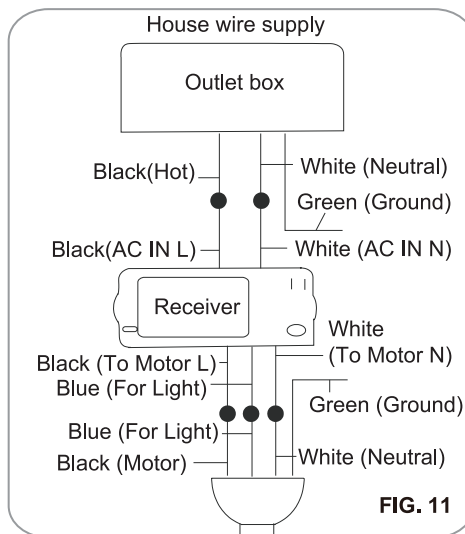
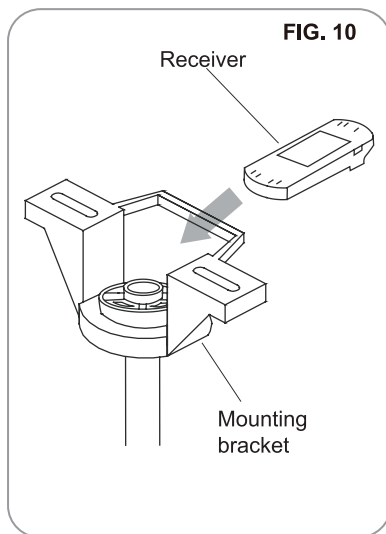
Step 1. Insert Receiver into Hanger Bracket with the flat side of the Receiver facing the ceiling. (Fig. 10)

Step 2. Motor to Receiver Electrical Connections: Connect the WHITE wire from the fan to the WHITE wire marked "TO MOTOR N" from the Receiver. Connect the BLACK wire from the fan to the BLACK wire marked "TO MOTOR L" from the Receiver. Connect the BLUE wire from the fan to the BLUE wire marked "For Light" from the Receiver. (Fig. 11)

Step 3. Receiver to House Supply Wires Electrical connections: Connect the WHITE wire (Neutral) from the outlet box to the WHITE wire marked "AC in N" from the receiver. Connect the BLACK wire (Hot) from the outlet box to the BLACK wire marked "AC in L" from the receiver. Secure all wire connections with the plastic wire nuts provided. (Fig. 11)

Step 4. If your outlet box has a GROUND wire (Green or Bare Copper) connect this wire to the Hanger Ball and Hanger Bracket Ground wires. If your outlet box does not have a Ground Wire, then connect the Hanger Ball and Hanger Bracket Ground Wire together. Secure wire connection with the plastic wire nut provided.

After all splices are made, check to make sure there are no loose strands. As an additional precaution we suggest to secure the plastic wire connectors to the wires with electrical tape.



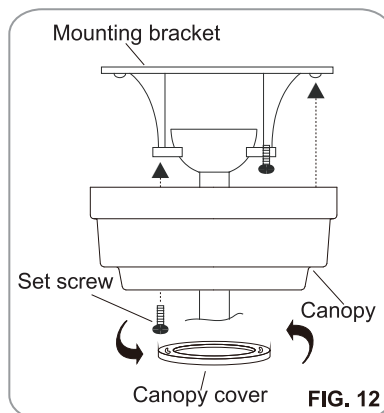
Finishing the installation

Step 1. Remove one screw from the mounting bracket and loosen the other screw approximately 1/4 turn.

Step 2. Carefully raise the canopy up to the mounting bracket, and ensure the loosened screw is inserted into the key hole on the canopy. Rotate the canopy clockwise. (Fig.12)

Step 3. Secure the canopy by replacing the screw previously removed and tightening the screw previously loosened. (Fig.12)

Step 4. Place the canopy cover on the canopy, and rotate the canopy cover clockwise until it locks into position. (Fig.12)



Installing the light kit

Step 1. Remove the LED assembly from the light kit plate by removing three light kit plate screws. (Fig.13) Set these screws aside for use later.

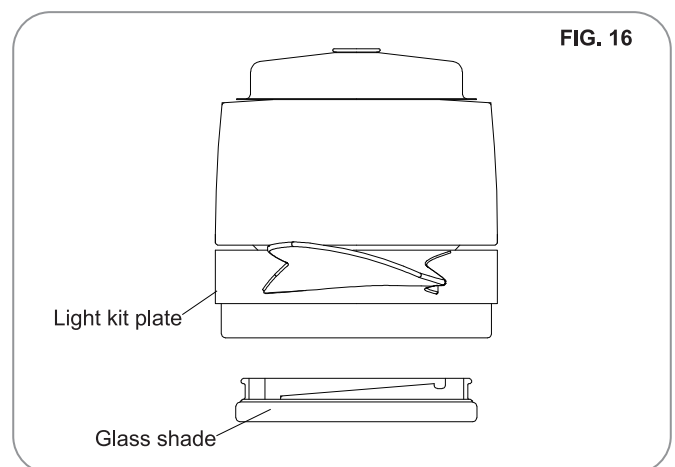
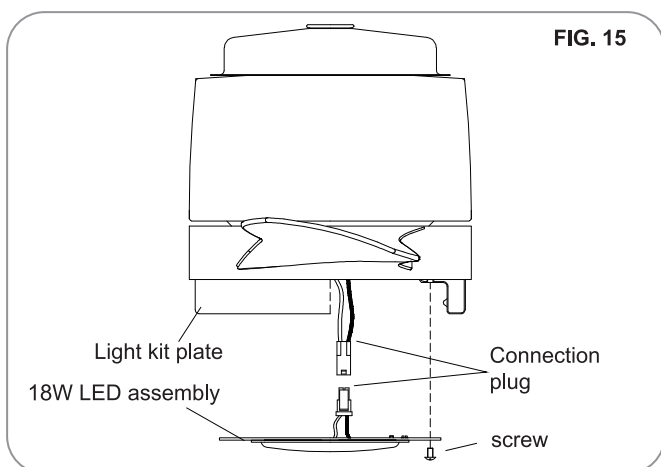
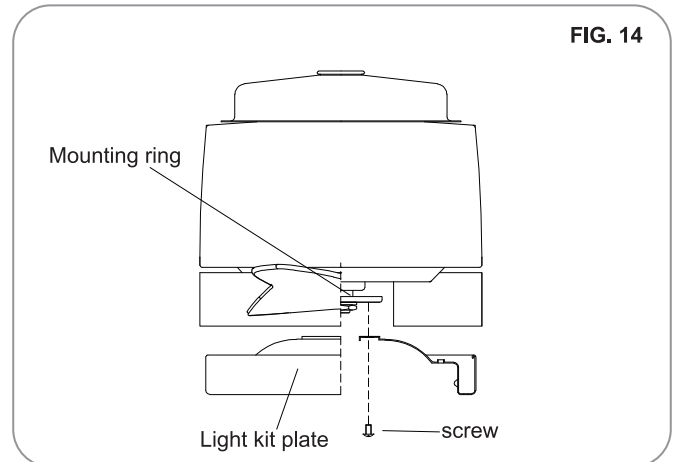
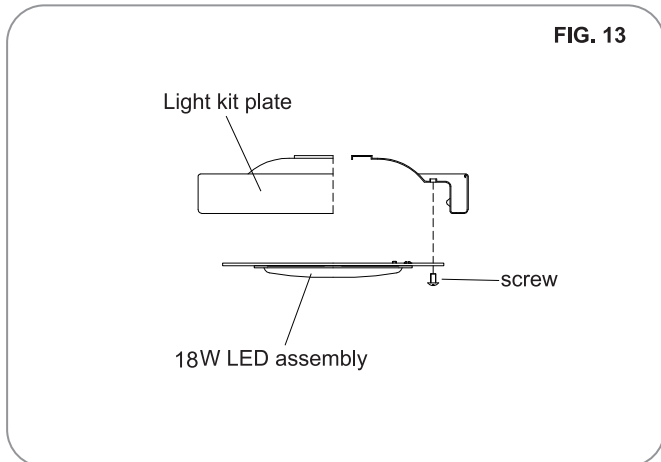
Step 2. Remove one of three screws from the fan motor assembly mounting ring and loosen, but do not remove, the other two screws.(Fig.14)

Step 3. Place the key holes from the light kit plate over the two screws previously loosened from the fan motor assembly mounting ring. Turn the light kit plate until it locks in place at the narrow section of the key holes. Secure by tightening the two screws previously loosened and the one screw previously removed. (Fig.14)

Step 4. While holding the LED assembly under your fan, firmly snap the wire connection plugs together. (Fig.15)

Step 5. Position the LED assembly on the light kit plate and ensure the screw holes are properly aligned. Step 6. Secure the LED assembly by replacing the three screws previously removed. Tighten all screws securely (Fig.15)

Step 7. Attach the glass shade to the light kit plate by twisting tightly. (Fig.16)



Programming the remote

NOTE: The control system is equipped with a learning frequency function which has 16 code combinations to prevent potential interference from other remote units. The frequency on your Receiver and Transmitter units have been preset at the factory. No frequency change is necessary.

If the fan is non-functional or if you desire to install another fan within the same home or area with a separate frequency code, please see this "learning process" section of this instruction manual to code-pairing the receiver and transmitter.

Learning process

- Turn the power off to your ceiling fan.
- Please use a small size tool to change the frequency settings on the transmitter.
- Return power to the unit.
- Within 60 seconds of turning the fan's AC power ON, press and hold the FAN OFF “⏻” button for 10 seconds to enter the learning function.

NOTE: After the AC power is on, do not press any other button on the remote control before pressing the FAN OFF “⏻” button. Doing so will cause the procedure to fail.

Once the receiver has detected the set frequency, the fan will begin to rotate for a short period and then shut off. And if the fan is with light, the light will blink twice.

The receiver has now learn the frequency which has been selected on the transmitter. After completing the steps above, you should be able to operate the ceiling fan and light. If the fan is not responding to the transmitter. please turn the power off to the receiver, and repeat the process.

Set code labeled "1" means "Dimmer".

If your fan includes dimmable bulbs, I.E. incandescent please set the code to "1" for dimming function.

If your fan includes non-dimmable bulbs, please set code labeled "ON" means "it is only on/off, NO DIM".

The set code has been preset to "1" which means "Dimmer"at the factory . If you want to change to "only on/off status" , please follow the steps above.

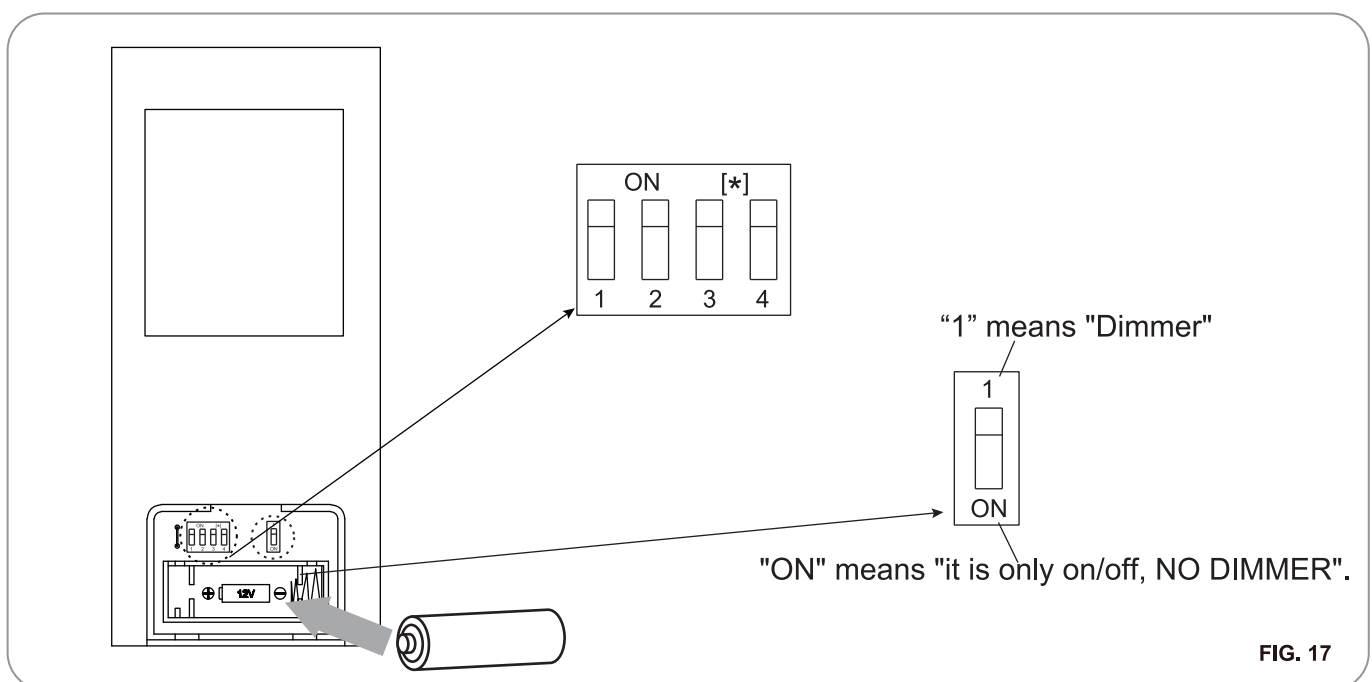






FIG. 17


Operation

a. “”, “” and “” buttons:


These three buttons are used to select the fan speed.

Press and release the button of the desired speed setting:

 = Lowest speed

 = Medium speed

 = Highest speed

b. “” button: This button will turn the light on or off and will also control the brightness setting. Press and release the button and the light will turn on or cycle continuously between bright and dim settings as long as the button is held down. The light key has auto resume, it will stay at the same brightness as the last time it was turned off.

c. “” button: This button will turn the fan off.

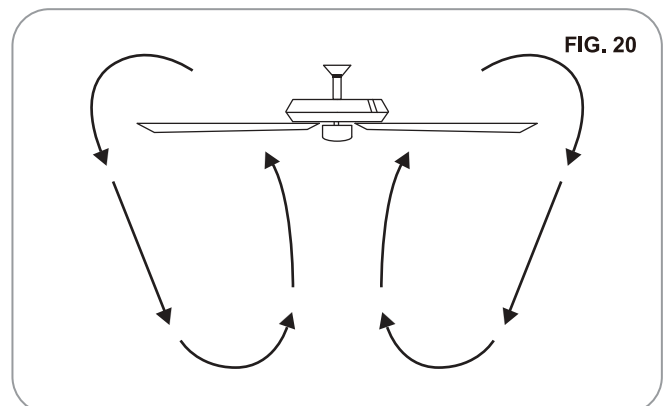
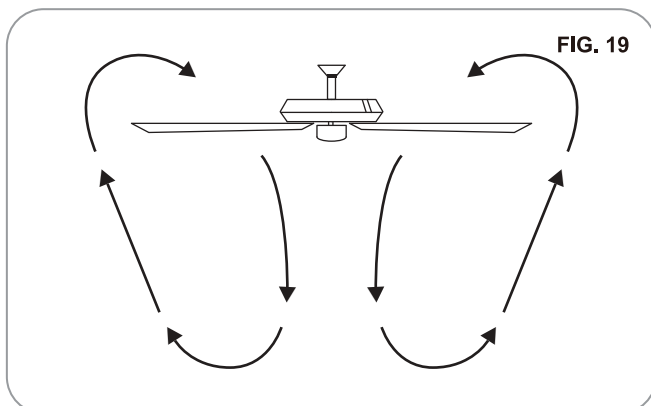
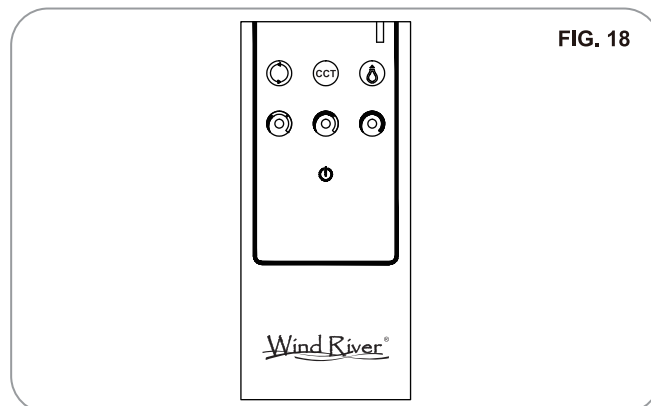
d. “” button: Controls the fan direction (full function remote control fans only)

e. “” button: This button will change the color temperature of light to 3000K/4000K/5000K.

NOTE: To operate the reverse function on this fan, press the reverse function button while the fan is running.

Warm weather - (Counterclockwise Direction) A downward air flow creates a cooling effect. This allows you to set your air conditioner on a higher setting without affecting your comfort.

Cool weather - (Clockwise Direction) An upward air flow moves warm air off the ceiling. This allows you to set your heating unit on a lower setting without affecting your comfort.



Care and Cleaning

Check the support connections, brackets, and blade attachments twice a year. Ensure they are secure. Because of the fan's natural movement, some connections may become loose over time. It is not necessary to remove the fan from the ceiling.

Clean your fan periodically. Use only a soft brush or lint-free cloth to avoid scratching the finish. The plating is sealed with a lacquer to minimize discoloration or tarnishing.

(Optional) Apply a light coat of furniture polish to the wood blades.

(Optional) Cover small scratches with a light application of shoe polish.

Do not use water when cleaning. Water could damage the motor, or the wood, or possibly cause an electrical shock.

Do not apply oil to your fan or motor. The motor has permanently-lubricated sealed ball bearings.

Troubleshooting

Problem	Solution
The fan will not start.	Check main and branch circuit fuses or breakers.
	Check line wire connections to the fan and switch wire connections in the switch housing.
The fan sounds noisy.	Make sure all motor housing screws are snug.
	Make sure the screws that attach the fan blade arm to the motor hub are tight.
	Make sure wire nut connections are not rattling against each other or the interior wall of the switch housing.
	Allow a 24-hour "breaking-in" period. Most noises associated with a new fan disappear during this time.
	If using the ceiling light kit, make sure the screws securing the glassware are tight. Check that the light bulb is also secure.
	Make sure there is a short distance from the ceiling to the canopy. It should not touch the ceiling.
The fan wobbles.	Make sure your ceiling box is secure and rubber isolator pads are used between the mounting bracket and outlet box.
	Check that all blade and blade arm screws are secure.
	Most fan wobble problems are caused when blade levels are unequal. Check this level by selecting a point on the ceiling above the tip of one of the blades. Measure from a point on the center of each blade to the point on the ceiling. Rotate the fan until the next blade is positioned for measurement. Repeat for each blade. Measurements deviation should be within 1/8 in. Run the fan for 10 minutes.
	Use the enclosed blade balancing kit if the blade wobble is still noticeable.

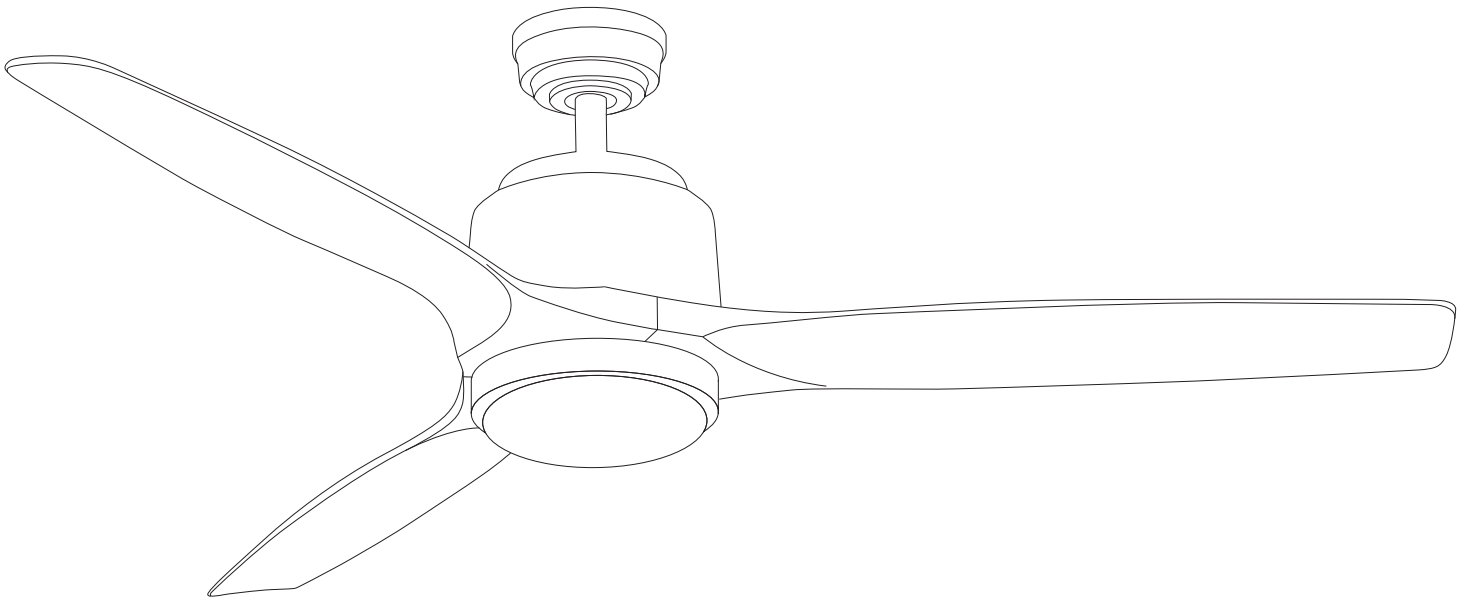


Questions, problems, missing parts? Before returning to your retailer, call our customer service department at **855-817-WIND (9463)**
 8 a.m. - 5 p.m., EST, Monday-Friday
 E-mail: service@windriverus.com

Wind River®

56" REYA™

Lea y guarde estas instrucciones



¿Preguntas, problemas, partes perdidas? Antes de volver a la tienda, llame a nuestro departamento de servicio al cliente al **855-817-WIND (9463)**

8 a.m. - 5 p.m., EST, Lunes-Viernes

E-mail: service@windriverus.com



Intertek

WR1765 SERIES

Velocidad	Voltios	Amperios	Vatios	RPM	CFM	N.W.	G.W.	C.F.
Baja	120	0.25	16.56	66	2269	8.13 kgs (17.89 lbs)	9.27 kgs (20.39 lbs)	3.56 ft.
Mediana		0.34	27.33	95	3699			
Alta		0.48	57.98	148	5655			

NOTA: Estas son mediciones aproximadas. No incluyen los Amperios y vatios usado por el juego de iluminación.

340644010291

Règles de sécurité

1. Para reducir el riesgo de electrocución, asegurarse de que la electricidad se ha desactivado en el cortacircuitos o caja de fusibles antes de comenzar.
2. Todos los cables deben cumplir con el Código Eléctrico Nacional "ANSI/NFPA 70-1999" y los códigos eléctricos locales. La instalación eléctrica debería realizarla un electricista profesional cualificado.
3. La caja de distribución y la estructura de soporte deben estar montados de manera segura y deben ser capaces de soportar, de manera confiable, un mínimo de 35 libras (15,9 kilogramos). Usar solamente cajas de distribución listadas por U.L. marcadas "PARA SOPORTE DE VENTILADORES".
4. EL ventilador debe estar montado con un mínimo de 7 pies (213cm) de espacio libre desde el borde posterior de las aspas hasta el piso.
5. Tras realizar las conexiones eléctricas, los conductores empalmados deberían girarse hacia arriba y meterse con cuidado en la toma de corriente. Los cables deberían separarse con el conductor a tierra y el conductor de tierra del equipo por un lado de la toma de corriente y el conductor no conectado a tierra en el otro lado de la toma de corriente.
6. Todos los tornillos deberían ser comprobados y revisados antes de la instalación.



ADVERTENCIA: Por reducir el riesgo de descargas eléctricas o incendios, no utilice este ventilador con ningún controlador de velocidad del ventilador de estado sólido. Por favor, póngase en contacto con el distribuidor o con Wind River llamando al **855-817-WIND (9463)** si utilice el mando de estado sólido a distancia.

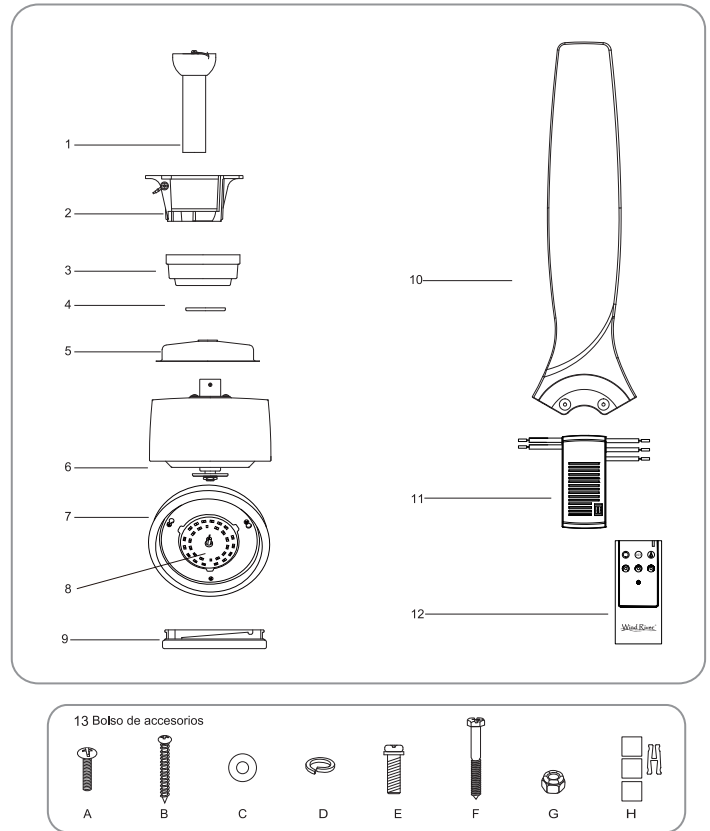


ADVERTENCIA: Para reducir el riesgo de fuego, descarga eléctrica o lesiones personales, monte el ventilador a una toma de corriente marcada como compatible para soportar un ventilador con los tornillos incluidos en la toma de corriente.

Contenidos en paquete

Desembalar el ventilador y revisar el contenido. Vease pagina 2. Debe tener los siguientes elementos:

1. Conjunto de varilla (1)
2. Soporte de montaje (1)
3. Tapa de cubierta (1)
4. Tapa de cubierta (1)
5. Cubierta de acoplamiento (1)
6. Conjunto de motor de ventilador (1)
7. Placa de juego de luz (1)
8. Ensamblaje de LED 18W (1) (premontaje en #7)
9. Sombra de vidrio (1)
10. Hoja (3)
11. Receptor con 6 tuercas de alambre (1)
12. Transmisor con portatransmisores + 2 tornillos de montaje + batería A23 de 12 voltios (1)
13. El bolso de accesorios incluye:
 - A: Tornillo de máquina (2)
 - B: Tornillo de madera (2)
 - C: Arandela de metálica (2)
 - D: Arandela de seguridad (2)
 - E: Tornillo de hoja (7)
 - F: Perno de seguridad (1)
 - G: Tuerca (1)
 - H: Conjunto de balanceo(1)



Comenzando la instalacion

Herramientas necesarias: Un desarmador plano, un desarmador de cruz, cortadoras de alambre, cinta aislante.

OPCIONES DE MONTAJE

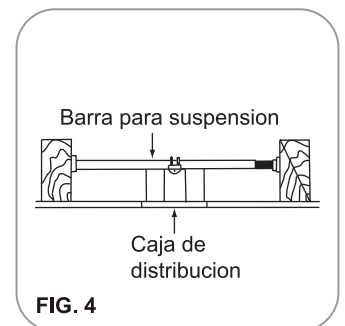
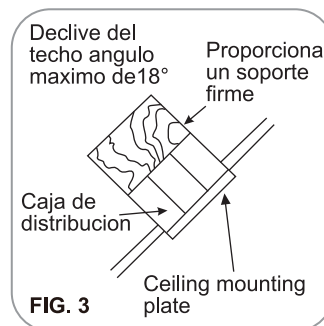
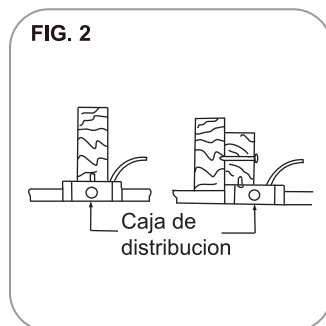
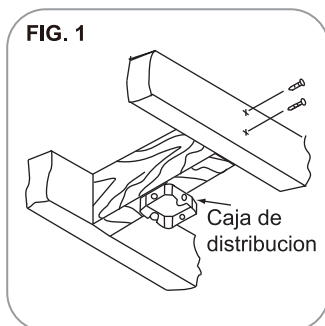
Si no existe una caja de distribucion instalada, siga las siguientes instrucciones. Desconecte la energía eléctrica apagando los interruptores del circuito o sacando los fusibles.

Asegure la caja de distribucion directamente en la estructura del edificio. Use los soportes y materiales de construccion apropiados. La caja de distribucion y soporte deben de ser capaces de soportar todo el peso en movimiento del ventilador (minimo de 35 libras). Use una caja de metal que esté aprobada por UL marcada "Acceptable for Ceiling Fan Support". No use cajas de distribucion de plástico.

Las ilustraciones 1, 2 y 3 muestran alternativas diferentes para montar la caja de distribucion.

Nota: Por favor, póngase en contacto con el distribuidor o con Wind River en el **855-817-WIND (9463)** si necesita una varilla regulable más larga para mantener la holgur adecuada de las palas cuando lo instale en un techo inclinado.

Para colgar su ventilador donde anteriormente había una lámpara pero no hay viga, prodría necesitar instalar una abrazadera de soporte como se muestra en la ilustracion 4.



Instalación de las hojas

Paso 1. Conecte las aspas del ventilador al ensamblaje del motor del ventilador utilizando los tornillos de las aspas y la y apriételes de forma segura (Fig.6)

Paso 2. Repita este paso para las otras aspas (Fig.7)

Colgando el ventilador

⚠ Advertencia: Utilice todas piezas metálicas y componentes proporcionados por Wind River. El uso de otras piezas metálicas o componentes no suministrados por Wind River con el ventilador, se anulará la Garantía de Wind River

RECORDAR: Apagar la energía eléctrica en el circuito principal o en la caja de fusibles:

Paso 1. Fije el soporte de montaje en la caja de salida por los dos tornillos y las arandelas proporcionados con la caja de salida. Asegúrese de que el soporte de montaje se apriete bien y firmemente.(Fig.8)

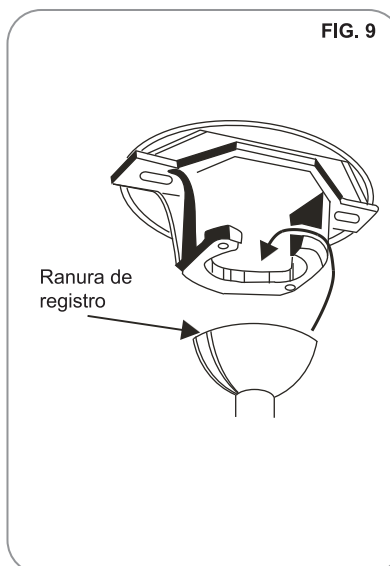
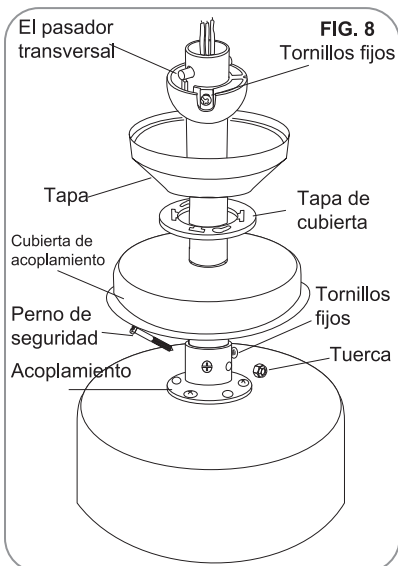
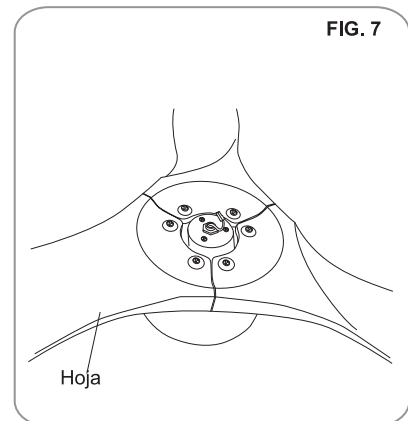
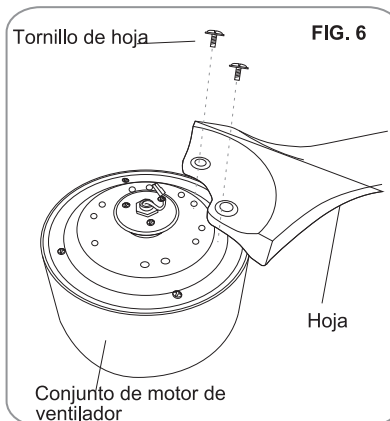
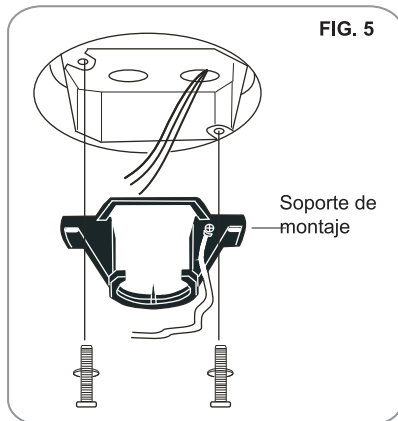
Paso 2. Afloje los dos tornillos de fijación del acoplamiento del conjunto del motor del ventilador del motor. (Fig.8)

Paso 3. Quite la bola de suspensión de la varilla por aflojando el tornillo de fijación de la bola de suspensión, y quitando el pasador transversal, entonces deslizando la bola de suspensión fuera de la varilla. (Fig.8)

Paso 4. Proporcione los cables del ventilador a través de la varilla cuidadosamente. (Fig.8). Atornille la varilla en el acoplamiento del conjunto del motor del ventilador. Inserte el perno de seguridad en el acoplamiento y la varilla e instale la tuerca. Apriete bien. Entonces apriete los tornillos de fijación.

Paso 5. Deslice la cubierta de acoplamiento, la tapa de cubierta, y la tapa en la varilla (Fig.8).Y vuelva a instalar la bola de suspensión cuidadosamente en la varilla, entonces por favor asegúrese de que el pasador transversal esté en la posición correcta, los tornillos de fijación estén apretados, y los alambres no sean torcidos.

Paso 6. Levante el conjunto del motor del ventilador en la posición, y coloque la bola de suspensión en el soporte de montaje. Gire el conjunto del motor del ventilador hasta que la ranura de prueba estén en la ranura de registro y lo coloque firmemente.(Fig.9) Debe girar la varilla en caso de falla operación.



Conexiones eléctricas

RECORDAR no se olvide de desconectar la energía eléctrica en el circuito principal o en la caja de fusibles.

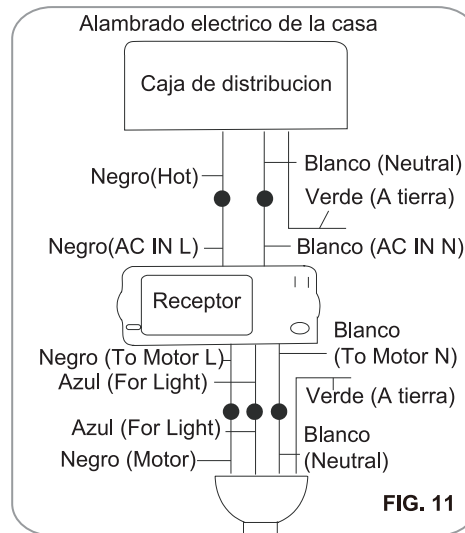
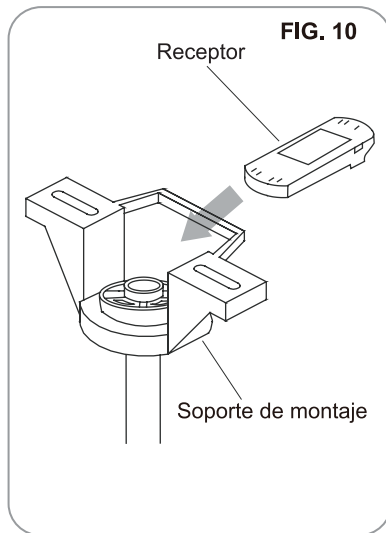
Paso 1. Inserte el receptor en soporte de suspensión con la cara plana del receptor dando al techo. (Fig.10)

Paso 2. Conexiones de motor a receptor de eléctrico: Conecte el cable blanco del ventilador al cable BLANCO marcado "TO MOTOR N" del receptor. Conecte el cable NEGRO del ventilador al cable NEGRO marcado "TO MOTOR L" del receptor. Conecte el cable azul del ventilador con el cable AZUL marcado "FOR LIGHT" en el receptor. (Fig. 11)

Paso 3. Conexiones eléctricas de receptor y cables : Conecte el cable BLANCO (neutral) de la caja de salida para el cable BLANCO marcado "AC in N" del receptor. Conecte el cable NEGRO (caliente) de la caja de salida para el cable NEGRO marcado "AC in L" del receptor. Asegure todas las conexiones de cable con las tuercas proveídas. (Fig. 11)

Paso 4. Si su caja de salida tiene un cable de toma a tierra (verde o de cobre desnudo) conecte este cable a la bola de suspensión y cables a Tierra de Soporte de Suspensión. Si su caja de salida no tiene un cable de toma a tierra, pues conecte la bola de suspensión y el Cable de Tierra de Soporte de Suspensión juntos. Asegure la conexión de cable con tuercas proveídas.

Después de todos los empalmes, asegúrate de que no hay filamentos sueltos. Como precaución adicional le sugerimos asegurar los conectores plásticos a los cables con cinta aislante.



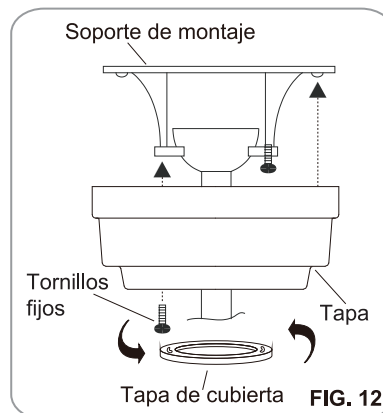
Terminando la instalacion

Paso 1. Quite un tornillo del soporte de montaje y afloje el otro tornillo por 1/4 de vuelta más o menos.

Paso 2. Levante la tapa con mucho cuidado al soporte de montaje, y comprueba que el tornillo aflojado haya insertado en el agujero de la llave en la tapa. Gire la tapa en sentido horario. (Fig. 12)

Paso 3. Fije la tapa por reemplazando el tornillo previamente quitado y apretando el tornillo previamente aflojado. (Fig. 12)

Paso 4. Coloque la cubierta de tapa en la misma y gire la cubierta de tapa en el sentido de la aguja del reloj hasta que él bloquee en su posición. (Fig. 12)



Instalar el luz

Paso 1. Quite el conjunto LED de la placa de juego de luz por sacando los tres tornillos de placa de juego de luz. Y coloque los tornillos al lado para la utilización en la futura. (Fig.13)

Paso 2. Quite uno de los tres tornillos del anillo de montaje del conjunto del motor del ventilador y afloje, pero no saque, los otros dos tornillos. (Fig.14)

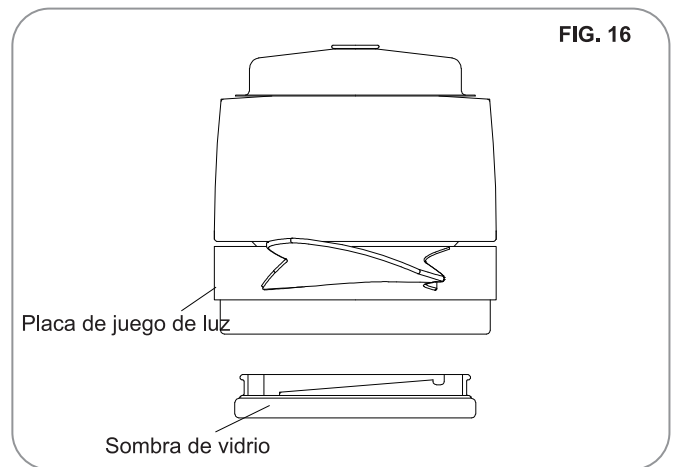
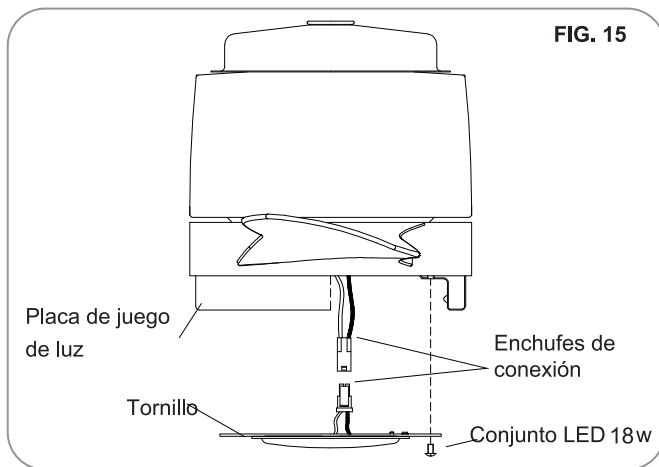
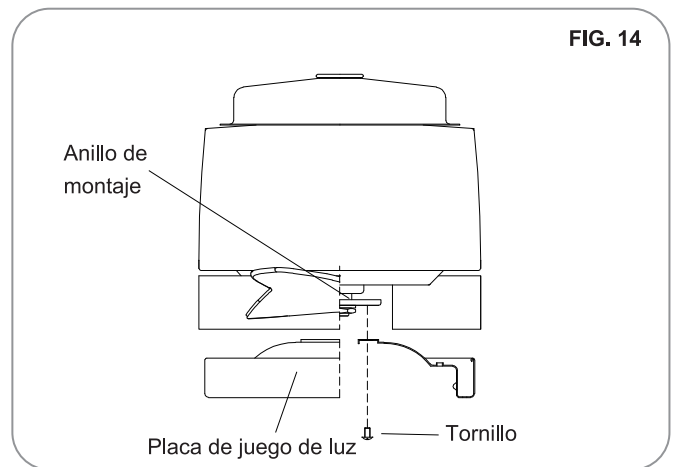
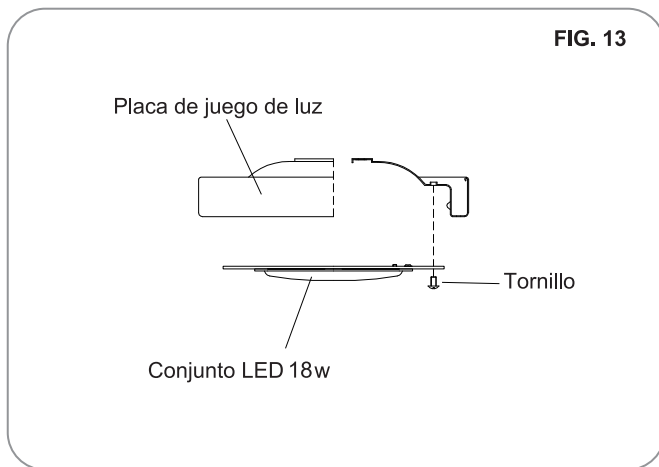
Paso 3. Coloque los agujeros de llave de la placa de juego de luz encima de los dos tornillos aflojados previamente del anillo de montaje del conjunto del motor del ventilador. Gire la placa de juego de luz hasta que él bloquee en el lugar en la sección estrecha de los agujeros de llave. Los fije por apretando los dos tornillos aflojados previamente y un tornillo sacado previamente. (Fig.14)

Paso 4. Sosteniendo la conjunto LED bajo el ventilador, se encajan las clavijas de conexión de cables. (Fig.15)

Paso 5. Coloque el conjunto LED en la placa de juego de luz y asegúrese de que los agujeros de tornillo se alineén adecuadamente.

Paso 6. Fije el conjunto LED por reemplazando los tres tornillos sacados previamente. Aprieten todos los tornillos fuertemente. (Fig.15)

Paso 7. Fije la sombra de vidrio en la placa del conjunto de luz por torciendo fuertemente. (Fig.16)





Programando el control remoto

NOTA: El sistema de control de motor está equipado con una función de aprendizaje de frecuencia, el que tiene 16 combinaciones diferentes para prevenir posibles interferencias de otras unidades remotas. La frecuencia de sus unidades de recepción y transmisión que han sido ajustado en la fábrica. No es necesario ningún cambio de frecuencia.

Si el ventilador no se funciona o si desea instalar otro ventilador dentro de la misma casa o área con un código de frecuencia separado, por favor ver esta sección "proceso de Aprendizaje" de este manual de instrucciones para emparejar los códigos del receptor y del transmisor. nual to code-paring the receiver and transmitter.

Proceso de aprendizaje

- Apague su ventilador de techo.
- Por favor, use una herramienta de pequeño tamaño para cambiar los ajustes de frecuencia en el transmisor.
- Vuelve a encender la unidad.
- Dentro de los 60 segundos después de encender el ventilador mediante alimentación CA, presione en permanente el botón FAN OFF “

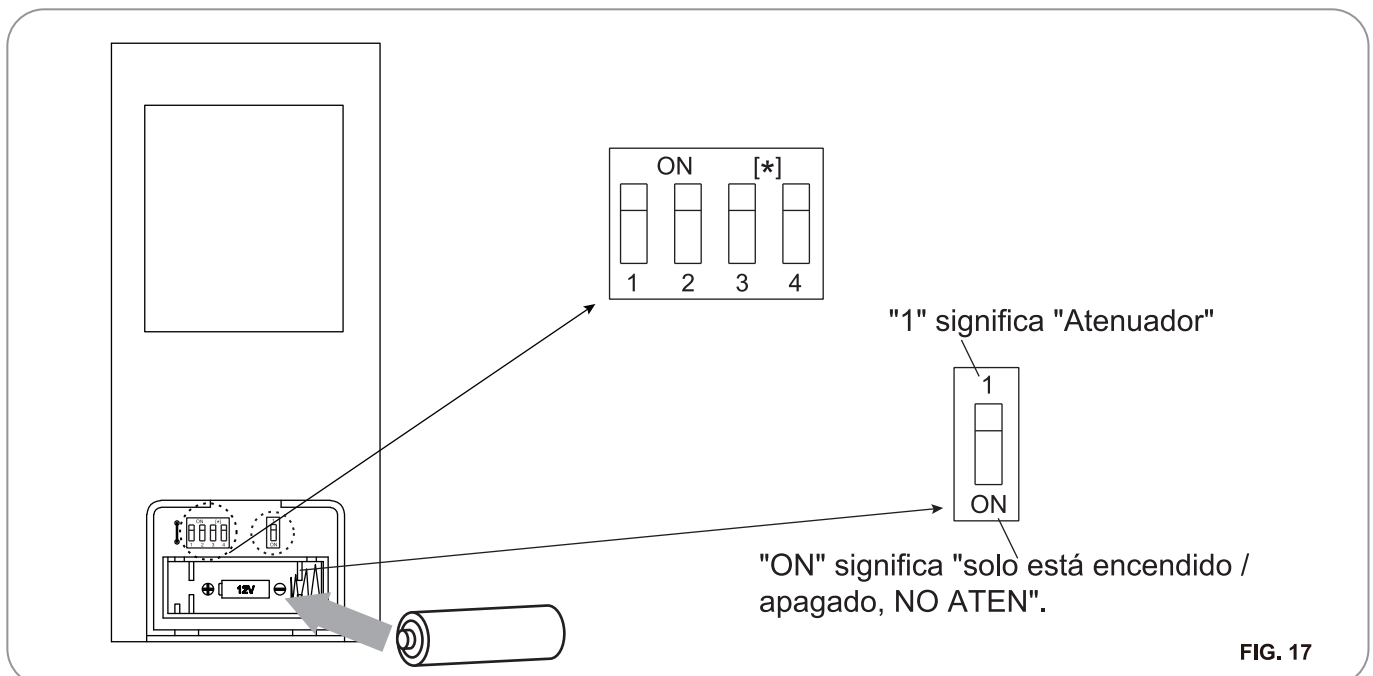
NOTA: Después de encendido la unidad, no presione ningún otro boton en el mando a distancia antes de pulsar el botón FAN OFF “

Una vez que el receptor ha detectado la frecuencia establecida, el ventilador comenzará a girar por un período corto y luego se apagará. Y si el ventilador tiene luz, la luz parpadeará dos veces.

El receptor ha aprendido la frecuencia que ha sido seleccionado en el transmisor. Después de completar los pasos anteriores, usted será apto de operar el ventilador de techo y la luz. Si el ventilador no está respondiendo al transmisor. por favor apague el receptor, y repetir el proceso.

El código de ajuste en la etiqueta "1" significa "Atenuador".

Si su ventilador incluye bombillas regulables, I.E. incandescente, ajuste el código en "1" para la función de atenuación. Si su ventilador incluye bombillas no regulables, ajuste el código en la etiqueta "ENCENDIDO", que significa "solo está encendido / apagado, SIN ATEN". El código de ajuste ha sido preajustado en "1" en la fábrica, que significa "Atenuador" . Si quiere cambiar a "solo estado de encendido / apagado ", siga los pasos anteriores.



Operación


a. Interruptor “”, “”, “”:

Estos interruptores seleccionan la velocidad de la manera siguiente;


 = Velocidad Baja

 = Velocidad Mediana

 = Velocidad Alta

b. Interruptor “” : Estos interruptores prenden, apagan y controlan la intensidad de la luz. Para prender o apagar la lampara oprima y suelte el interruptor de la lampara deseada. Para cambiar la intensidad de la luz oprima y sostenga el interruptor. La luz mantendra un ciclo continuo entre la luz mas intensa y la luz mas baja mientras el interruptor se mantenga oprimido. La luz se mantendra a la misma intensidad que la ultima ves que la uso.

c. Interruptor “” : Este interruptor apaga el ventilador.

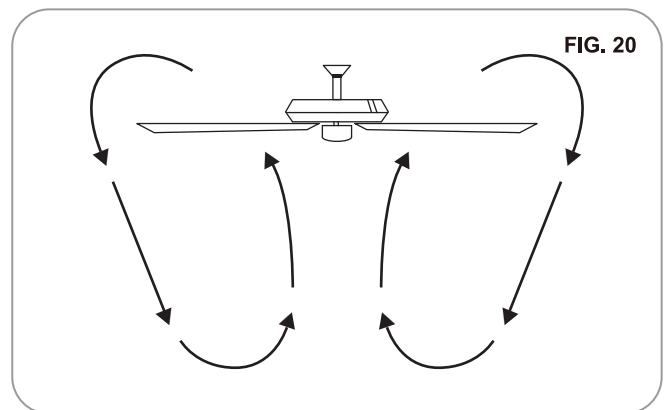
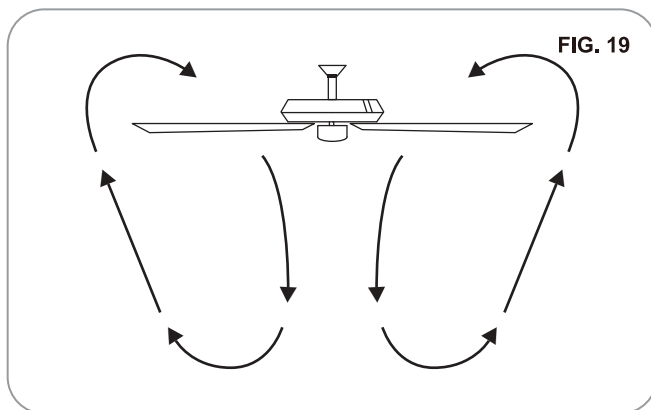
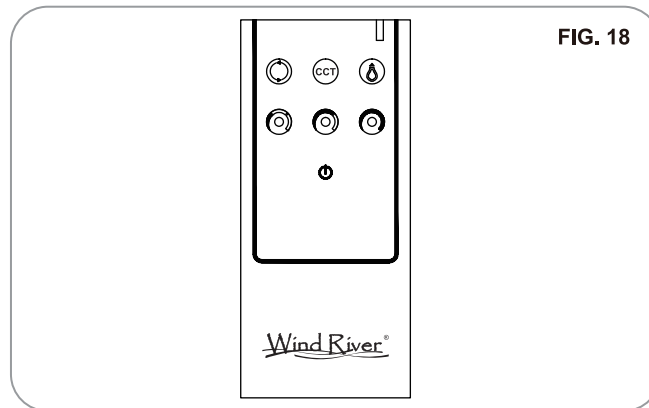
d. Interruptor “” : Controla la dirección del ventilador. (Solo para ventiladores con control remoto de función completa)

e. Interruptor “” : Se cambia por este botón la temperatura de color de la luz a 3000K/4000K/5000K.

NOTA: Para utilizar la función inversa de este ventilador, presione el botón de función inversa cuando el ventilador está en funcionamiento.

Clima cálido - (Adelante) Una corriente de aire descendente crea un efecto refrescante como se muestra en. Esto le permite ajustar su aire acondicionado en un mayor ajuste sin que ello afecte su comodidad.

Clima Frío - (Inversa) Un flujo de aire mueve el aire caliente hacia arriba fuera de la zona límite, como se muestra en. Esto le permite configurar su unidad de calefacción en un ajuste más bajo sin afectar a su comodidad.



Cuidado y Limpieza

Verifique las conexiones de soporte, soportes y equipos de hoja dos veces por un año. Y asegúrese de fijarlos bien. Debido al movimiento natural del ventilador, unas conexiones puedan aflojarse por un tiempo. No es necesario de quitar el ventilador del techo.

Limpie el ventilador periódicamente. Sólo utilice un paño suave o libre de hilas para evitar la rascadura del acabado. El revestimiento se selle con barniz para minimizar la descoloración o deslustre.

(Opcional) Aplique una capa ligera de lustre de mueble en las hojas de madera.

(Opcional) Cubre las rascaduras pequeñas con unos lustres de zapatos.

No pueda utilizar aguas a la limpieza. El agua pueda dañar el motor, la madera o causar un choque eléctrico posiblemente.

No pueda aplicar aceite en el ventilador o el motor. Los rodamientos de bolas del motor han sido lubricados permanentemente.

Solución de averías

Problema	Solución
El ventilador no funciona	Revisar los fusibles o interruptores de circuitos.
	Verificar las conexiones de cables de línea al ventilador y conexiones de cable del interruptor.
El ventilador emiteruido	Asegurarse de que todos los tornillos de la cubierta del motor estén ajustados.
	Asegurarse de que los tornillos que sujetan el soporte de aspas del ventilador al eje del motor estén apretados.
	Asegurarse de que las conexiones de tuercas para cable no esten rozando unas contra otras o contra la pared interior de la cubierta protectora del interruptor.
	Permitir un período de "desgaste" de 24 horas. La mojaría de los ruidos asociados con un ventilador nuevo desaparecen durante este tirmpo.
	Si se está usando un juego opcional de iluminación para el venitlador de techo, asegurarse de que los tornillos que aseguran el vidrio estén apretados. Asimismo, verificar que la bombilla esté segura.
	Asegurarse de que el escudete superior esté a una corta distancia del techo. No debe hacer contacto con el techo.
Las oscilaciones de ventilador	Asegúrese de que la caja del techo esté fija y que las almohadillas aislantes de goma estén colocadas entre el soporte de montaje y la toma de corriente.
	Verifique si todas las hojas y los tornillos de brazo de hoja sean fijados.
	La mayoría de los problemas sobre la oscilación es causada cuando los niveles de hoja son irrregulares. Veri□ que el nivel por seleccionando un punto del techo encima del extremo de una de las hojas. Y tome la medidas desde un punto en el centro de caja hoja al punto del techo. Gire el ventilador hasta que la hoja siguiente sea situada para la medida. Repite por caja hoja. La desviación de las medidas debe estar dentro de 1/8 pulgadas. Y funcione el ventilador por diez minutos.
	Utilice el conjunto de balanceo de hoja adjuntivo si la oscilación de hoja todavía es notable.



¿Preguntas, problemas, partes perdidas? Antes de volver a la tienda, llame a nuestro departamento de servicio al cliente al **855-817-WIND (9463)**
 8 a.m. - 5 p.m., EST, Lunes-Viernes
 E-mail: service@windriverus.com