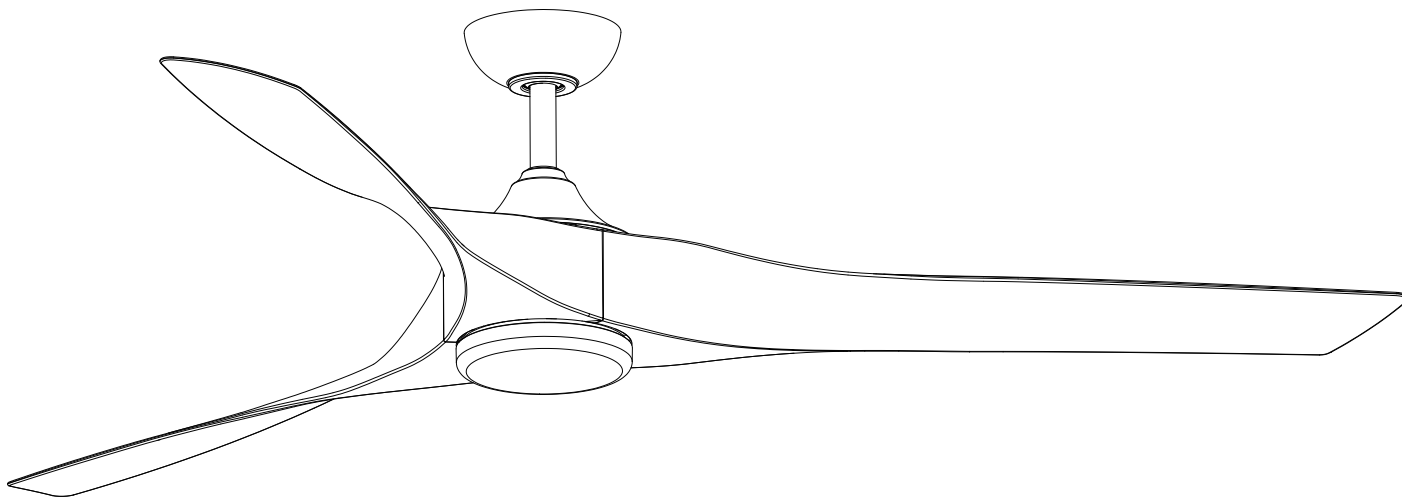




70" Willow XL Indoor/Covered Outdoor Wi-Fi Smart Ceiling Fan TM

Read and save these instructions



Questions, problems, missing parts? Before returning to your retailer, call our customer service department at **855-817-WIND (9463)**
8 a.m. - 5 p.m., EST, Monday-Friday
E-mail: service@windriverus.com




WR2121 SERIES


Speed	Volts	Amps	Watts	RPM	CFM	N.W.	G.W.	C.F.
Low	120	0.07	3.15	49	2554	8.5 kgs (18.7 lbs)	10.22 kgs (22.48 lbs)	2.732 ft.
Medium Low		0.09	4.4	64	3465			
Medium		0.13	6.6	79	4613			
Medium High		0.17	9.2	94	5554			
High		0.25	14	109	6610			
Extra High		0.35	19.45	125	7667			

NOTE: These are approximate measures. They do not include amps and wattage used by the light kit.

Safety tips

1. To reduce the risk of electric shock, ensure electricity has been turned off at the circuit breaker or fuse box before beginning.
2. All wiring must be in accordance with the National Electrical Code “ANSI/NFPA 70-1999” and local electrical codes. Electrical installation should be performed by a qualified licensed electrician.
3. The outlet box and support structure must be securely mounted and capable of reliably supporting a minimum of 35 lbs. Use only UL Listed outlet boxes marked “FOR FAN SUPPORT.”
4. The fan must be mounted with a minimum of 7 ft. clearance from the trailing edge of the blades to the floor.
5. After making electrical connections, spliced conductors should be turned upward and pushed carefully up into the outlet box. The wires should be spread apart with the grounded conductor and the equipment-grounding conductor on one side of the outlet box and ungrounded conductor on the other side of the outlet box.
6. All setscrews must be checked and retightened where necessary before installation.

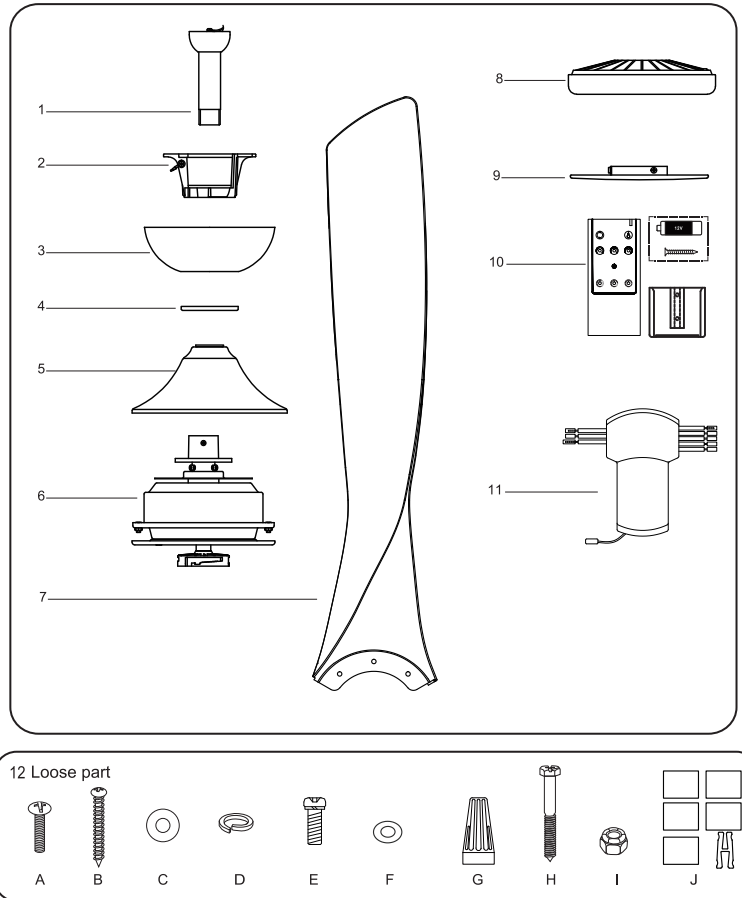
 **WARNING:** To reduce the risk of electrical shock or fire, do not use this fan with any solid-state fan speed control device. Please contact with dealer or Wind River at **855-817-WIND (9463)** if using solid-state remote.

 **WARNING:** To reduce the risk of fire, electric shock, or personal injury, mount the fan to the outlet box marked acceptable for fan support with the screws provided with the outlet box.

Package contents

Unpack your fan and check the contents. See page 2. You should have the following items:

1. Downrod assembly (1)
2. Mounting bracket (1)
3. Canopy (1)
4. Canopy cover (1)
5. Coupling cover (1)
6. Fan motor assembly (1)
7. Fan blade (3)
8. 17W LED assembly (1)
9. Metal Shade (1)
10. Transmitter+holder+2 mounting screws+A23 12V battery(1)
11. Receiver (1)
12. Loose parts bag containing
 - A: Machine screw (2)
 - B: Wood screw (2)
 - C: Metal washer (2)
 - D: Lock washer (2)
 - E: Blade screw (9 + 1 spare)
 - F: Metal washer (9 + 1 spare)
 - G: Wire nuts (9)
 - H: Safety bolt (1)
 - I: Nut (1)
 - J: Balancing kit (1)



Begin installation

Tools Required: Phillips screw driver; slotted screw driver; pliers; wire cutters; electrical tape.

MOUNTING OPTIONS

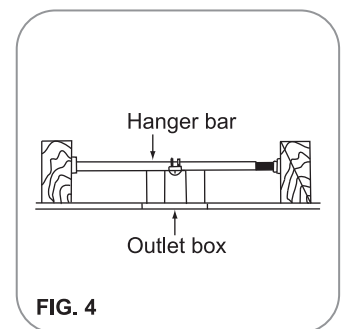
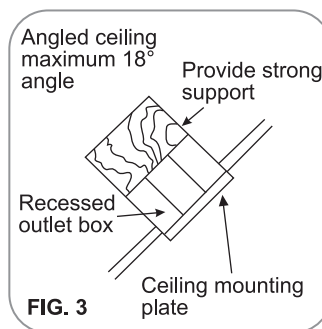
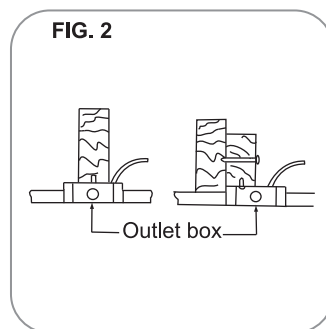
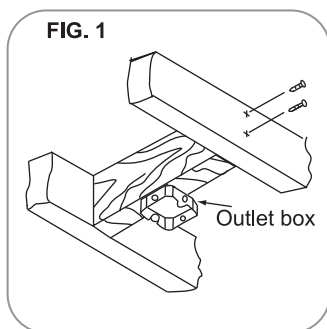
If there isn't an existing outlet box, then read the following instructions. Shut the power off at the circuit breaker or fuse box.

Secure the outlet box directly to the building structure. Use appropriate fasteners and building materials. Only use a U.L. Listed metal outlet box marked "Acceptable for ceiling fan support" to install the ceiling fan. Do not use a plastic outlet box or other device.

Figures 1,2 and 3 are examples of different ways to mount the outlet box.

Note: Please contact with dealer or Wind River at **855-817-WIND (9463)** if you need a longer downrod to maintain proper blade clearance when installing on a steep, sloped ceiling.

To hang your fan where there is an existing fixture but no ceiling joist, you may need to install a hanger bar as shown in Fig. 4.



Hanging the fan

⚠ WARNING: Please use all of the parts hardware and components provided by Wind River. The use of other parts, hardware or components not supplied by Wind River with the fan will void the Wind River Warranty.

REMEMBER to turn off the power. Follow the steps below to hang your fan properly:

Step 1. Secure the mounting bracket to the ceiling outlet box using screws and washers included with mounting hardware. (Fig.5)

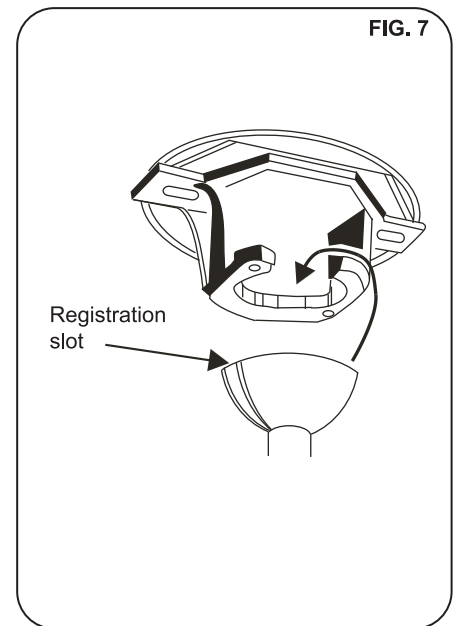
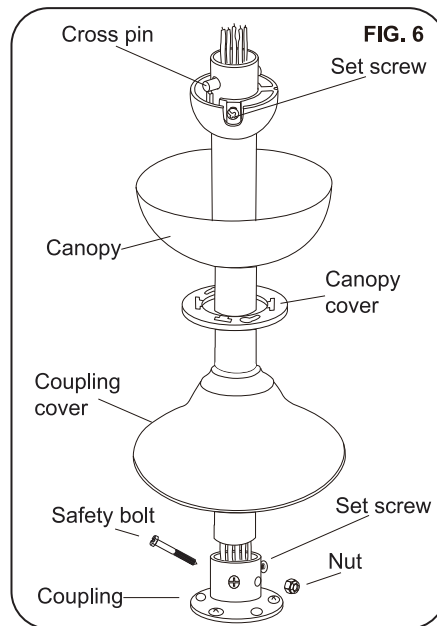
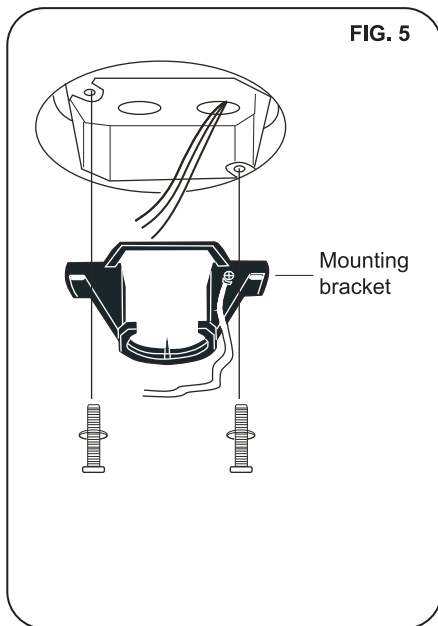
Step 2. Loosen the two set screws from the top coupling of the motor assembly. (Fig.6)

Step 3. Remove hanger ball from downrod assembly by loosening set screw, removing the cross pin, and sliding ball off rod. (Fig.6)

Step 4. Carefully feed fan wires up through the downrod (Fig.6). Screw the downrod into the coupling. Insert the safety bolt through the coupling and attach the nut. Tighten firmly. Tighten set screws.

Step 5. Slip coupling cover, canopy cover, and canopy onto downrod (Fig.6). Carefully reinstall hanger ball onto rod being sure that cross pin is in the correct position, set screws are tighten and wires are not twisted.

Step 6. Now lift motor assembly into position and place hanger ball into hanger bracket. Rotate until the check groove has dropped into the registration slot and seats firmly. (Fig.7) Rod should not rotate if this is done correctly.



Electrical connections

REMEMBER to shut the power off at the circuit breaker or fuse box.

Follow the steps below to connect the fan to your house supply wires. Use the wire nuts supplied with your fan. Secure the wire nuts by wrapping the connection with electrical tape.

Step 1: Motor to Receiver Electrical Connections:

Connect the **WHITE** wire from the fan to the **WHITE** wire marked “Light N” from the Receiver.

Connect the **BLUE** wire from the fan to the **BLUE** wire marked “Light L” from the Receiver.

Connect the **YELLOW** wire from the fan to the **YELLOW** wire marked “MOTOR 1” from the Receiver.

Connect the **RED** wire from the fan to the **RED** wire marked “MOTOR 2” from the Receiver.

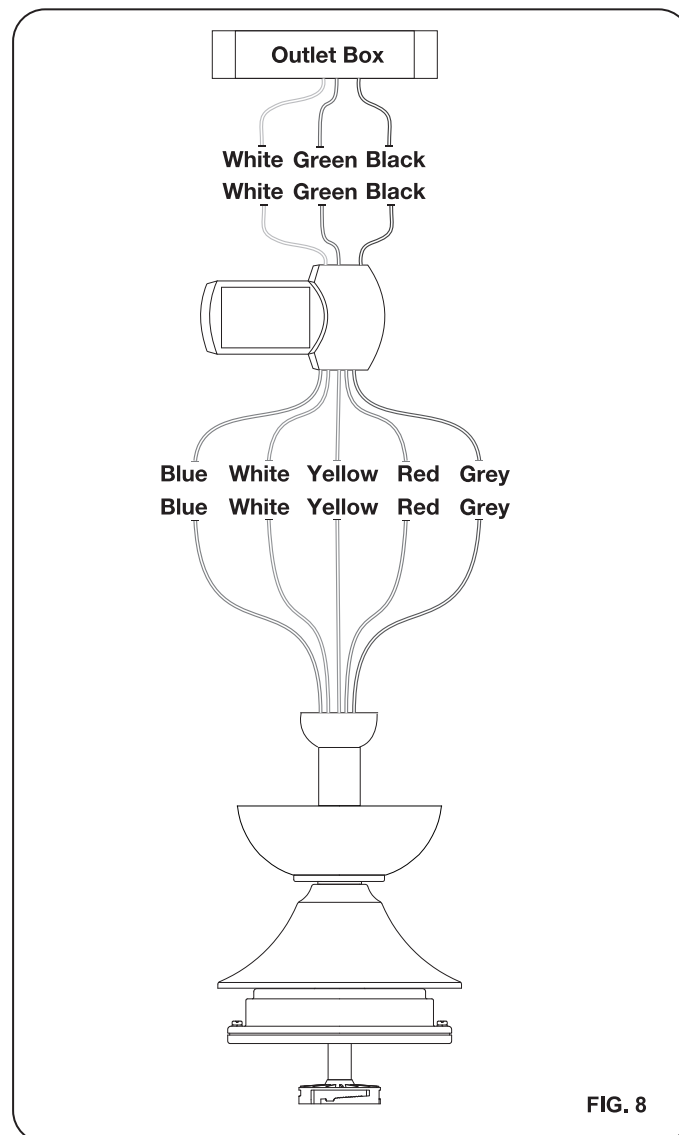
Connect the **GREY** wire from the fan to the **GREY** wire marked “MOTOR 3” from the Receiver.

Step 2: Receiver to House Supply Wires Electrical connections:

Connect the **WHITE** wire(Neutral) from the outlet box to the **WHITE** wire marked “AC in N” from the receiver.

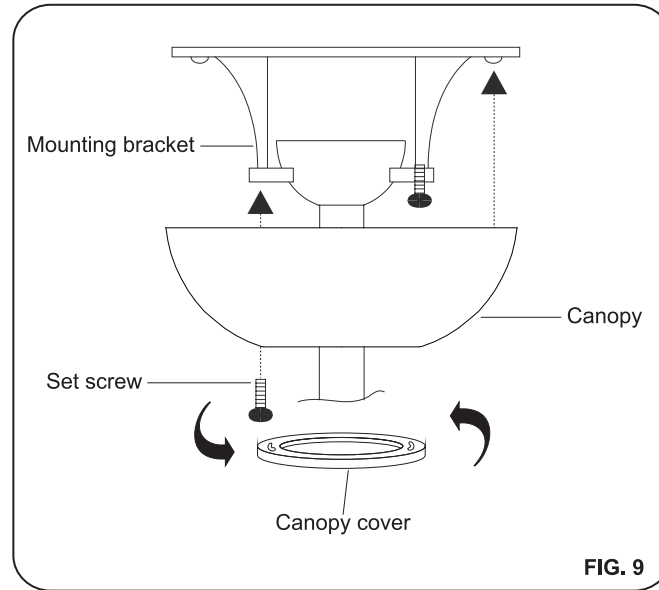
Connect the **BLACK** wire(Hot) from the outlet box to the **BLACK** wire marked “AC in L” from the receiver.

Step 3: Connect the ground wire (green or bare copper) from the outlet box to the ground wire of hanging ball and the ground wire of mounting bracket.



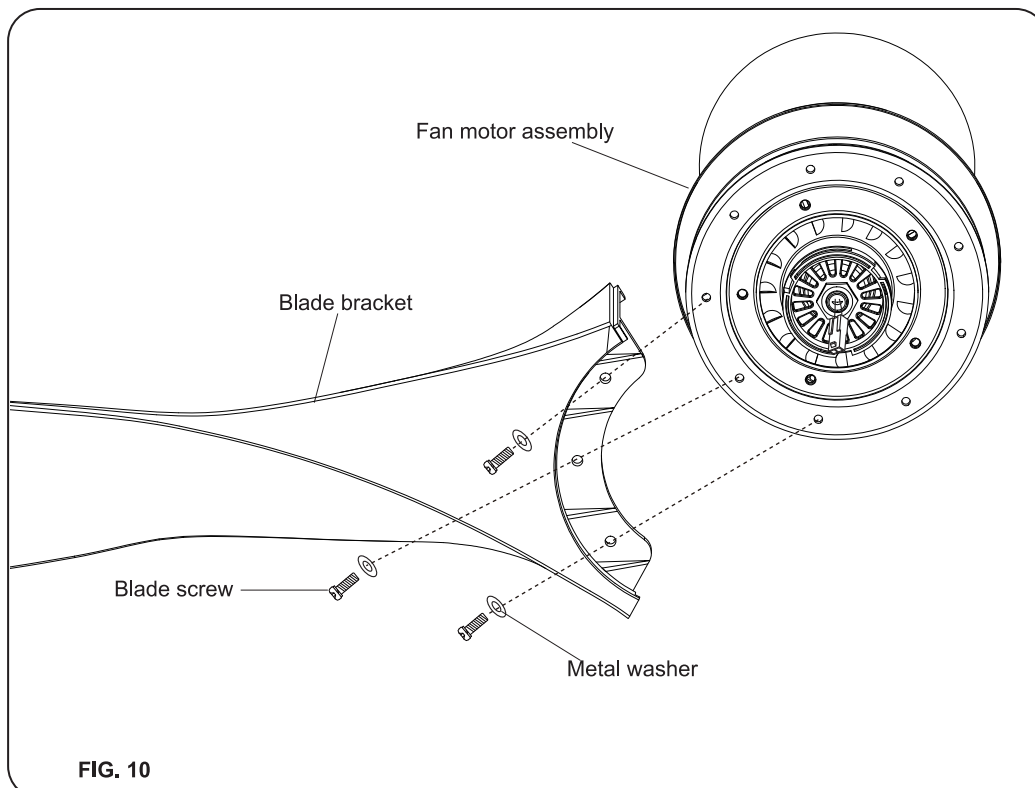
Finishing the installation

- Step 1. Remove one screw from the mounting bracket and loosen the other screw approximately 1/4 turn.
- Step 2. Carefully raise the canopy up to the mounting bracket, and ensure the loosened screw is inserted into the key hole on the canopy. Rotate the canopy clockwise. (Fig. 9)
- Step 3. Secure the canopy by replacing the screw previously removed and tightening the screw previously loosened. (Fig. 9)
- Step 4. Place the canopy cover on the canopy, and rotate the canopy cover clockwise until it locks into position. (Fig. 9)



Blade installation

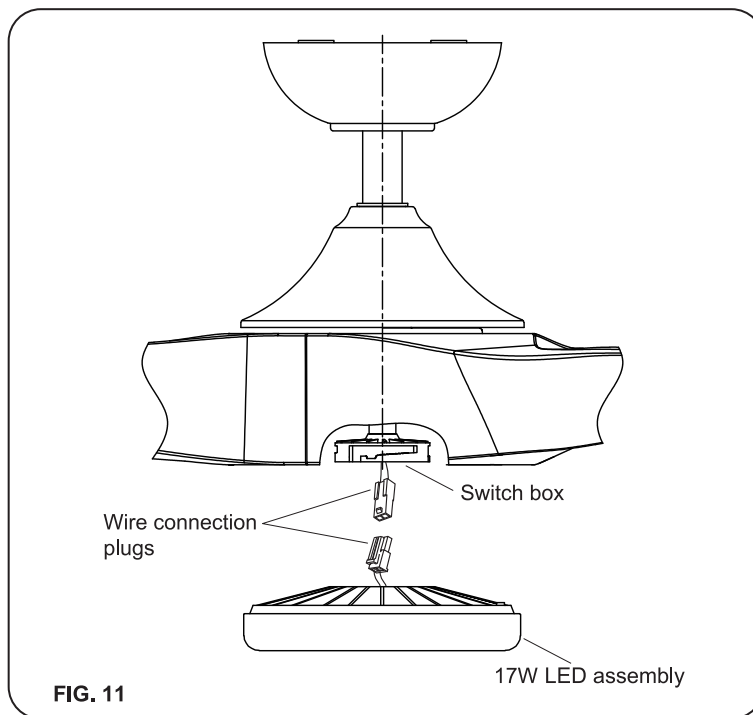
- Step 1. Attach the blade to the fan motor assembly by tightening the three blade screws and three metal washers. Repeat the process for the other two blades. (Fig. 10)



Installing the 17W LED assembly

Step 1. While holding the 17W LED assembly under your fan, firmly snap the wire connection plugs together. (Fig.11)

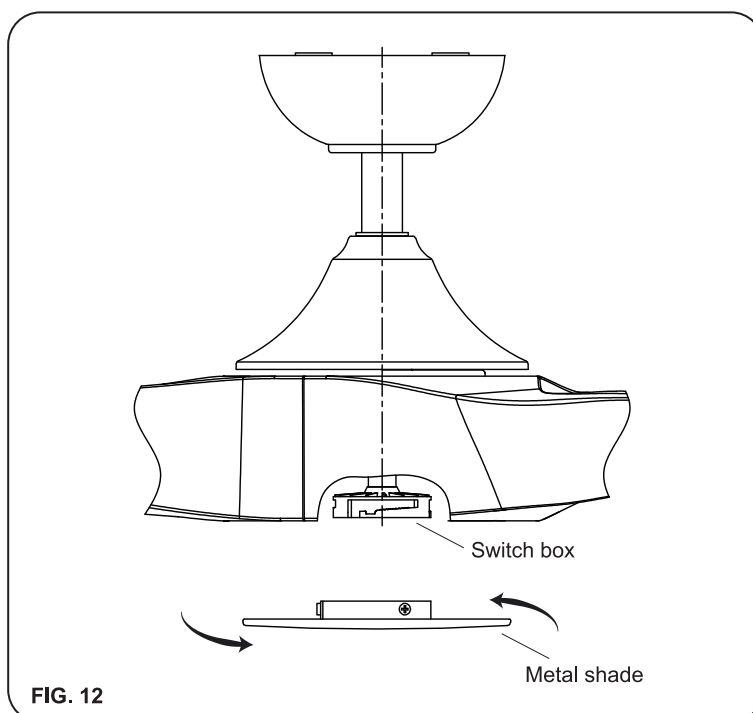
Step 2. Attach the 17W LED assembly to the switch box by twisting tightly. (Fig.11)



Installing the metal shade

If you want the fan to be without light, please skip the last step in Fig.11 and install the metal cap directly. Raise metal shade up against switch box of fan assembly and secure it to fan by turning it clockwise until snug. DO NOT OVERTIGHTEN. (Fig.12)

Note: Installing the metal shade. Make sure the metal shade is securely tighten.



Programming the remote


Note: The system is equipped with a learning frequency function which has 32 code combinations to prevent potential interference from other remote units. The frequency on your receiver and transmitter units have been preset at the factory. No frequency change is necessary, should you desire to install another fan within the same home or area with a separate frequency code. please kindly see below instruction manual to learn how to change the frequency.



Install a A23,12 Volt battery(included.)To prevent damage to transmitter remove the battery if not used for long periods of time.

Step 1: Turn the power off to your ceiling fan.

Step 2: Please use a small size tool to change the frequency settings on the control system.

Step 3: Return power to the unit.

Note: After the AC power is on, do not press any other button on the transmitter before pressing the "  " button; doing so will cause the procedure to fail

Setp 4: Within 60 seconds of turning the Fan's AC power ON. Press the transmitter's "  " button and hold the "  " button for 5 seconds.

Setp 5: Once the receiver has detected the set frequency, the down light of your fan will blink twice and the fan will begin to rotate for a short period and then shut off.

Setp 6: The receiver has now learned the frequency which has been selected on the transmitter. After completing the steps above, you should be able to operate the ceiling fan and light. If the fan is not responding to the transmitter, please turn the power off to the receiver, and repeat the process.

Dimmer function :

The set code has been fixed to "Dimmer" at the factory. it means the light not only can be on/off, but also can be dimmer.

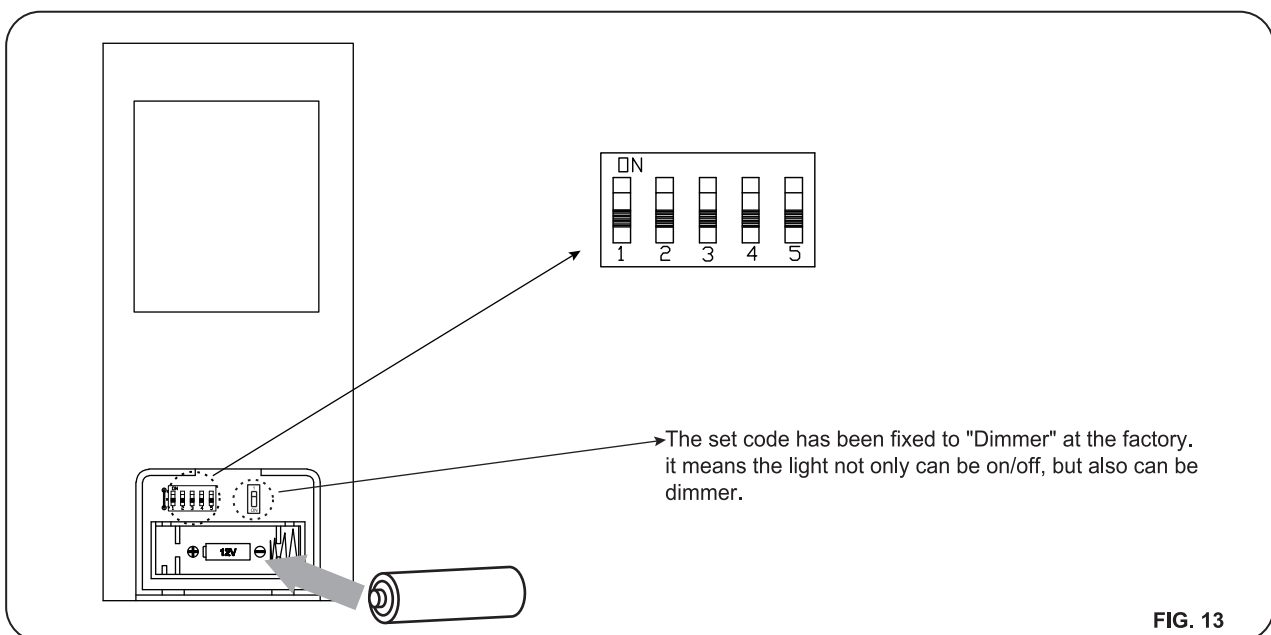


FIG. 13

Operating the transmitter

a. “”, “”, “”, “”, “” and “” buttons:

These three buttons are used to select the fan speed.

Press and release the button of the desired speed setting:

 = Low speed


 = Medium Low speed

 = Medium speed

 = Medium High speed

 = High speed

 = Extra High speed

b. “” button: This button will turn the light on or off and will also control the brightness setting. Press and release the button and the light will turn on or cycle continuously between bright and dim settings as long as the button is held down. The light key has auto resume, it will stay at the same brightness as the last time it was turned off.

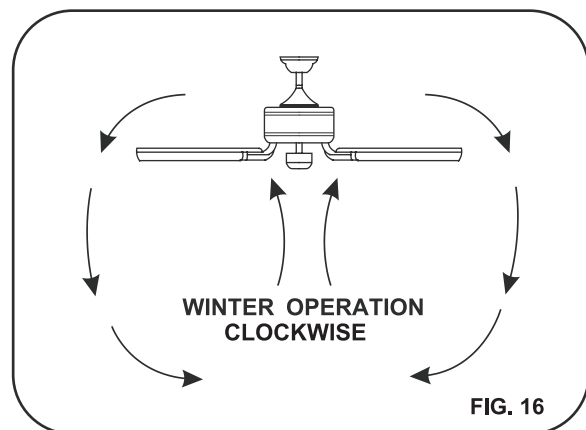
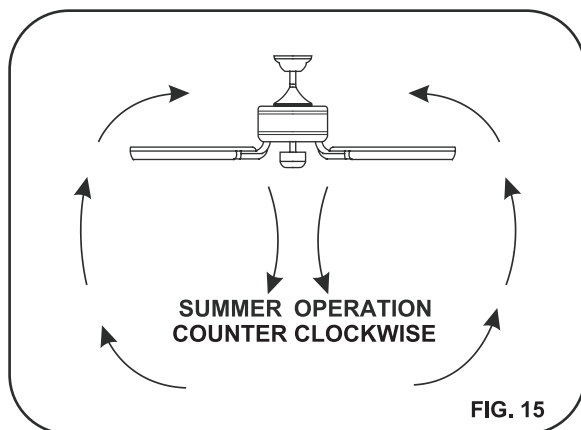
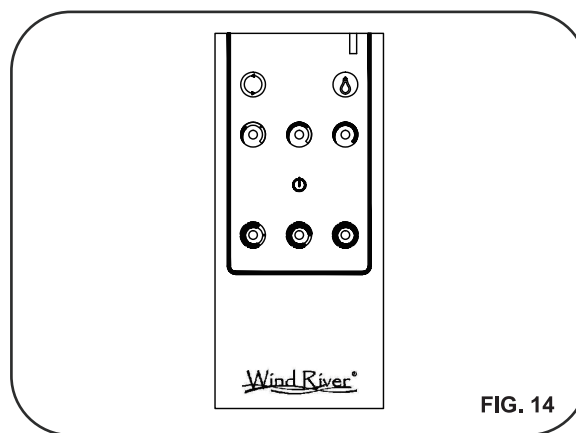
c. “” button: This button will turn the fan off.

d. “” button: Controls the fan direction.

NOTE: To operate the reverse function on this fan, press the reverse function button while the fan is running.

Warm weather - (Counterclockwise Direction) A downward air flow creates a cooling effect. This allows you to set your air conditioner on a higher setting without affecting your comfort.

Cool weather - (Clockwise Direction) An upward air flow moves warm air off the ceiling. This allows you to set your heating unit on a lower setting without affecting your comfort.



Connect your smart fan to BOND

After testing all operations of the ceiling fan and remote control, you are now ready to connect your smart fan to the BOND HOME APP. Download the BOND HOME APP using the Google Play or Apple Play Store and follow the prompts given.

Care and cleaning

Check the support connections, brackets, and blade attachments twice a year. Ensure they are secure. Because of the fan's natural movement, some connections may become loose over time. It is not necessary to remove the fan from the ceiling.

Clean your fan periodically. Use only a soft brush or lint-free cloth to avoid scratching the finish. The plating is sealed with a lacquer to minimize discoloration or tarnishing.

(Optional) Apply a light coat of furniture polish to the wood blades.

(Optional) Cover small scratches with a light application of shoe polish.

Do not use water when cleaning. Water could damage the motor, or the wood, or possibly cause an electrical shock.

Do not apply oil to your fan or motor. The motor has permanently-lubricated sealed ball bearings.

Troubleshooting

Problem	Solution
The fan will not start.	Check main and branch circuit fuses or breakers.
	Check line wire connections to the fan and switch wire connections in the switch housing.
The fan sounds noisy.	Make sure all motor housing screws are snug.
	Make sure the screws that attach the fan blade arm to the motor hub are tight.
	Make sure wire nut connections are not rattling against each other or the interior wall of the switch housing.
	Allow a 24-hour "breaking-in" period. Most noises associated with a new fan disappear during this time.
	If using the ceiling light kit, make sure the screws securing the glassware are tight. Check that the light bulb is also secure.
	Make sure there is a short distance from the ceiling to the canopy. It should not touch the ceiling.
The fan wobbles.	Make sure your ceiling box is secure and rubber isolator pads are used between the mounting bracket and outlet box.
	Check that all blade and blade arm screws are secure.
	Most fan wobble problems are caused when blade levels are unequal. Check this level by selecting a point on the ceiling above the tip of one of the blades. Measure from a point on the center of each blade to the point on the ceiling. Rotate the fan until the next blade is positioned for measurement. Repeat for each blade. Measurements deviation should be within 1/8 in. Run the fan for 10 minutes.
	Use the enclosed blade balancing kit if the blade wobble is still noticeable.

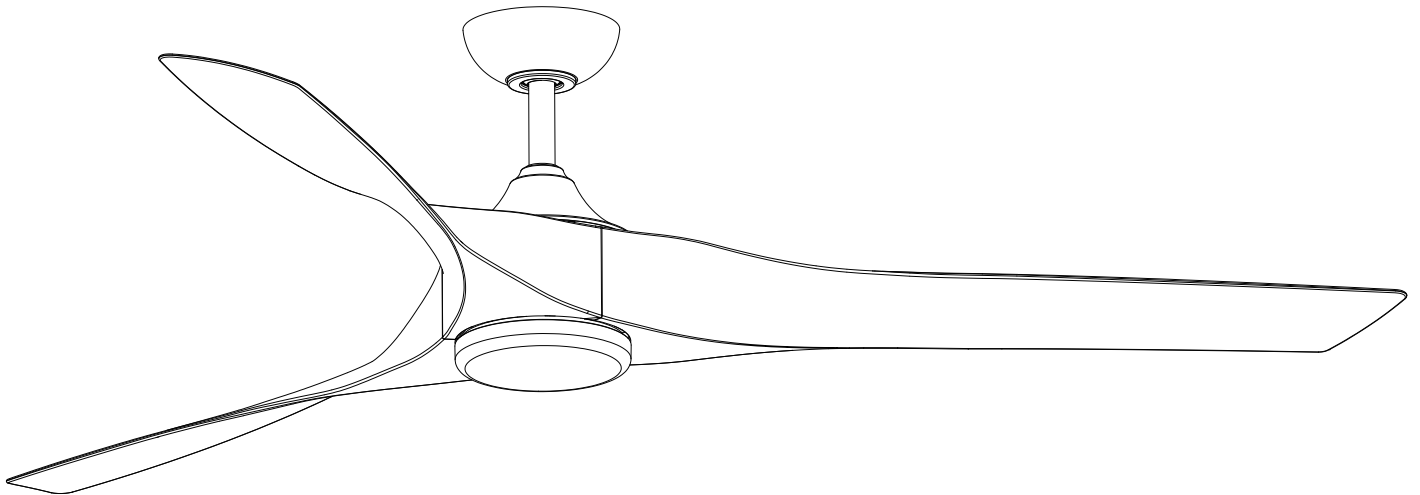


Questions, problems, missing parts? Before returning to your retailer, call our customer service department at **855-817-WIND (9463)**
 8 a.m. - 5 p.m., EST, Monday-Friday
 E-mail: service@windriver.com



Ventilador de techo inteligente para interiores / exteriores
con cobertura Wi-Fi de 70" Willow XL™

Lea y guarde estas instrucciones



¿Preguntas, problemas, partes perdidas? Antes de volver a la tienda, llame a nuestro departamento de servicio al cliente al **855-817-WIND (9463)**
8 a.m. - 5 p.m., EST, Lunes-Viernes
E-mail: service@windriverus.com



WR2121 SERIES

Velocidad	Voltios	Amperios	Vatios	RPM	CFM	N.W.	G.W.	C.F.
Baja	120	0.07	3.15	49	2554	8.5 kgs (18.7 lbs)	10.22 kgs (22.48 lbs)	2.732 ft.
Medio-bajo		0.09	4.4	64	3465			
Mediana		0.13	6.6	79	4613			
Medio-alto		0.17	9.2	94	5554			
Alto		0.25	14	109	6610			
Más alta		0.35	19.45	125	7667			

NOTA: Estas son mediciones aproximadas. No incluyen los Amperios y vatios usado por el juego de iluminación.

Règles de sécurité

1. Para reducir el riesgo de electrocución, asegurarse de que la electricidad se ha desactivado en el cortacircuitos o caja de fusibles antes de comenzar.
2. Todos los cables deben cumplir con el Código Eléctrico Nacional "ANSI/NFPA 70-1999" y los códigos eléctricos locales. La instalación eléctrica debería realizarla un electricista profesional cualificado.
3. La caja de distribución y la estructura de soporte deben estar montados de manera segura y deben ser capaces de soportar, de manera confiable, un mínimo de 35 libras (15,9 kilogramos). Usar solamente cajas de distribución listadas por U.L. marcadas "PARA SOPORTE DE VENTILADORES".
4. EL ventilador debe estar montado con un mínimo de 10 pies (305 cm) de espacio libre desde el borde posterior de las aspas hasta el piso.
5. Tras realizar las conexiones eléctricas, los conductores empalmados deberían girarse hacia arriba y meterse con cuidado en la toma de corriente. Los cables deberían separarse con el conductor a tierra y el conductor de tierra del equipo por un lado de la toma de corriente y el conductor no conectado a tierra en el otro lado de la toma de corriente.
6. Todos los tornillos deberían ser comprobados y revisados antes de la instalación.



ADVERTENCIA: Por reducir el riesgo de descargas eléctricas o incendios, no utilice este ventilador con ningún controlador de velocidad del ventilador de estado sólido. Por favor, póngase en contacto con el distribuidor o con Wind River llamando al **855-817-WIND (9463)** si utilice el mando de estado sólido a distancia.

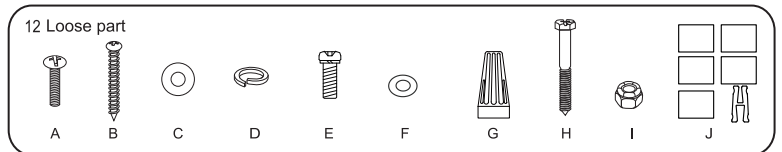
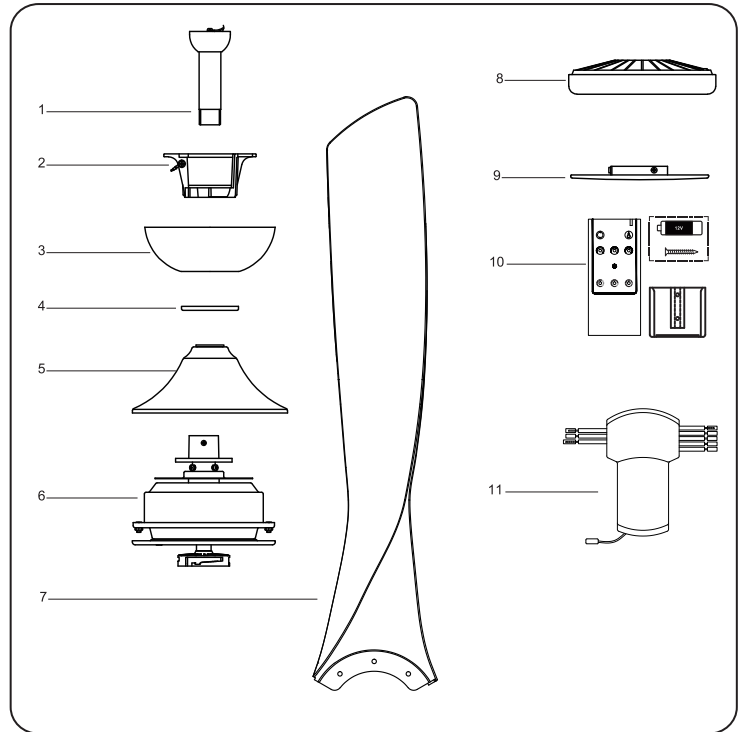


ADVERTENCIA: Para reducir el riesgo de fuego, descarga eléctrica o lesiones personales, monte el ventilador a una toma de corriente marcada como compatible para soportar un ventilador con los tornillos incluidos en la toma de corriente.

Contenidos en paquete

Desembalar el ventilador y revisar el contenido. Vease pagina 2. Debe tener los siguientes elementos:

1. Conjunto de varilla (1)
2. Soporte de montaje (1)
3. Tapa (1)
4. Tapa de cubierta (1)
5. Cubierta de acoplamiento (1)
6. Conjunto de motor de ventilador (1)
7. Hojas de ventilador (3)
8. Conjunto LED 17W
9. Sombra Metalica (1)
10. Transmisor con portatransmisores + 2 tornillos de montaje + bateria A23 de 12 voltios (1)
11. Receptor (1)
12. El bolso de accesorios incluye:
 - A: Tornillo de máquina (2)
 - B: Tornillo de madera (2)
 - C: Arandela de metálica (2)
 - D: Arandela de seguridad (2)
 - E: Tornillo de hoja (9 + 1 repuesto)
 - F: Arandelas de metal (9 + 1 repuesto)
 - G: Tuerca de alambre plástica (9)
 - H: Perno de seguridad (1)
 - I: Tuerca (1)
 - J: Conjunto de balanceo (1)



Comenzando la instalacion

Herramientas necesarias: Un desarmador plano, un desarmador de cruz, cortadoras de alambre, cinta aislante.

OPCIONES DE MONTAJE

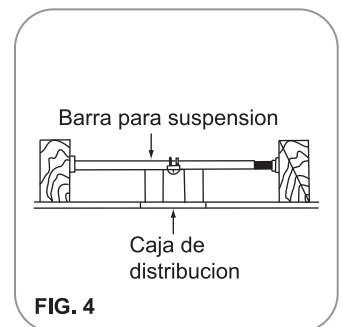
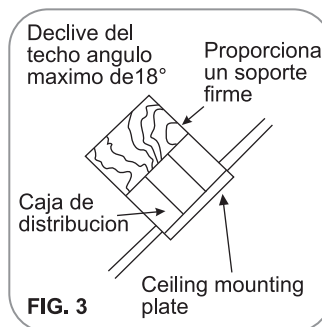
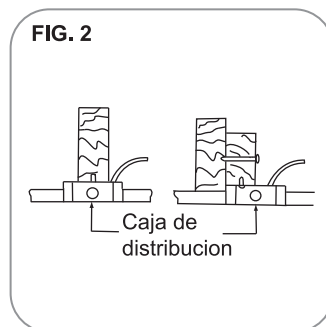
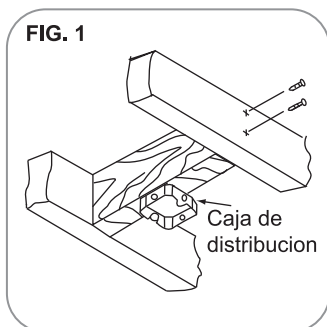
Si no existe una caja de distribucion instalada, siga las siguientes instrucciones. Desconecte la energía eléctrica apagando los interruptores del circuito o sacando los fusibles.

Asegure la caja de distribucion directamente en la estructura del edificio. Use los soportes y materiales de construccion apropiados. La caja de distribucion y soporte deben de ser capaces de soportar todo el peso en movimiento del ventilador (minimo de 35 libras). Use una caja de metal que esté aprovada por UL marcada "Acceptable for Ceiling Fan Support". No use cajas de distribucion de plástico.

Las ilustraciones 1, 2 y 3 muestran alternativas diferentes para montar la caja de distribucion.

Nota: Por favor, póngase en contacto con el distribuidor o con Wind River en el **855-817-WIND (9463)** si necesita una varilla regulable más larga para mantener la holgur adecuada de las palas cuando lo instale en un techo inclinado.

Para colgar su ventilador donde anteriormente había una lámpara pero no hay viga, prodria necesitar instalar una abrazadera de soporte como se muestra en la ilustracion 4.



Colgando el ventilador

Advertencia: Utilice todas piezas metálicas y componentes proporcionados por Wind River. El uso de otras piezas metálicas o componentes no suministrados por Wind River con el ventilador, se anulará la Garantía de Wind River

RECORDAR: Apagar la energía eléctrica en el circuito principal o en la caja de fusibles:

Paso 1. Fije la soporte de montaje a la caja de salida con dos tornillos y arandelas suministrados con la caja de salida. Asegúrese de que la soporte de montaje este apretada y asegurada.(Fig.5)

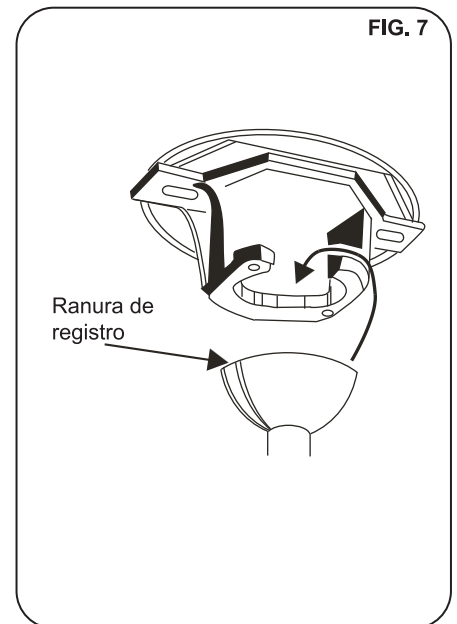
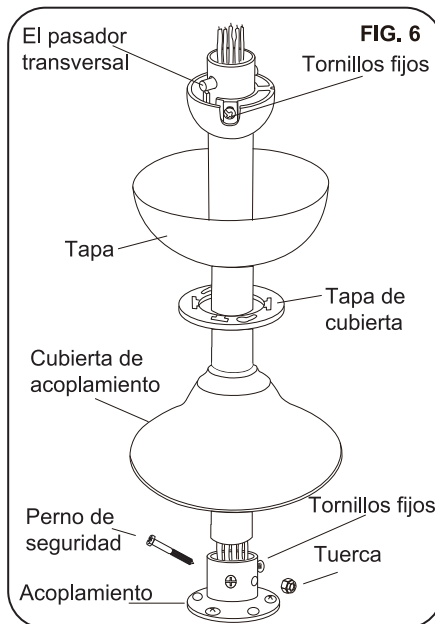
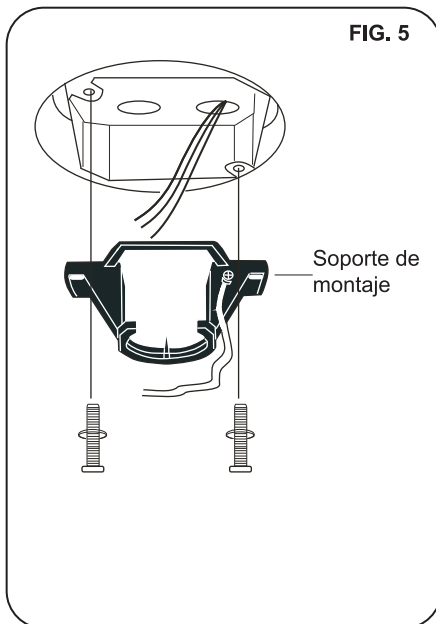
Paso 2. Afije los dos tornillos de fijación del acoplamiento del conjunto del motor del ventilador del motor. (Fig.6)

Paso 3. Quite la bola de suspensión de la varilla por afijando el tornillo de fijación de la bola de suspensión, y quitando el pasador transversal, entonces deslizando la bola de suspensión fuera de la varilla. (Fig.6)

Paso 4. Proporcione los cables del ventilador a través de la varilla cuidadosamente. (Fig.6). Atornille la varilla en el acoplamiento del conjunto del motor del ventilador. Inserte el perno de seguridad en el acoplamiento y la varilla e instale la tuerca. Apriete bien. Entonces apriete los tornillos de fijación.

Paso 5. Deslice la cubierta de acoplamiento, la tapa de cubierta, y la tapa en la varilla (Fig.6). Y vuelva a instalar la bola de suspensión cuidadosamente en la varilla, entonces por favor asegúrese de que el pasador transversal esté en la posición correcta, los tornillos de fijación estén apretados, y los alambres no sean torcidos.

Paso 6. Levante el conjunto del motor del ventilador en la posición, y coloque la bola de suspensión en el soporte de montaje. Gire el conjunto del motor del ventilador hasta que la ranura de prueba estén en la ranura de registro y lo coloque firmemente.(Fig.7) Debe girar la varilla en caso de falla operación.



Conexiones eléctricas

RECORDAR no se olvide de desconectar la energía eléctrica en el circuito principal o en la caja de fusibles.

Siga los siguientes pasos para conectar el ventilador a los alambres de la casa que suministran la energía eléctrica. Use los conectores de alambres que vienen con su ventilador. Para que los conectores queden firmes, envuelva la conexión con cinta aislante.

Paso 1. Conexiones Eléctricas del Motor al receptor:

Conecte el cable BLANCO del ventilador al cable BLANCO del receptor con marcado "Light N" .

Conecte el cable AZUL del ventilador al cable AZUL del receptor con marcado "Light L" .

Conecte el cable AMARILLO del ventilador al cable AMARILLO del Receptor marcado de "MOTOR 1" .

Conecte el cable ROJO del ventilador al cable ROJO del Receptor marcado "MOTOR 2" .

Conecte el cable GRIS del ventilador al cable GRIS del Receptor marcado "MOTOR 3" .

Paso 2. Conecte el cable BLANCO (Neutral) de la caja de salida al cable BLANCO del receptor marcado "AC in N" . Conecte el cable NEGRO (Hot) de la caja de salida al cable NEGRO del receptor marcado "AC in L" .

Paso 3. Conecte el cable a tierra (verde o cobre desnudo) de la caja de salida al cable a tierra de la bola colgante y al cable a tierra del soporte de montaje.

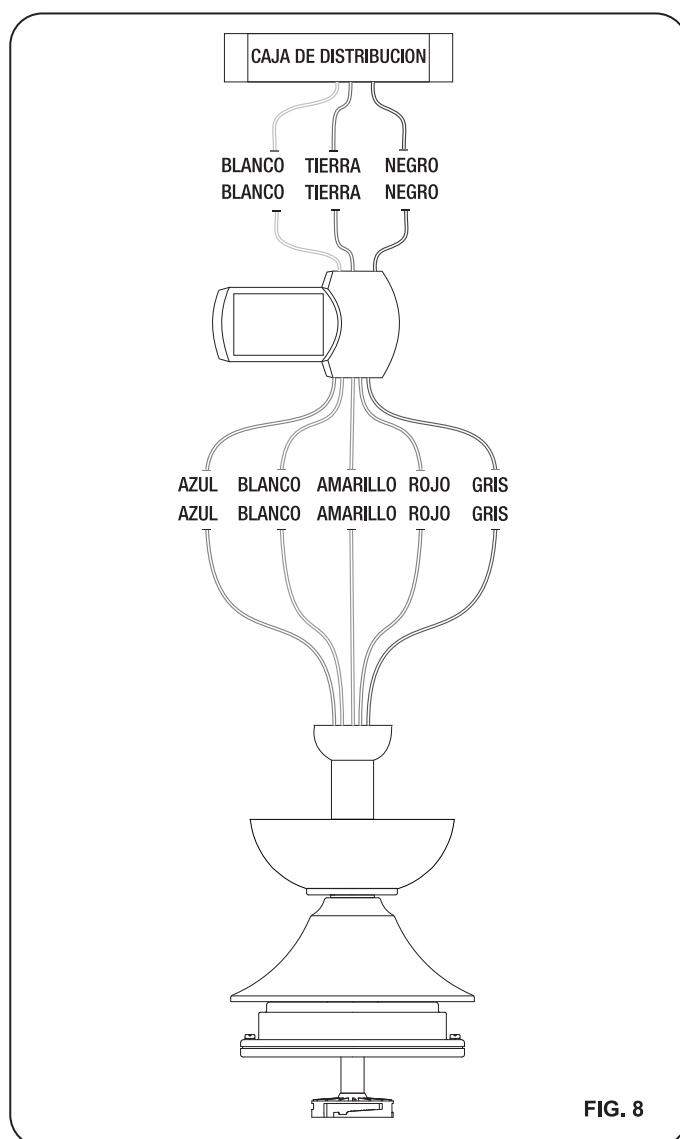
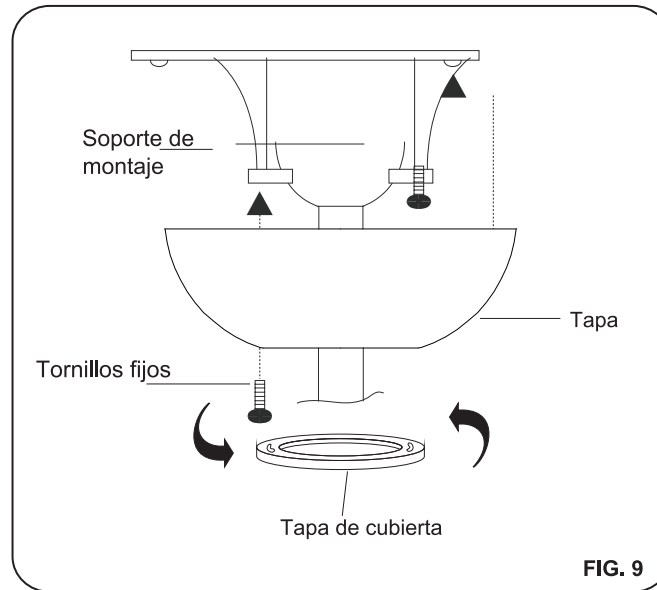


FIG. 8

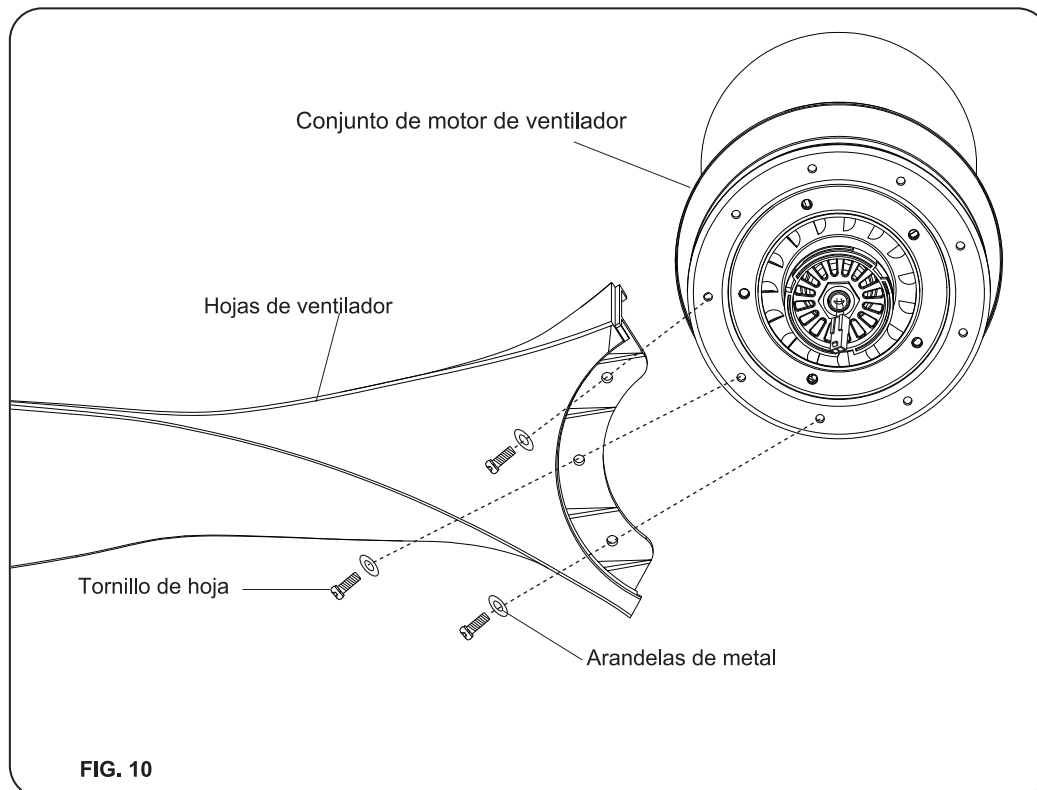
Terminando la instalacion

- Paso 1. Quite un tornillo del soporte de montaje y afloje el otro tornillo por 1/4 de vuelta más o menos.
- Paso 2. Levante la tapa con mucho cuidado al soporte de montaje, y compruebe que el tornillo aflojado haya insertado en el agujero de la llave en la tapa. Gire la tapa en sentido horario. (Fig. 9)
- Paso 3. Fije la tapa (C) por reemplazando el tornillo previamente quitado y apretando el tornillo previamente aflojado. (Fig. 9)
- Paso 4. Coloque la cubierta de tapa en la misma y gire la cubierta de tapa en el sentido de la aguja del reloj hasta que él bloquee en su posición. (Fig. 9)



Instalación de las hojas

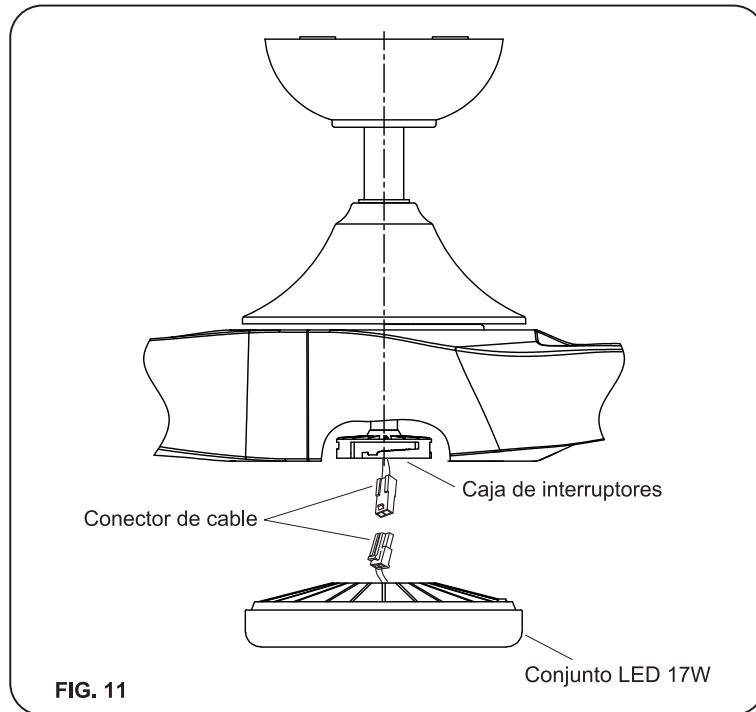
- Paso 1. Sujetar la aspa al ensamblaje del motor del ventilador apretando los tres tornillos de la aspa y las tres arandelas de metal. Repita el proceso para las otras dos aspas. (Fig.10)



Instalación del conjunto LED 17W

Paso 1. Sosteniendo la conjunto LED 17W bajo el ventilador, se encajan las clavijas de conexión de cables. (Fig.11)

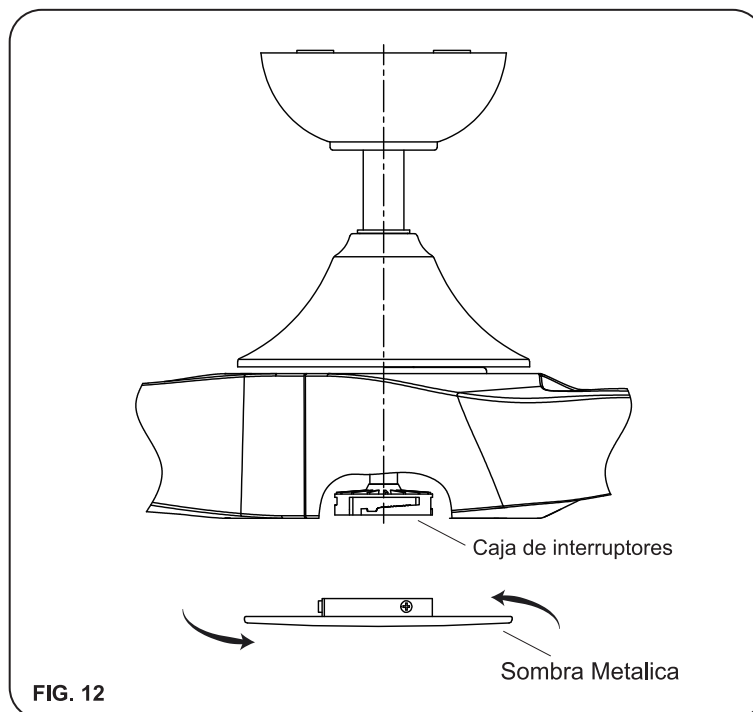
Paso 2. Coloque la conjunto LED 17W a la placa caja del interruptor, y lo gitando con fuerza. (Fig.11)



Instalación del Sombra Metalica

Si desea el ventilador sin la luz, omita el último paso señalado en la Fig. 11 e instale la tapa de metal directamente. Levante la pantalla metálica contra la caja de interruptores del ensamblaje del ventilador y sujetanla al ventilador girándola en el sentido directo hasta se adapte. NO LO APRIETE DEMASIADO. (Fig.12)

Nota: La instalación de la pantalla de metal. Asegúrese de que la pantalla de metal está apretado con firmeza.



Programación del mando a distancia


Nota: El sistema está equipado con una función de aprender frecuencia que cuenta con 32 combinaciones de códigos a evitar interferencia potencial de otras unidades remotas. La frecuencia en su receptor y transmisoras ha sido preajustado en la fábrica. No es necesario cambiar la frecuencia, si desea instalar otro ventilador dentro de la misma casa o área con un código de frecuencia separado, vease el manual de instrucciones a continuación para aprender cómo cambiar la frecuencia.



Instale una batería de 12V en el control remoto. Para evitar los daños del control remoto, por favor quita la batería si no la utiliza por un largo tiempo.

Poso 1: Desconecte la alimentación de su ventilador de techo.

Poso 2: Utilice una pequeña herramienta de tamaño para cambiar los ajustes de frecuencia en el sistema de control.

Poso 3: Regrese la electricidad a la unidad.

Nota: Después regresar la electricidad, no oprime ningún otro botón en el transmisor antes de oprimir el botón "  ", al hacerlo hará que el procedimiento falle.

Poso 4: Dentro de los 60 segundos después de encender la electricidad al ventilador. oprime el botón "  " en el transmisor y mantenga presionado el botón de "  " durante 5 segundos.

Poso 5: Una vez que el receptor ha detectado la frecuencia establecida, la luz hacia abajo de su ventilador se encenderá dos veces y el ventilador comenzará a girar por un período corto y luego se apaga.

Poso 6: El receptor se ha enterado de la frecuencia que ha sido seleccionado en el transmisor. Después de completar los pasos anteriores, usted debería ser capaz de operar el ventilador de techo y la luz. Si el ventilador no está respondiendo al transmisor, por favor apague la alimentación al receptor, y repeta el proceso.

Función de atenuar:

El código establecido se fijó en "Dimmer" en la fábrica. significa que la luz no solo se puede encender/apagar, sino que también se puede atenuar.

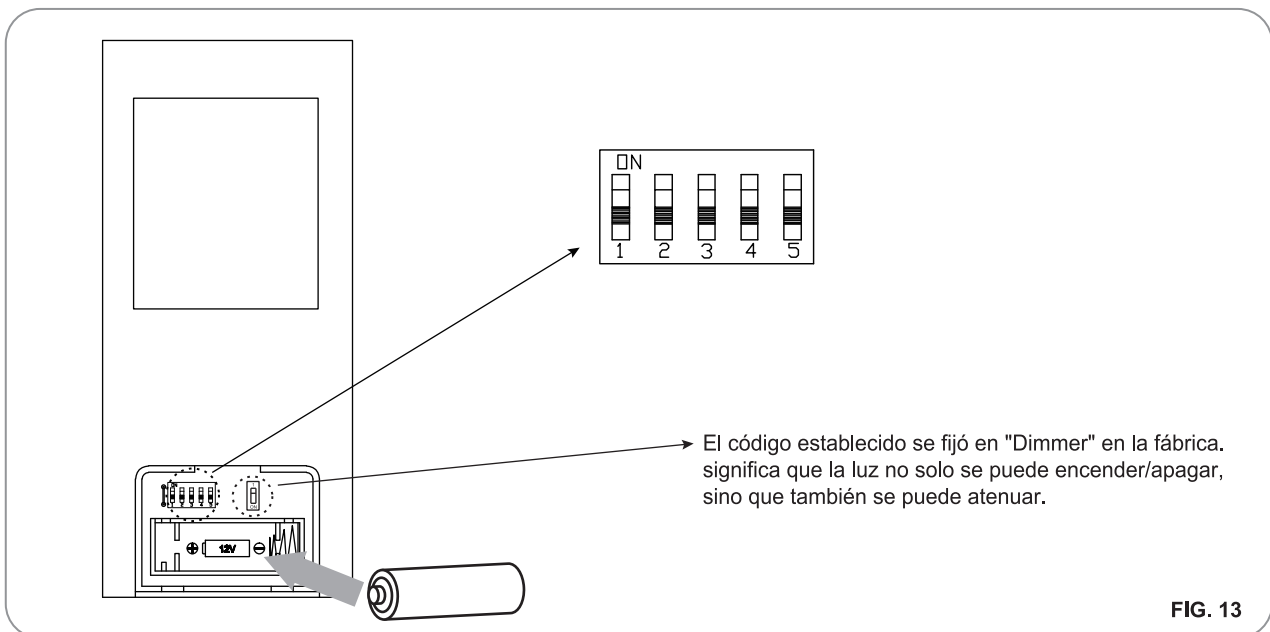


FIG. 13

Operacion del transmisor


a. Interruptor “”, “”, “”, “”, “”, “”:

Estos interruptores seleccionan la velocidad de la manera siguiente;

 = Velocidad Baja


 = Velocidad Mediana-bajo

 = Velocidad Mediana

 = Velocidad Mediana-alto

 = Velocidad Alta

 = Velocidad Más alta

b. Interruptor “” : Estos interruptores prenden, apagan y controlan la intensidad de la luz. Para prender o apagar la lampara oprima y suelte el interruptor de la lampara deseada. Para cambiar la intensidad de la luz oprima y sostenga el interruptor. La luz mantendra un ciclo continuo entre la luz mas intensa y la luz mas baja mientras el interruptor se mantenga oprimido. La luz se mantendra a la misma intensidad que la ultima ves que la uso.

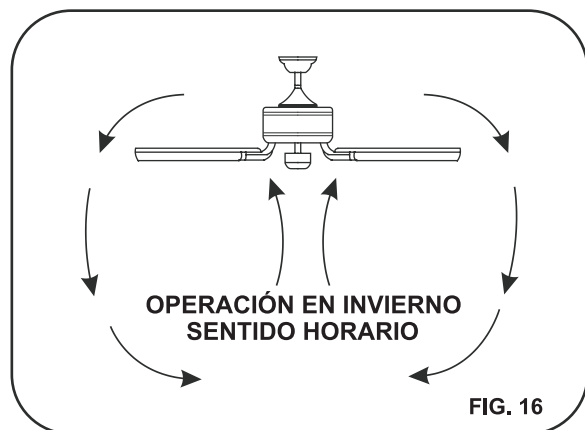
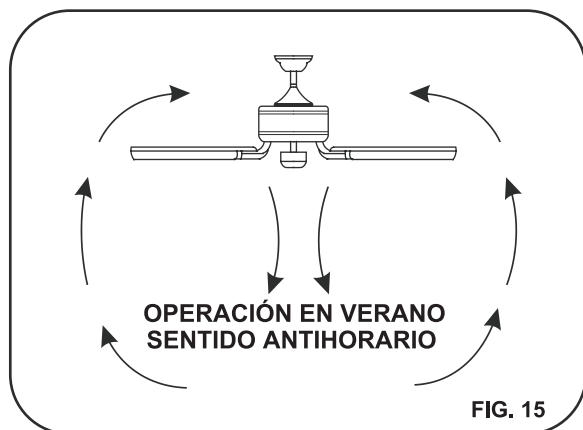
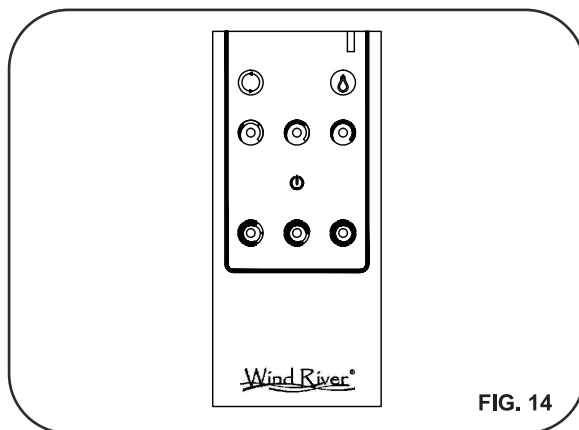
c. Interruptor “” : Este interruptor apaga el ventilador.

d. Interruptor “” : Controla la dirección del ventilador.

NOTA: Para utilizar la función inversa de este ventilador, presione el botón de función inversa cuando el ventilador está en funcionamiento.

Clima cálido - (Adelante) Una corriente de aire descendente crea un efecto refrescante como se muestra en. Esto le permite ajustar su aire acondicionado en un mayor ajuste sin que ello afecte su comodidad.

Clima Frío - (Inversa) Un flujo de aire mueve el aire caliente hacia arriba fuera de la zona límite, como se muestra en. Esto le permite configurar su unidad de calefacción en un ajuste más bajo sin afectar a su comodidad.



Conecta su ventilador inteligente a BOND

Después de probar todas las operaciones del ventilador de techo y el control remoto, ahora está listo para conectar su ventilador inteligente a la aplicación BOND HOME. Descargue la APLICACIÓN BOND HOME en Google Play o Apple Play Store y siga las instrucciones que se le dan.

Cuidado y Limpieza

Verifique las conexiones de soporte, soportes y equipos de hoja dos veces por un año. Y asegúrese de fijarlos bien. Debido al movimiento natural del ventilador, unas conexiones puedan aflojarse por un tiempo. No es necesario de quitar el ventilador del techo.

Limpie el ventilador periódicamente. Sólo utilice un paño suave o libre de hilas para evitar la rascadura del acabado. El revestimiento se selle con barniz para minimizar la descoloración o deslustre.

(Opcional) Aplique una capa ligera de lustre de mueble en las hojas de madera.

(Opcional) Cubre las rascaduras pequeñas con unos lustres de zapatos.

No pueda utilizar aguas a la limpieza. El agua pueda dañar el motor, la madera o causar un choque eléctrico posiblemente.

No pueda aplicar aceite en el ventilador o el motor. Los rodamientos de bolas del motor han sido lubricados permanentemente.

Solución de averías

Problema	Solución
El ventilador no funciona	Revisar los fusibles o interruptores de circuitos.
	Verificar las conexiones de cables de línea al ventilador y conexiones de cable del interruptor.
El ventilador emiteruido	Asegurarse de que todos los tornillos de la cubierta del motor estén ajustados.
	Asegurarse de que los tornillos que sujetan el soporte de aspas del ventilador al eje del motor estén apretados.
	Asegurarse de que las conexiones de tuercas para cable no esten rozando unas contra otras o contra la pared interior de la cubierta protectora del interruptor.
	Permitir un período de "desgaste" de 24 horas. La moyaría de los ruidos asociados con un ventilador nuevo desaparecen durante este tirmpo.
	Si se está usando un juego opcional de iluminación para el venitlador de techo, asegurese de que los tornillos que aseguran el vidrio estén apretados. Asimismo, verificar que la bombilla esté segura.
	Asegurarse de que el escudete superior esté a una corta distancia del techo. No debe hacer contacto con el techo.
Las oscilaciones de ventilador	Asegúrese de que la caja del techo esté fija y que las almohadillas aislantes de goma estén colocadas entre el soporte de montaje y la toma de corriente.
	Verifique si todas las hojas y los tornillos de brazo de hoja sean fijados.
	La mayoría de los problemas sobre la oscilación es causada cuando los niveles de hoja son irrregulares. Veri□que el nivel por seleccionando un punto del techo encima del extremo de una de las hojas. Y tome la medidas desde un punto en el centro de caja hoja al punto del techo. Gire el ventilador hasta que la hoja siguiente sea situada para la medida. Repite por caja hoja. La desviación de las medidas debe estar dentro de 1/8 pulgadas. Y funcione el ventilador por diez minutos.
	Utilice el conjunto de balanceo de hoja adjuntivo si la oscilación de hoja todavía es notable.



¿Preguntas, problemas, partes perdidas? Antes de volver a la tienda, llame a nuestro departamento de servicio al cliente al **855-817-WIND (9463)**

8 a.m. - 5 p.m., EST, Lunes-Viernes

E-mail: service@windriver.com