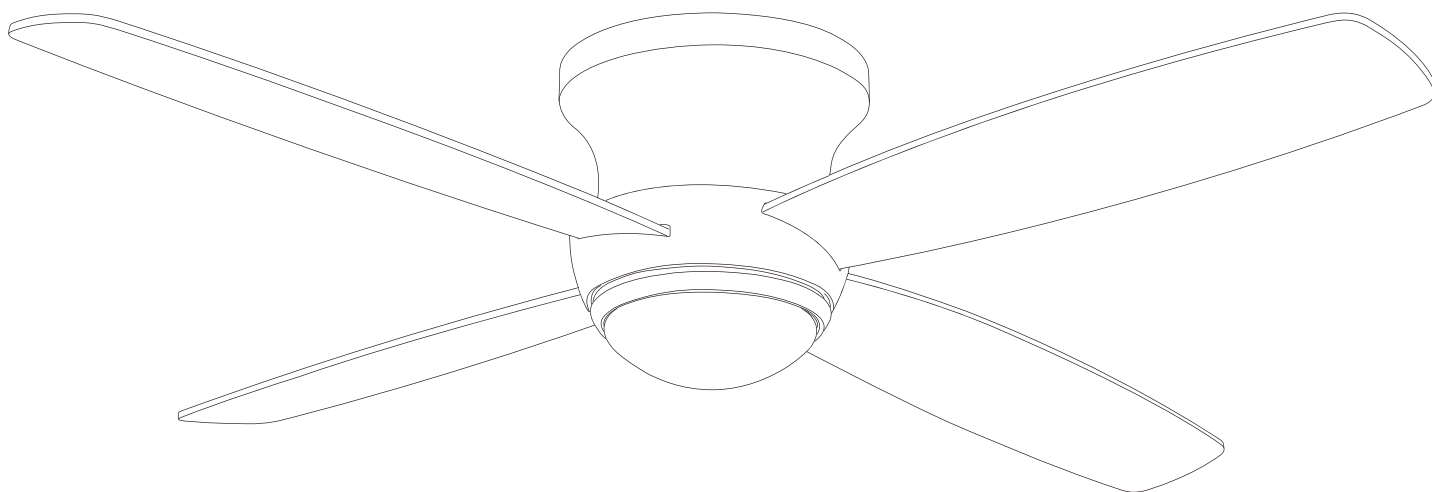


Wind River®

52" Zorion™

Read and save these instructions



Questions, problems, missing parts? Before returning to your retailer, call our customer service department at **855-817-WIND (9463)**
 8 a.m. - 5 p.m., EST, Monday-Friday
 E-mail: service@windriverus.com



WR1464 SERIES

Speed	Volts	Amps	Watts	RPM	CFM	N.W.	G.W.	C.F.
Low	120	0.23	14.28	77	1662	7.2 kgs (15.8 lbs)	8.4 kgs (18.4 lbs)	1.86 ft.
Medium		0.32	27.8	111	2543			
High		0.44	52.25	164	3473			

NOTE: These are approximate measures. They do not include amps and wattage used by the light kit.

340644010181

Safety tips

1. To reduce the risk of electric shock, ensure electricity has been turned off at the circuit breaker or fuse box before beginning.
2. All wiring must be in accordance with the National Electrical Code “ANSI/NFPA 70-1999” and local electrical codes. Electrical installation should be performed by a qualified licensed electrician.
3. The outlet box and support structure must be securely mounted and capable of reliably supporting a minimum of 35 lbs. Use only UL Listed outlet boxes marked “FOR FAN SUPPORT.”
4. The fan must be mounted with a minimum of 7 ft. clearance from the trailing edge of the blades to the floor.
5. After making electrical connections, spliced conductors should be turned upward and pushed carefully up into the outlet box. The wires should be spread apart with the grounded conductor and the equipment-grounding conductor on one side of the outlet box and ungrounded conductor on the other side of the outlet box.
6. All setscrews must be checked and retightened where necessary before installation.



WARNING: To reduce the risk of electrical shock or fire, do not use this fan with any solid-state fan speed control device. Please contact with dealer or Wind River at **855-817-WIND (9463)** if using solid-state remote.

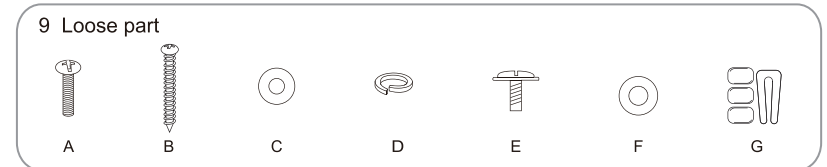
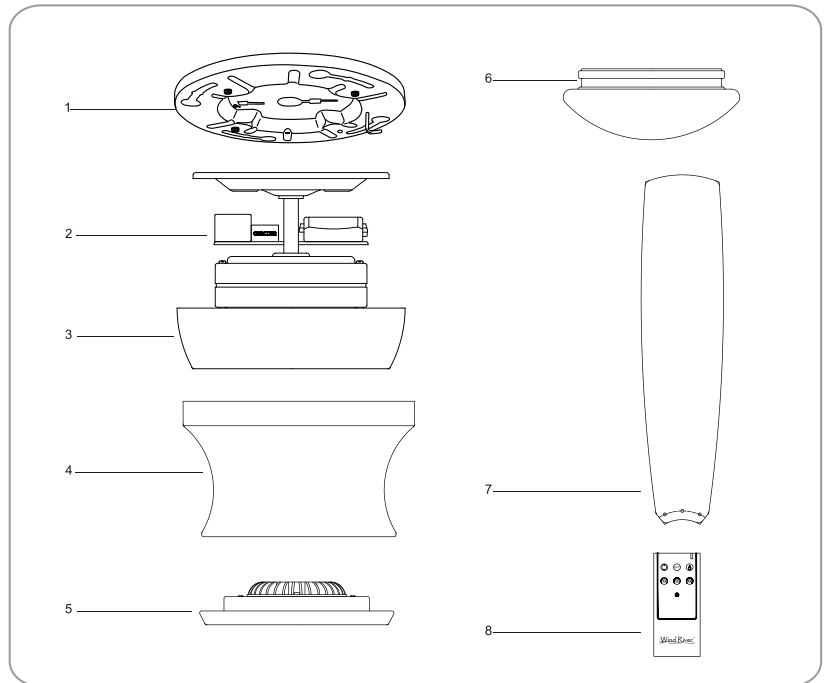


WARNING: To reduce the risk of fire, electric shock, or personal injury, mount the fan to the outlet box marked acceptable for fan support with the screws provided with the outlet box.

Package contents

Unpack your fan and check the contents. See page 2. You should have the following items:

1. Mounting bracket (1)
2. Fan motor assembly (1)
3. Flywheel (pre-assembled) (1)
4. Fan housing (1)
5. 18W LED assembly (1)
6. Glass shade (1)
7. Blade (4)
8. Transmitter+holder+2 mounting screws+A23 12V battery(1)
9. Loose parts bag containing
 - A: Machine screw (2)
 - B: Wood screw (2)
 - C: Metal washer (2)
 - D: Lock washer (2)
 - E: Blade screw (13)
 - F: Fiber washer (13)
 - G: Balancing kit (1)



Begin installation

Tools Required: Phillips screw driver; slotted screw driver; pliers; wire cutters; electrical tape.

MOUNTING OPTIONS

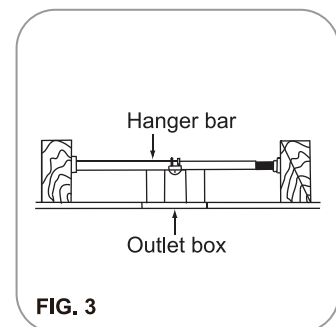
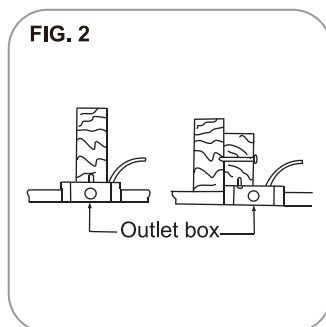
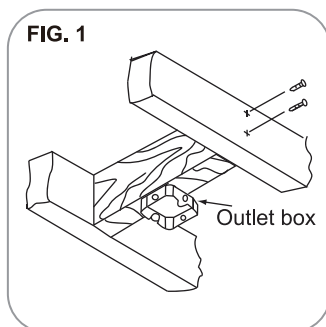
If there isn't an existing outlet box, then read the following instructions. Shut the power off at the circuit breaker or fuse box.

Secure the outlet box directly to the building structure. Use appropriate fasteners and building materials. Only use a U.L. Listed metal outlet box marked "Acceptable for ceiling fan support" to install the ceiling fan. Do not use a plastic outlet box or other device.

Figures 1 and 2 are examples of different ways to mount the outlet box.

Note: Please contact with dealer or Wind River at **855-817-WIND (9463)** if you need a longer downrod to maintain proper blade clearance when installing on a steep, sloped ceiling.

To hang your fan where there is an existing fixture but no ceiling joist, you may need to install a hanger bar as shown in Fig. 3.



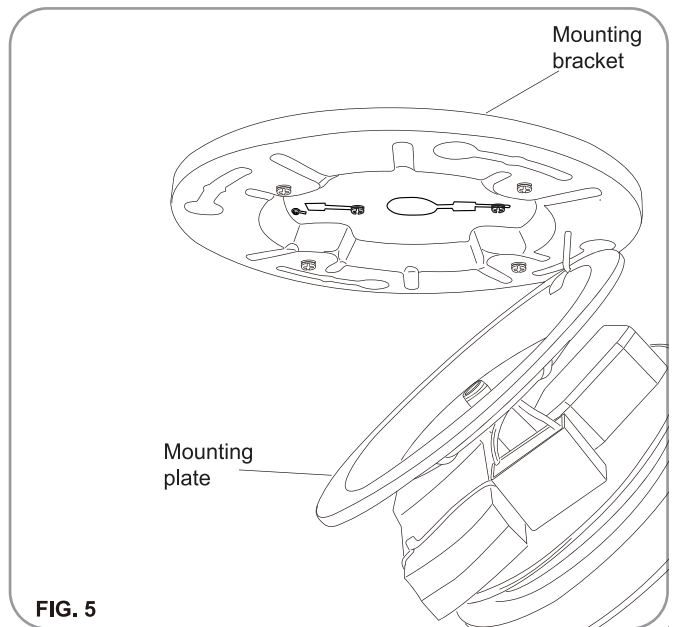
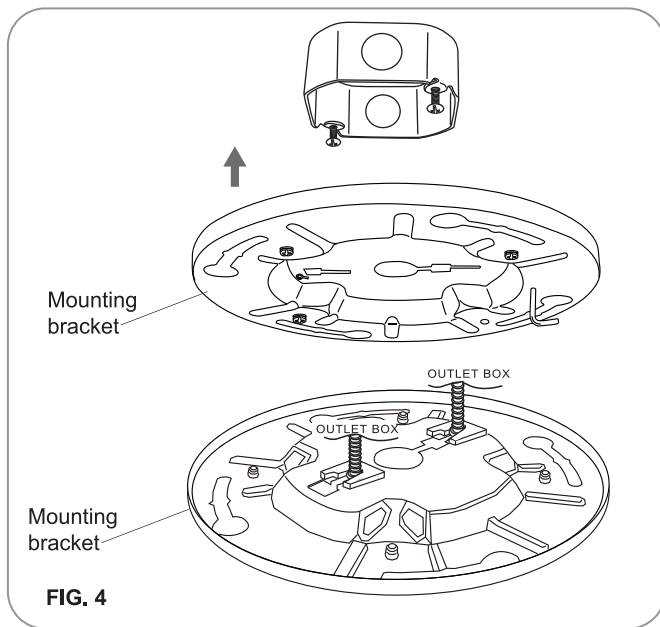
Hanging the fan

WARNING: Please use all of the parts hardware and components provided by Wind River. The use of other parts, hardware or components not supplied by Wind River with the fan will void the Wind River Warranty.

REMEMBER to turn off the power. Follow the steps below to hang your fan properly:

Step 1. Place the slots from the mounting bracket over the two mounting screws provided with the outlet box. Slide the mounting bracket until it locks in place at the narrow section of the slots. Securely tighten the two mounting screws provided with the outlet box. (Fig.4)

Step 2. Lift the fan into position by hanging the mounting plate portion of the fan motor assembly onto the hook from the ceiling mounting bracket allowing it to hang freely. (Fig 5)



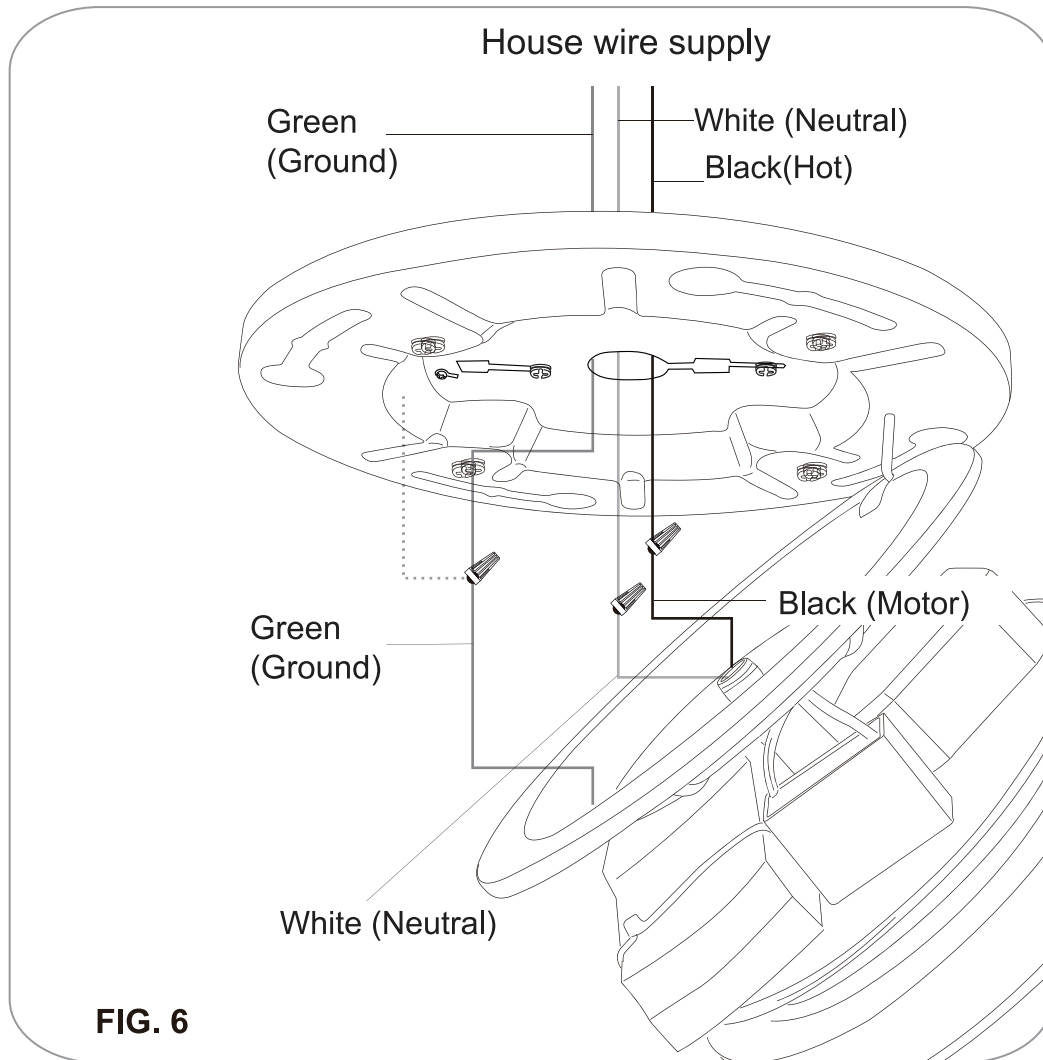
Electrical connections

REMEMBER to shut the power off at the circuit breaker or fuse box.

Follow the steps below to connect the fan to your house supply wires. Use the wire nuts supplied with your fan. Secure the wire nuts by wrapping the connection with electrical tape.

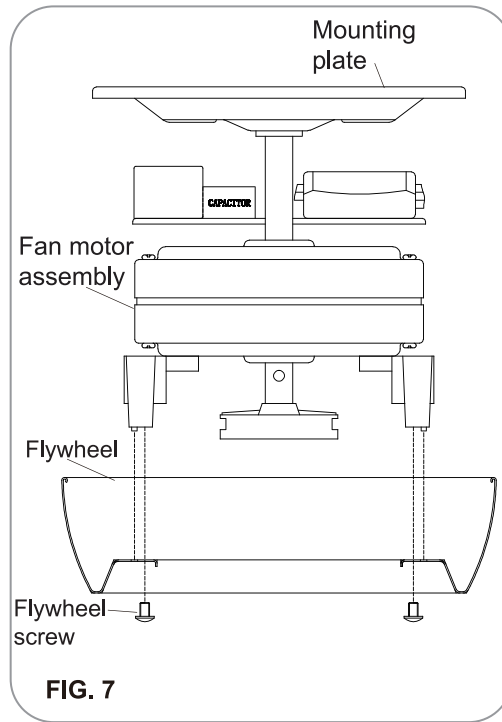
Step 1. Connect the black (hot) wire from the ceiling to the black wire from the fan. Connect the white (Neutral) wire from the ceiling to the white wire from the fan. (Fig.6)

Step 2. If your outlet has a ground wire (Green or Bare Copper) connect the fan ground wires (from hanger ball and mounting bracket) to it; otherwise connect the fan ground wire wires from the hanger ball and mounting bracket together. (Fig. 6)



Removing the flywheel from the fan motor assembly

Separate the flywheel from the fan motor assembly by removing the four flywheel screws.



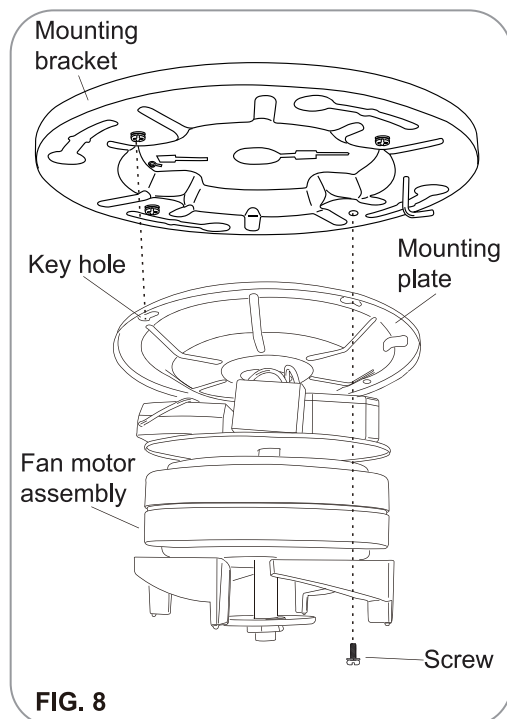
Attaching the fan motor assembly to the mounting bracket

Step 1. Remove one of the four screws on the mounting bracket and loosen, but do not remove, the other three screws.

Step 2. Remove the motor assembly from J hook.

Step 3. Lift and place the key holes on the mounting plate over the three screws previously loosened on the mounting bracket and turn the mounting plate until it locks in place and no longer turns. (Fig. 8)

Step 4. Secure by tightening the three screws previously loosened and the screw previously removed. (Fig. 8)

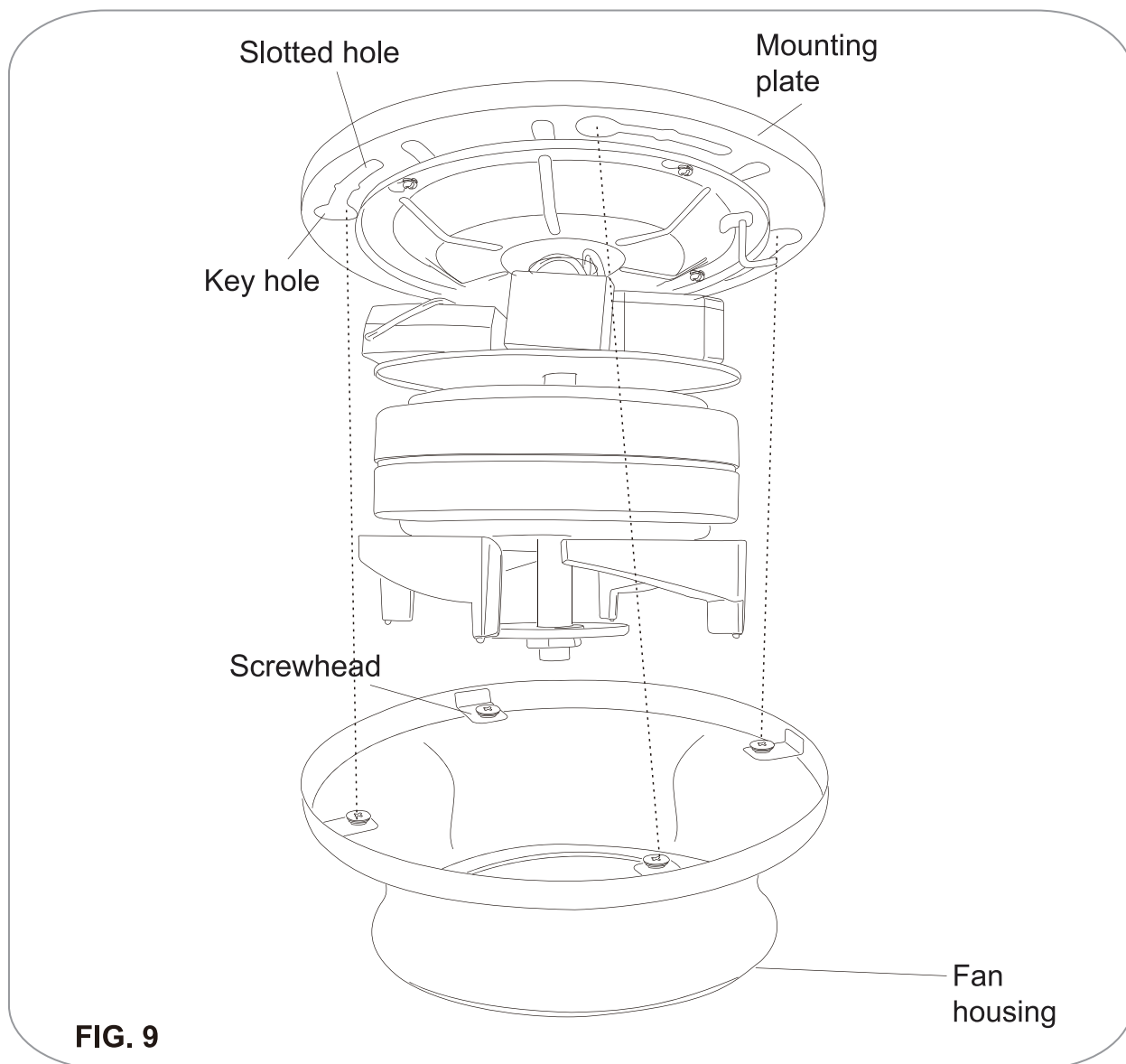


Finishing the fan installation

Step 1. Align the four large screwheads pre-locked on the fan housing to the key holes of the mounting bracket. (Fig. 9)

Step 2. Turn the fan housing at the right side and twist the screwheads to the end of the slotted holes until they lock in place and no longer turn.

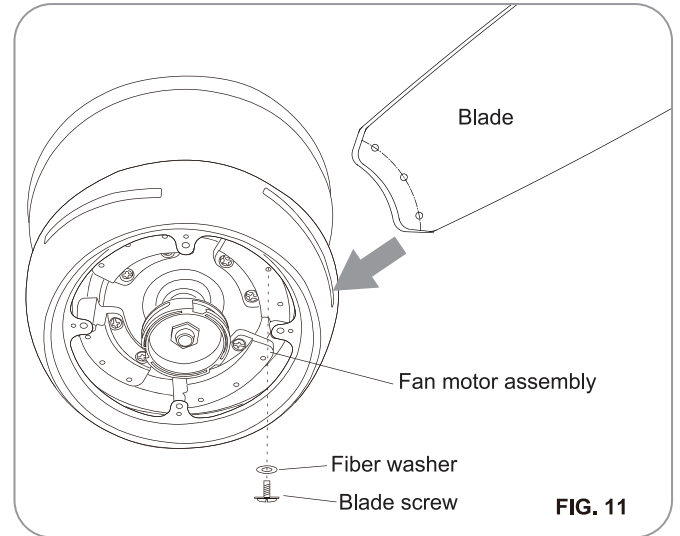
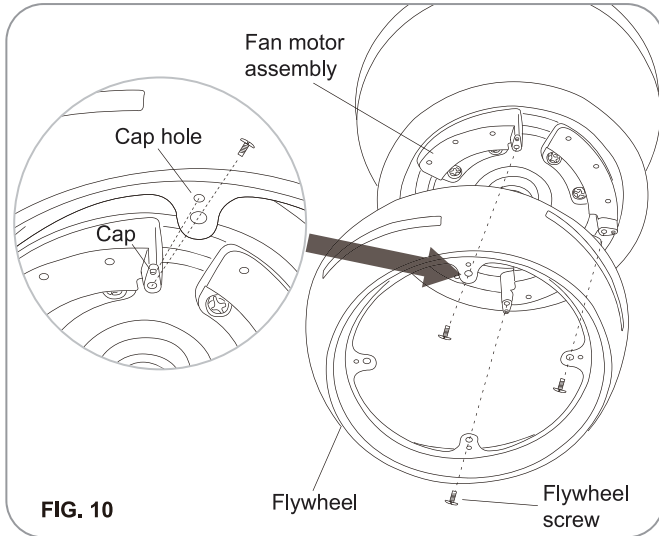
⚠ WARNING: Installation without proper procedures as above mentioned might cause the fan fall off.



Blade installation

Step 1. Attach the flywheel to the motor assembly. Ensure the 4 holes on the flywheel aligned with the caps on the blade arms before tighten the flywheel screws.(Fig.10)

Step 2. Attach the fan blades to the fan motor assembly by using three blade screws and fiber washers. Tighten screws and fiber washers securely.(Fig. 11)

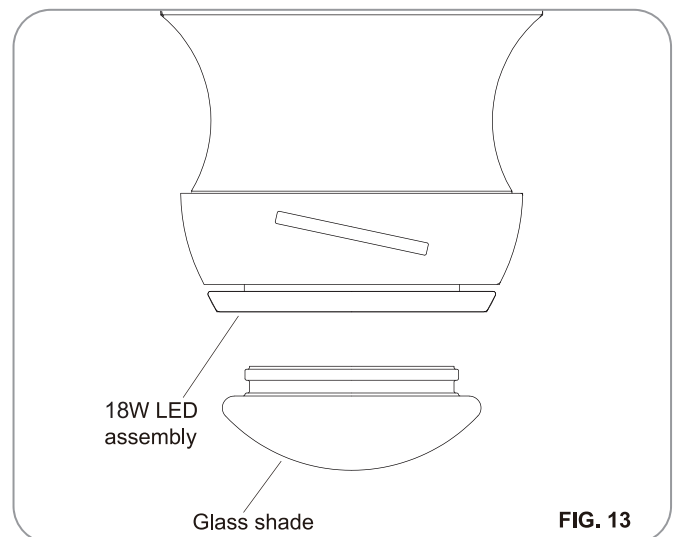
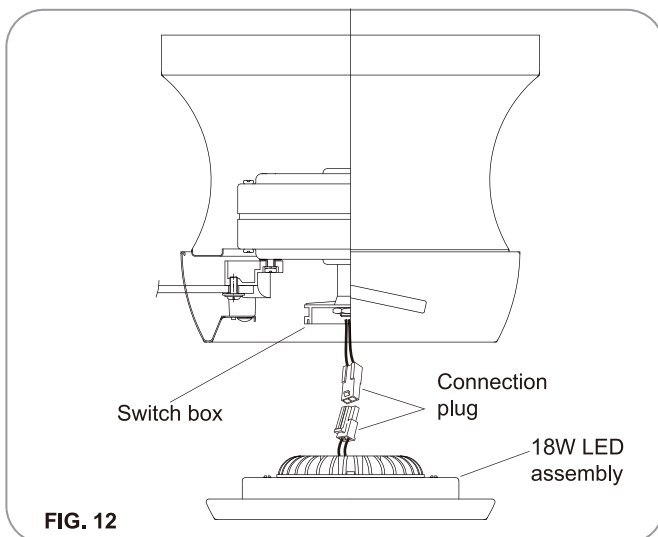


Installing the light kit

Step 1. While holding the LED assembly under your fan, firmly snap the wire connection plugs together. (Fig.12)

Step 2. Attach the LED assembly to the switch box by twisting tightly.

Step 3. Attach the glass shade to the LED assembly by twisting tightly. (Fig.13)



Programming the remote

NOTE: The control system is equipped with a learning frequency function which has 16 code combinations to prevent potential interference from other remote units. The frequency on your Receiver and Transmitter units have been preset at the factory. No frequency change is necessary.

If the fan is non-functional or if you desire to install another fan within the same home or area with a separate frequency code, please see this "learning process" section of this instruction manual to code-pairing the receiver and transmitter.

Learning process

- Turn the power off to your ceiling fan.
- Please use a small size tool to change the frequency settings on the transmitter.
- Return power to the unit.
- Within 60 seconds of turning the fan's AC power ON, press and hold the FAN OFF “⏻” button for 10 seconds to enter the learning function.

NOTE: After the AC power is on, do not press any other button on the remote control before pressing the FAN OFF “⏻” button. Doing so will cause the procedure to fail.

Once the receiver has detected the set frequency, the fan will begin to rotate for a short period and then shut off. And if the fan is with light, the light will blink twice.

The receiver has now learn the frequency which has been selected on the transmitter. After completing the steps above, you should be able to operate the ceiling fan and light. If the fan is not responding to the transmitter. please turn the power off to the receiver, and repeat the process.

Set code labeled "1" means "Dimmer".

If your fan includes dimmable bulbs, I.E. incandescent please set the code to "1" for dimming function.

If your fan includes non-dimmable bulbs, please set code labeled "ON" means "it is only on/off, NO DIM".

The set code has been preset to "1" which means "Dimmer"at the factory . If you want to change to "only on/off status", please follow the steps above.

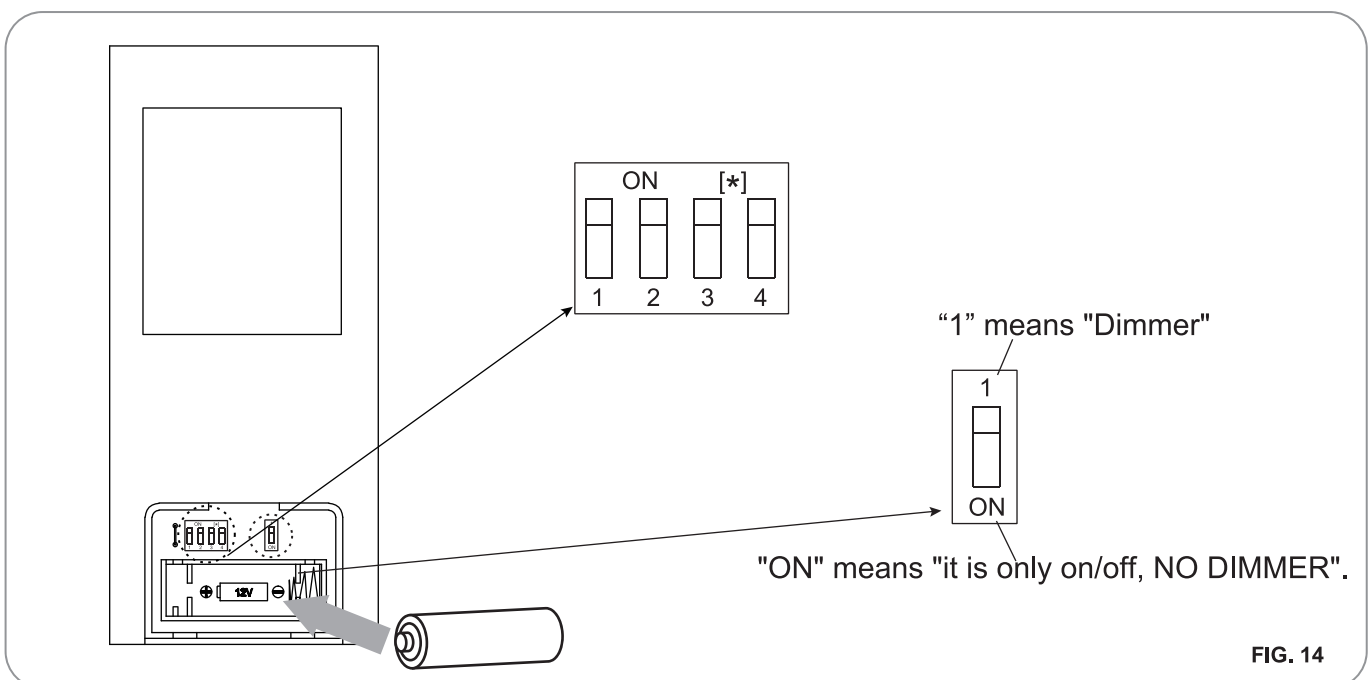





FIG. 14

Operation

Install a 12V battery into the remote control. To prevent damage to the remote control, remove the battery if not used for long periods of time.

Turn on the power and check the operation of your fan.

a. “”, “” and “” buttons:


These three buttons are used to select the fan speed.

Press and release the button of the desired speed setting:

 = Lowest speed

 = Medium speed

 = Highest speed

b. “” button: This button will turn the light on or off and will also control the brightness setting. Press and release the button and the light will turn on or cycle continuously between bright and dim settings as long as the button is held down. The light key has auto resume, it will stay at the same brightness as the last time it was turned off.

c. “” button: This button will turn the fan off.

d. “” button: Controls the fan direction.

e. “” button: This button will change the color temperature of light to 3000K/4000K/5000K.

NOTE: To operate the reverse function on this fan, press the reverse function button while the fan is running.

Warm weather - (Counterclockwise Direction) A downward air flow creates a cooling effect. This allows you to set your air conditioner on a higher setting without affecting your comfort. (Fig.16)

Cool weather - (Clockwise Direction) An upward air flow moves warm air off the ceiling. This allows you to set your heating unit on a lower setting without affecting your comfort. (Fig.17)

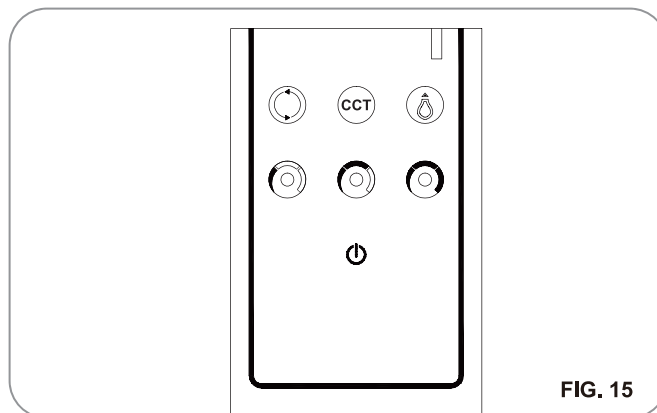


FIG. 15

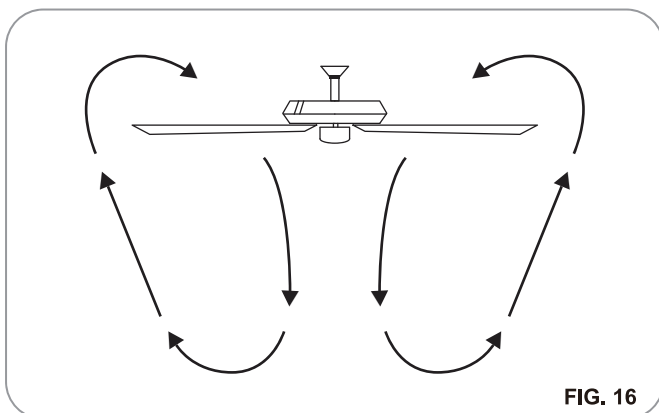


FIG. 16

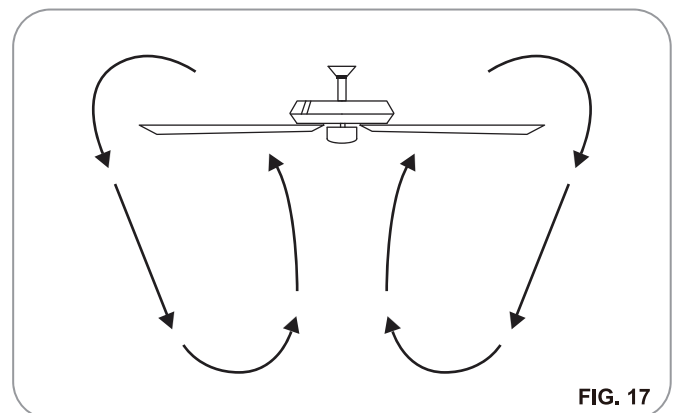


FIG. 17

Care and Cleaning

Check the support connections, brackets, and blade attachments twice a year. Ensure they are secure. Because of the fan's natural movement, some connections may become loose over time. It is not necessary to remove the fan from the ceiling.

Clean your fan periodically. Use only a soft brush or lint-free cloth to avoid scratching the finish. The plating is sealed with a lacquer to minimize discoloration or tarnishing.

(Optional) Apply a light coat of furniture polish to the wood blades.

(Optional) Cover small scratches with a light application of shoe polish.

Do not use water when cleaning. Water could damage the motor, or the wood, or possibly cause an electrical shock.

Do not apply oil to your fan or motor. The motor has permanently-lubricated sealed ball bearings.

Troubleshooting

Problem	Solution
The fan will not start.	Check main and branch circuit fuses or breakers.
	Check line wire connections to the fan and switch wire connections in the switch housing.
The fan sounds noisy.	Make sure all motor housing screws are snug.
	Make sure the screws that attach the fan blade arm to the motor hub are tight.
	Make sure wire nut connections are not rattling against each other or the interior wall of the switch housing.
	Allow a 24-hour "breaking-in" period. Most noises associated with a new fan disappear during this time.
	If using the ceiling light kit, make sure the screws securing the glassware are tight. Check that the light bulb is also secure.
	Make sure there is a short distance from the ceiling to the canopy. It should not touch the ceiling.
The fan wobbles.	Make sure your ceiling box is secure and rubber isolator pads are used between the mounting bracket and outlet box.
	Check that all blade and blade arm screws are secure.
	Most fan wobble problems are caused when blade levels are unequal. Check this level by selecting a point on the ceiling above the tip of one of the blades. Measure from a point on the center of each blade to the point on the ceiling. Rotate the fan until the next blade is positioned for measurement. Repeat for each blade. Measurements deviation should be within 1/8 in. Run the fan for 10 minutes.
	Use the enclosed blade balancing kit if the blade wobble is still noticeable.

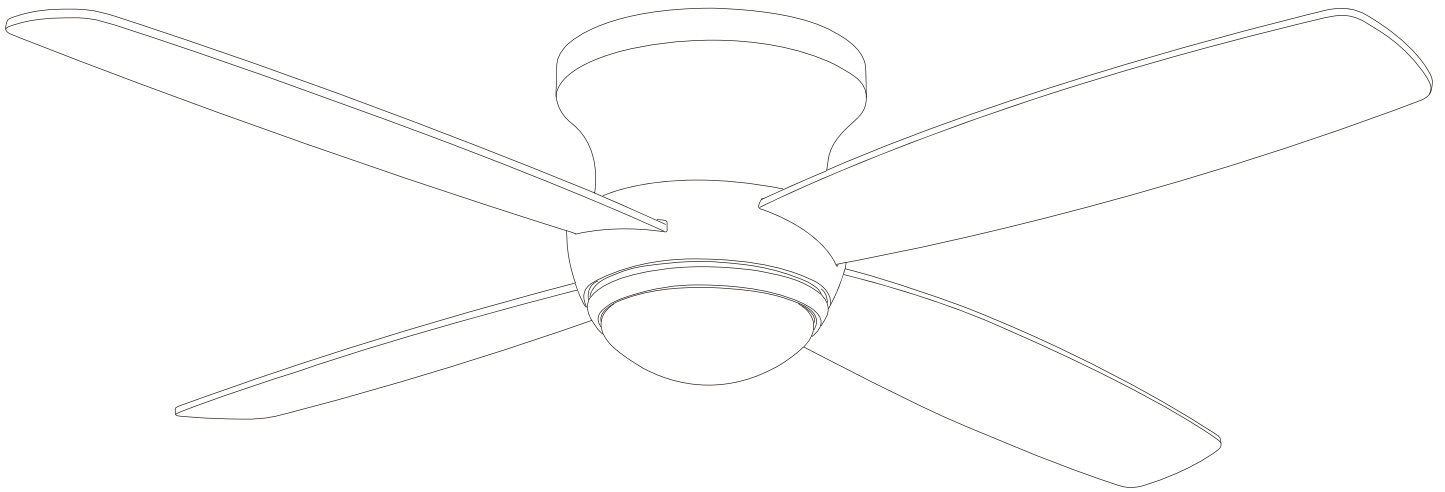


Questions, problems, missing parts? Before returning to your retailer, call our customer service department at **855-817-WIND (9463)**
 8 a.m. - 5 p.m., EST, Monday-Friday
 E-mail: service@windriverus.com

Wind River®

52" Zorion™

Lea y guarde estas instrucciones



¿Preguntas, problemas, partes perdidas? Antes de volver a la tienda, llame a nuestro departamento de servicio al cliente al **855-817-WIND (9463)**

8 a.m. - 5 p.m., EST, Lunes-Viernes

E-mail: service@windriverus.com



WR1464 SERIE

Velocidad	Voltios	Amperios	Vatios	RPM	CFM	N.W.	G.W.	C.F.
Baja	120	0.23	14.28	77	1662	7.2 kgs (15.8 lbs)	8.4 kgs (18.4 lbs)	1.86 ft.
Mediana		0.32	27.8	111	2543			
Alta		0.44	52.25	164	3473			

NOTA: Estas son mediciones aproximadas. No incluyen los Amperios y vatios usado por el juego de iluminación.

340644010181

Règles de sécurité

1. Para reducir el riesgo de electrocución, asegurarse de que la electricidad se ha desactivado en el cortacircuitos o caja de fusibles antes de comenzar.
2. Todos los cables deben cumplir con el Código Eléctrico Nacional "ANSI/NFPA 70-1999" y los códigos eléctricos locales. La instalación eléctrica debería realizarla un electricista profesional cualificado.
3. La caja de distribución y la estructura de soporte deben estar montados de manera segura y deben ser capaces de soportar, de manera confiable, un mínimo de 35 libras (15,9 kilogramos). Usar solamente cajas de distribución listadas por U.L. marcadas "PARA SOPORTE DE VENTILADORES".
4. EL ventilador debe estar montado con un mínimo de 7 pies (213cm) de espacio libre desde el borde posterior de las aspas hasta el piso.
5. Tras realizar las conexiones eléctricas, los conductores empalmados deberían girarse hacia arriba y meterse con cuidado en la toma de corriente. Los cables deberían separarse con el conductor a tierra y el conductor de tierra del equipo por un lado de la toma de corriente y el conductor no conectado a tierra en el otro lado de la toma de corriente.
6. Todos los tornillos deberían ser comprobados y revisados antes de la instalación.



ADVERTENCIA: Por reducir el riesgo de descargas eléctricas o incendios, no utilice este ventilador con ningún controlador de velocidad del ventilador de estado sólido. Por favor, póngase en contacto con el distribuidor o con Wind River llamando al **855-817-WIND (9463)** si utilice el mando de estado sólido a distancia.

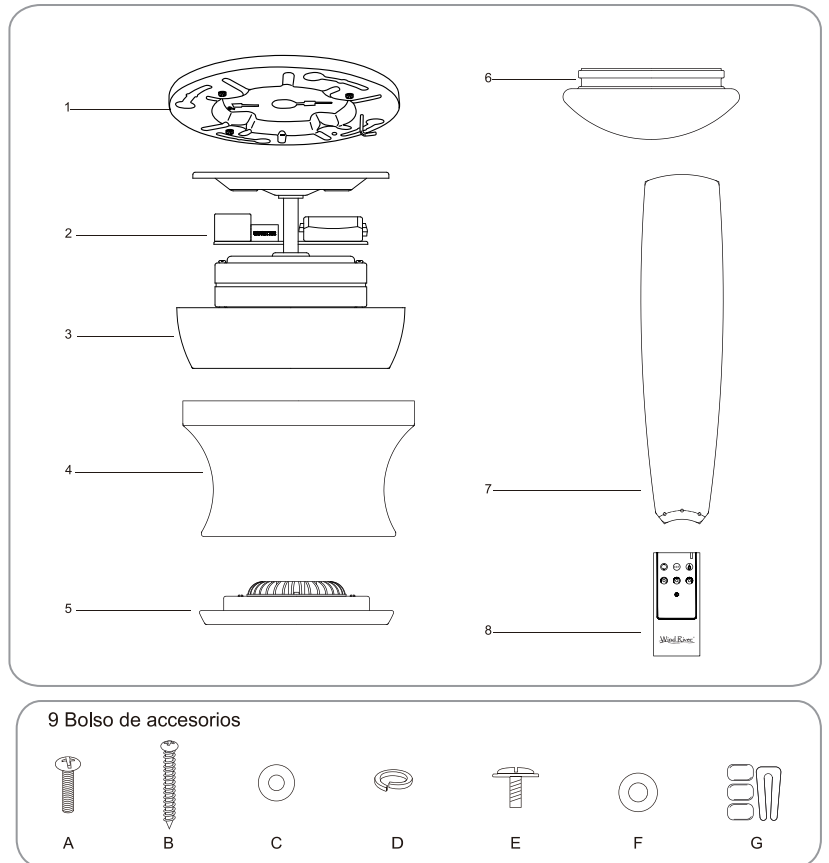


ADVERTENCIA: Para reducir el riesgo de fuego, descarga eléctrica o lesiones personales, monte el ventilador a una toma de corriente marcada como compatible para soportar un ventilador con los tornillos incluidos en la toma de corriente.

Contenidos en paquete

Desembalar el ventilador y revisar el contenido. Vease pagina 2. Debe tener los siguientes elementos:

1. Soporte de montaje (1)
2. Conjunto de motor de ventilador (1)
3. Rueda volante (premontado) (1)
4. Cáscara de ventilador (1)
5. Conjunto LED 18W (1)
6. Sombra de vidrio
7. Hoja (4)
8. Transmisor con portatransmisores + 2 tornillos de montaje batería A23 de 12 voltios + 3 tuerca de alambre plástica (1)
9. El bolso de accesorios incluye:
 - A: Tornillo de máquina (2)
 - B: Tornillo de madera (2)
 - C: Arandela de metálica (2)
 - D: Arandela de seguridad (2)
 - E: Tornillo de hoja (13)
 - F: Arandela de fibra (13)
 - G: Conjunto de balanceo (1)



Comenzando la instalación

Herramientas necesarias: Un desarmador plano, un desarmador de cruz, cortadoras de alambre, cinta aislante.

OPCIONES DE MONTAJE

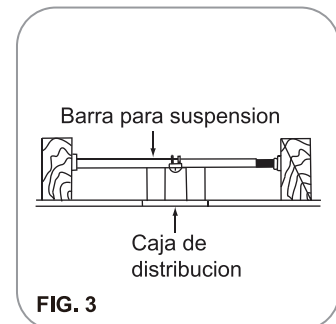
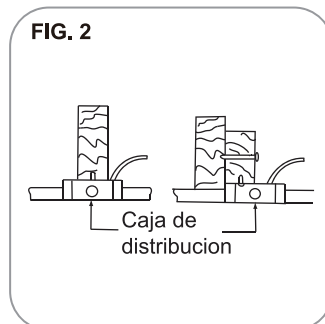
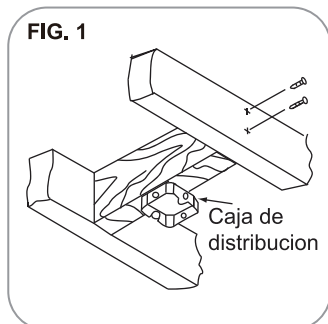
Si no existe una caja de distribución instalada, siga las siguientes instrucciones. Desconecte la energía eléctrica apagando los interruptores del circuito o sacando los fusibles.

Asegure la caja de distribución directamente en la estructura del edificio. Use los soportes y materiales de construcción apropiados. La caja de distribución y soporte deben de ser capaces de soportar todo el peso en movimiento del ventilador (mínimo de 35 libras). Use una caja de metal que esté aprobada por UL marcada "Acceptable for Ceiling Fan Support". No use cajas de distribución de plástico.

Las ilustraciones 1 y 2 muestran alternativas diferentes para montar la caja de distribución.

Nota: Por favor, póngase en contacto con el distribuidor o con Wind River en el **855-817-WIND (9463)** si necesita una varilla regulable más larga para mantener la holgura adecuada de las palas cuando lo instale en un techo inclinado.

Para colgar su ventilador donde anteriormente había una lámpara pero no hay viga, podría necesitar instalar una abrazadera de soporte como se muestra en la ilustración 3.



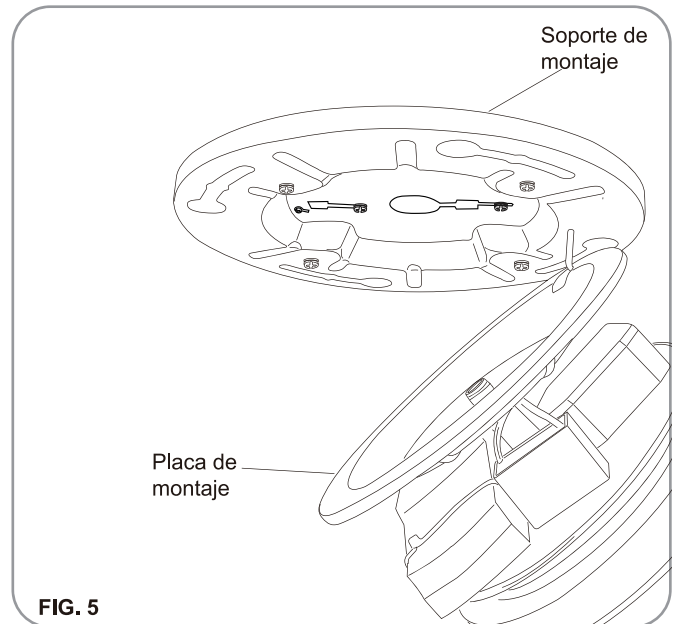
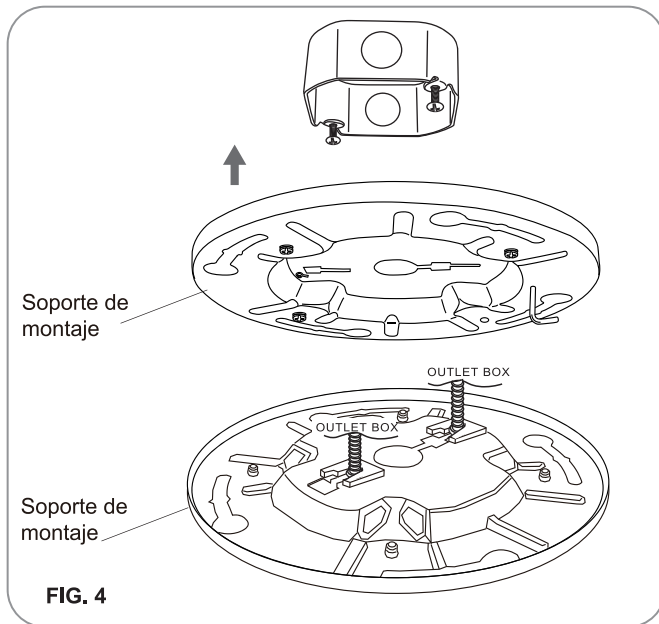
Colgando el ventilador

⚠ Advertencia: Utilice todas piezas metálicas y componentes proporcionados por Wind River. El uso de otras piezas metálicas o componentes no suministrados por Wind River con el ventilador, se anulará la Garantía de Wind River

RECORDAR: Apagar la energía eléctrica en el circuito principal o en la caja de fusibles:

Paso 1. Coloque las ranuras del soporte de montaje sobre los dos tornillos de montaje provistos con la caja de salida. Mueva el soporte de montaje hasta que se bloquee en la sección estrecha de las ranuras. Apriete firmemente los dos tornillos de montaje provisto con la caja de salida. (Fig.4)

Paso 2. Levante el ventilador en la posición por colgando la parte de la placa de montaje del conjunto de motor de ventilador encima del gancho desde el soporte de montaje de techo y le haga colgar libremente. (Fig.5)



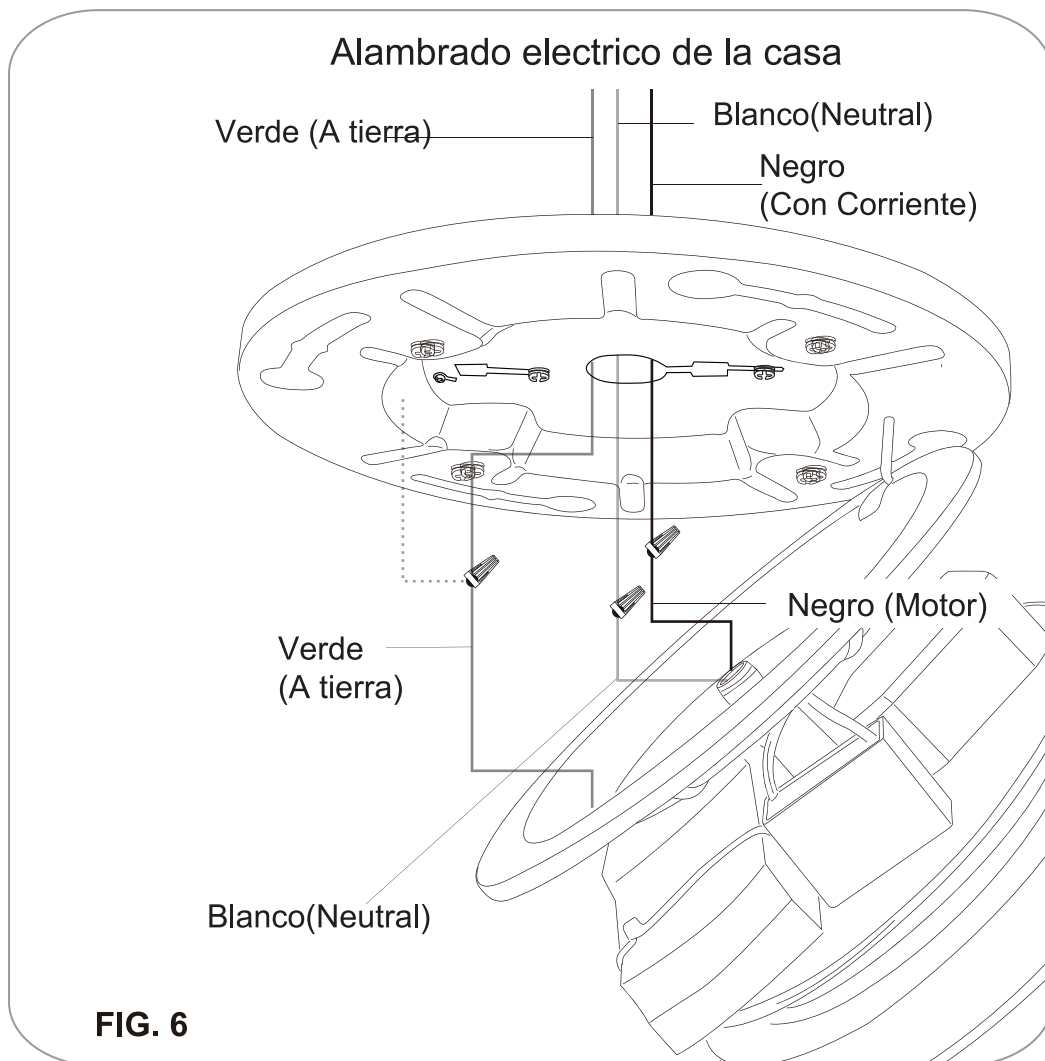
Conexiones eléctricas

RECORDAR no se olvide de desconectar la energía eléctrica en el circuito principal o en la caja de fusibles.

Siga los siguientes pasos para conectar el ventilador a los alambres de la casa que suministran la energía eléctrica. Use los conectores de alambres que vienen con su ventilador. Para que los conectores queden firmes, envuelva la conexión con cinta aislante.

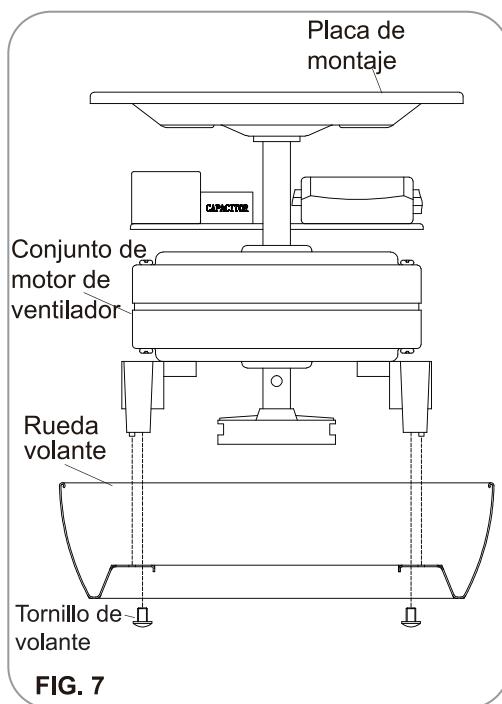
Paso 1. Conecte el alambre negro (con corriente) del techo a los alambre negro del ventilador. Conecte el alambre blanco (NEUTRAL) del techo al alambre blanco del ventilador.(Fig.6)

Paso 2. Si su caja de distribución tiene un alambre a tierra (verde o de cobre) conecte los alambres a tierra del ventilador (en la bola de suspensión o soporte de montaje) al alambre a tierra de la caja de distribución. Si no tiene alambre a tierra en su caja de distribución, conecte el alambre a tierra de la bola de suspensión de soporte directamente a la soporte de montaje.(Fig. 6)



Extracción del rueda volante del conjunto del motor del ventilador

Separe el rueda volante del conjunto del motor del ventilador quitando los cuatro tornillos del rueda volante.



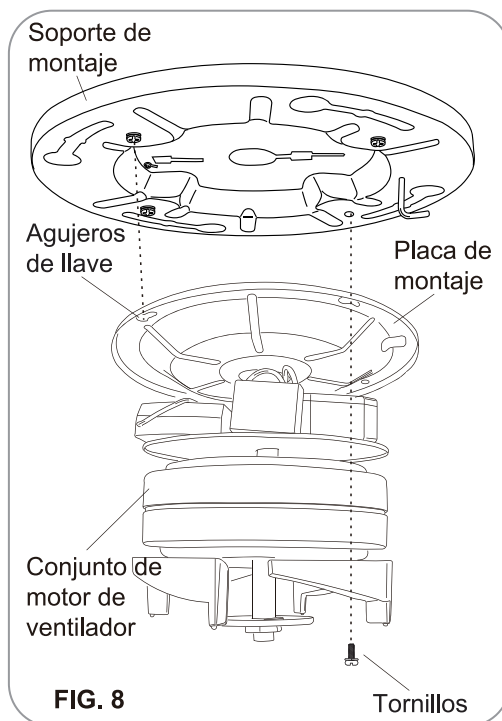
Fije el conjunto de motor de ventilador en el soporte de montaje

Paso 1. Quite uno de los cuatro tornillos en el soporte de montaje y lo afloje, pero no quite, los otros tres tornillos.

Paso 2. Quite el conjunto de motor de ventilador del gancho J.

Paso 3. Levante y coloque los agujeros de llave en la placa de montaje a través de los tres tornillos previamente aflojándolos en el soporte de montaje y gire la placa de montaje hasta que cual bloquee en su lugar. (Fig. 8)

Paso 4. Coloque la cubierta de tapa en la misma y gire la cubierta de tapa en el sentido de la aguja del reloj hasta que él bloquee en su posición.



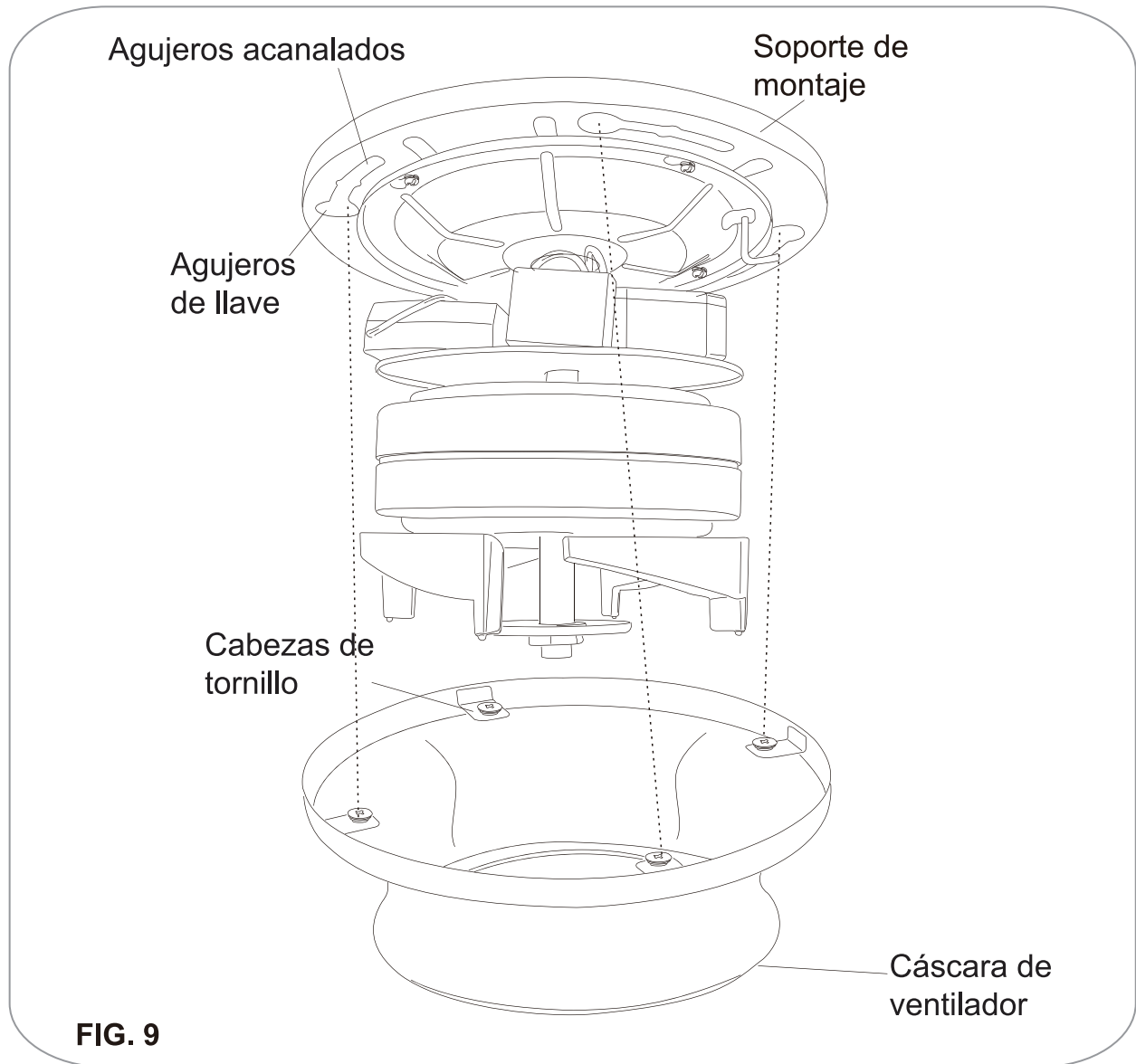
Terminando la instalación

Paso 1. Alinee las cabezas de tornillos largos que se han bloqueado previamente en la cáscara de ventilador en los agujeros de llave del soporte de montaje. (Fig. 9)

Paso 2. Gire la cáscara de ventilador por la parte derecha y retorca las cabezas de tornillo en la extremidad de los agujeros acanalados hasta que ellos bloqueen en su lugar.



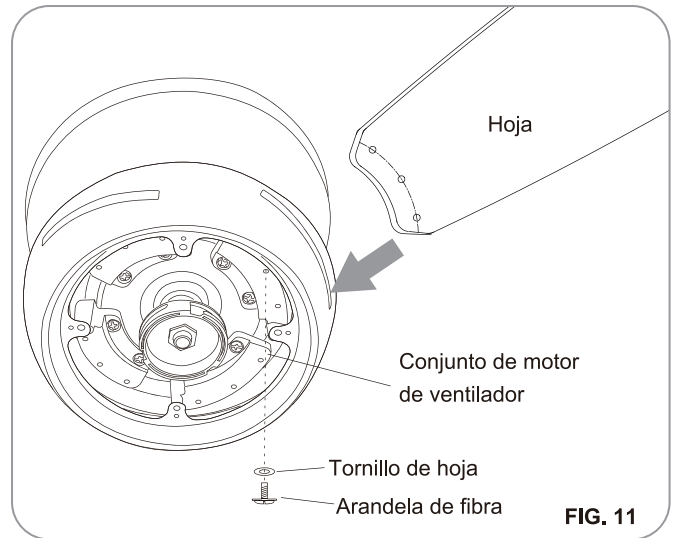
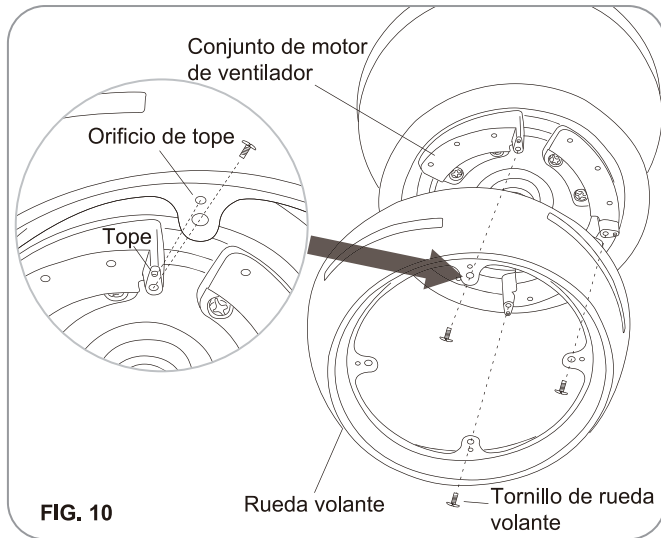
ADVERTENCIA: La instalación sin los procedimientos adecuados antedichos pueda causar la caída del ventilador.



Instalación de las hojas

Paso 1. Fije el rueda volante al conjunto de motor de ventilador. Comprueba de que los 4 orificios del rueda volante estén alineados con los topes en los brazos de las hojas antes de apretar los tornillos del rueda volante.(Fig.10)

Paso 2. Fije las hojas de ventilador en el conjunto de motor de ventilador por utilizando los tornillos de hoja y las arandelas de fibra. Apriete los tornillos firmemente. (Fig. 11)

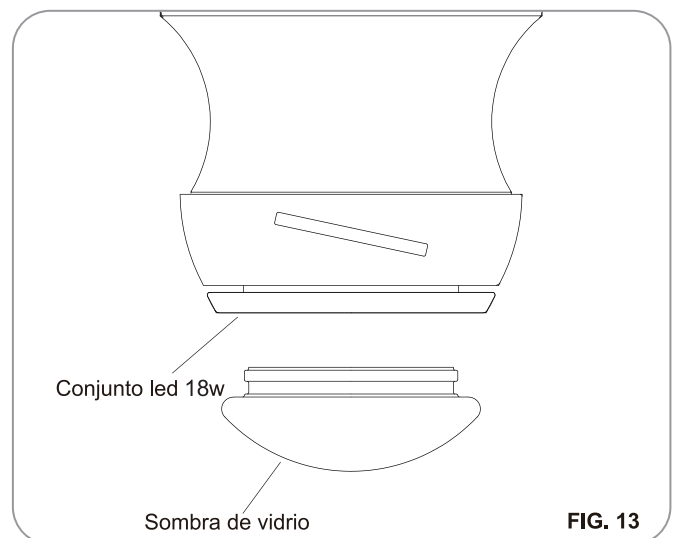
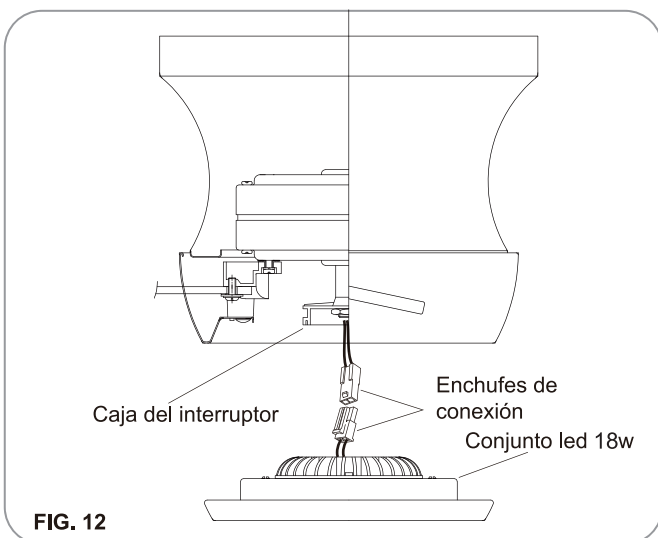


Instalar el luz

Paso 1. Sosteniendo la conjunto LED bajo el ventilador, se encajan las clavijas de conexión de cables. (Fig.12)

Paso 2. Coloque la conjunto LED a la placa caja del interruptor, y lo gitando con fuerza.

Paso 3. QFije la sombra de vidrio en la conjunto LED por torciendo fuertemente. (Fig.13)



Programando el control remoto

NOTA: El sistema de control de motor está equipado con una función de aprendizaje de frecuencia, el que tiene 16 combinaciones diferentes para prevenir posibles interferencias de otras unidades remotas. La frecuencia de sus unidades de recepción y transmisión que han sido ajustado en la fábrica. No es necesario ningún cambio de frecuencia.

Si el ventilador no se funciona o si desea instalar otro ventilador dentro de la misma casa o área con un código de frecuencia separado, por favor ver esta sección "proceso de Aprendizaje" de este manual de instrucciones para emparejar los códigos del receptor y del transmisor. nual to code-paring the receiver and transmitter.

Proceso de aprendizaje

- Apague su ventilador de techo.
- Por favor, use una herramienta de pequeño tamaño para cambiar los ajustes de frecuencia en el transmisor.
- Vuelve a encender la unidad.
- Dentro de los 60 segundos después de encender el ventilador mediante alimentación CA, presione en permanente el botón FAN OFF "🔌" durante 10 segundos para entrar en la función de aprendizaje.

NOTA: Después de encendido la unidad, no presione ningún otro boton en el mando a distancia antes de pulsar el botón FAN OFF "🔌". A to contrario, fallará el procedimiento.

Una vez que el receptor ha detectado la frecuencia establecida, el ventilador comenzará a girar por un período corto y luego se apagará. Y si el ventilador tiene luz, la luz parpadeará dos veces.

El receptor ha aprendido la frecuencia que ha sido seleccionado en el transmisor. Después de completar los pasos anteriores, usted será apto de operar el ventilador de techo y la luz. Si el ventilador no está respondiendo al transmisor. por favor apague el receptor, y repetir el proceso.

El código de ajuste en la etiqueta "1" significa "Atenuador".

Si su ventilador incluye bombillas regulables, I.E. incandescente, ajuste el código en "1" para la función de atenuación. Si su ventilador incluye bombillas no regulables, ajuste el código en la etiqueta "ENCENDIDO", que significa "solo está encendido / apagado, SIN ATEN". El código de ajuste ha sido preajustado en "1" en la fábrica, que significa "Atenuador". Si quiere cambiar a "solo estado de encendido / apagado", siga los pasos anteriores.

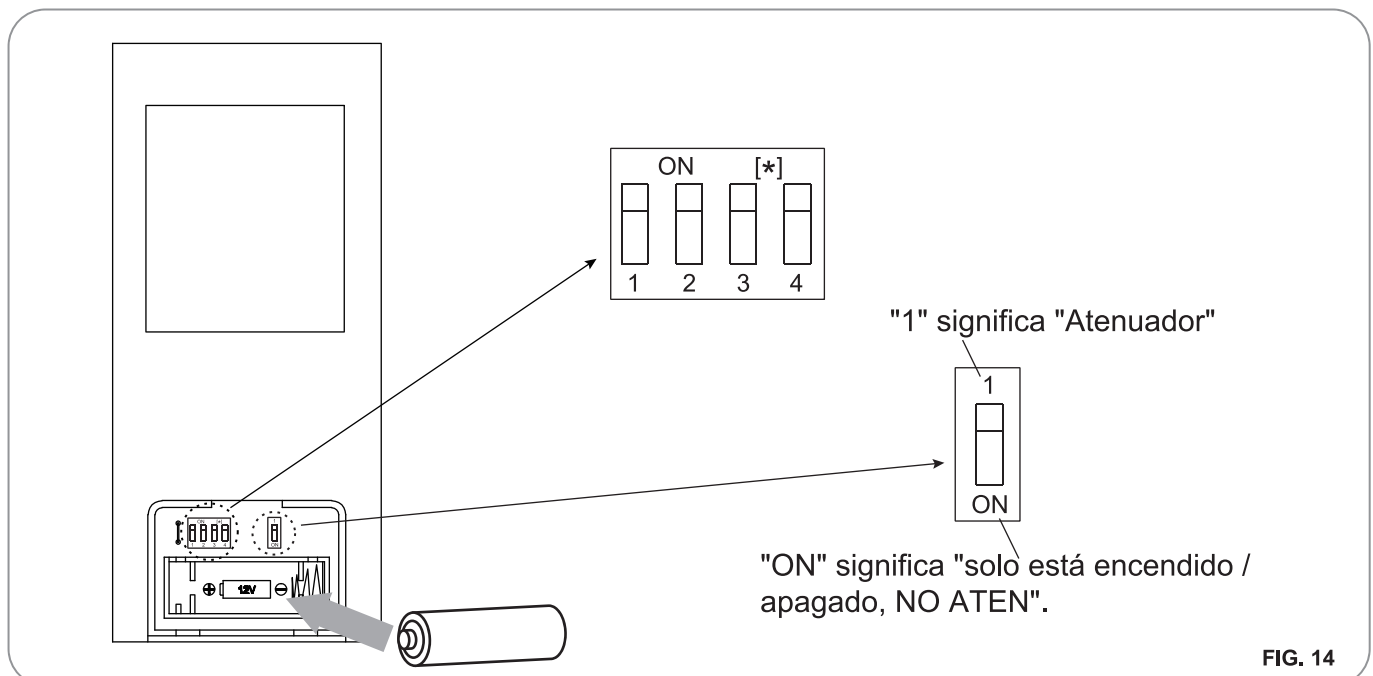





FIG. 14

Operación

Instale una batería de 12V en el control remoto. Para evitar los daños del control remoto, por favor quita la batería si no la utiliza por un largo tiempo.

Encienda la fuente eléctrica y verifique la operación del ventilador.


a. Interruptor “”, “”, “”:

Estos interruptores seleccionan la velocidad de la manera siguiente;


 = Velocidad Baja

 = Velocidad Mediana

 = Velocidad Alta

b. Interruptor “” : Estos interruptores prenden, apagan y controlan la intensidad de la luz. Para prender o apagar la lampara oprima y suelte el interruptor de la lampara deseada. Para cambiar la intensidad de la luz oprima y sostenga el interruptor. La luz mantendra un ciclo continuo entre la luz mas intensa y la luz mas baja mientras el interruptor se mantenga oprimido. La luz se mantendra a la misma intensidad que la ultima vez que la uso.

c. Interruptor “” : Este interruptor apaga el ventilador.

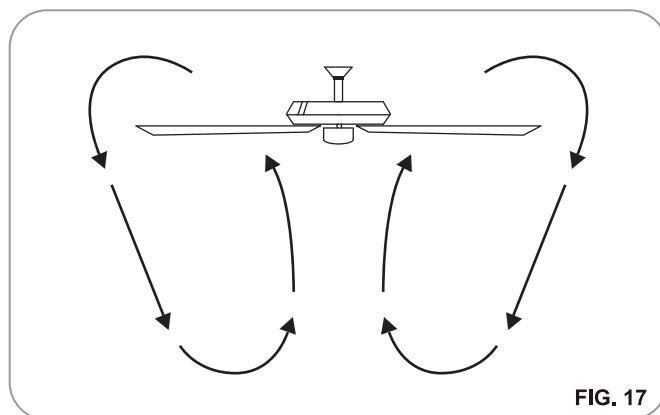
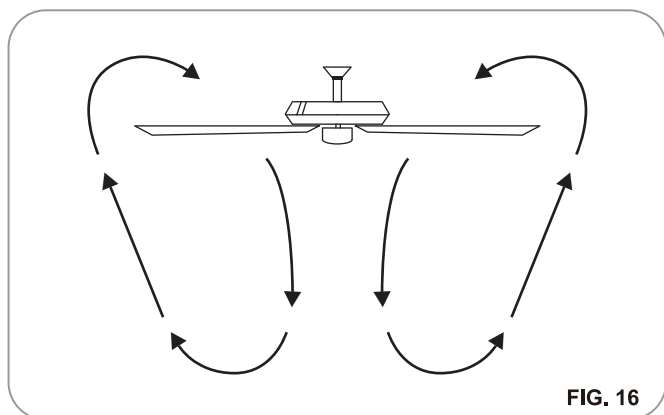
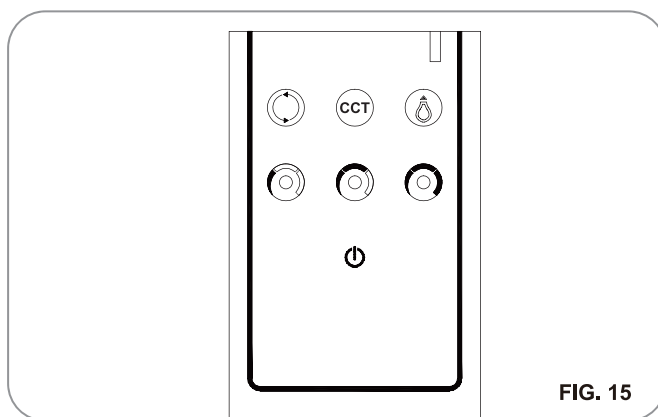
d. Interruptor “” : Controla la dirección del ventilador.

e. Interruptor “” : Se cambia por este botón la temperatura de color de la luz a 3000K/4000K/5000K.

NOTA: Para utilizar la función inversa de este ventilador, presione el botón de función inversa cuando el ventilador está en funcionamiento.

Clima cálido - (Adelante) Una corriente de aire descendente crea un efecto refrescante como se muestra en. Esto le permite ajustar su aire acondicionado en un mayor ajuste sin que ello afecte su comodidad. (Fig.16)

Clima Frío - (Inversa) Un flujo de aire mueve el aire caliente hacia arriba fuera de la zona límite, como se muestra en. Esto le permite configurar su unidad de calefacción en un ajuste más bajo sin afectar a su comodidad. (Fig.17)



Cuidado y Limpieza

Verifique las conexiones de soporte, soportes y equipos de hoja dos veces por un año. Y asegúrese de fijarlos bien. Debido al movimiento natural del ventilador, unas conexiones puedan aflojarse por un tiempo. No es necesario de quitar el ventilador del techo.

Limpie el ventilador periódicamente. Sólo utilice un paño suave o libre de hilas para evitar la rascadura del acabado. El revestimiento se selle con barniz para minimizar la descoloración o deslustre.

(Opcional) Aplique una capa ligera de lustre de mueble en las hojas de madera.

(Opcional) Cubre las rascaduras pequeñas con unos lustres de zapatos.

No pueda utilizar aguas a la limpieza. El agua pueda dañar el motor, la madera o causar un choque eléctrico posiblemente.

No pueda aplicar aceite en el ventilador o el motor. Los rodamientos de bolas del motor han sido lubricados permanentemente.

Solución de averías

Problema	Solución
El ventilador no funciona	Revisar los fusibles o interruptores de circuitos.
	Verificar las conexiones de cables de línea al ventilador y conexiones de cable del interruptor.
El ventilador emite ruido	Asegurarse de que todos los tornillos de la cubierta del motor estén ajustados.
	Asegurarse de que los tornillos que sujetan el soporte de aspas del ventilador al eje del motor estén apretados.
	Asegurarse de que las conexiones de tuercas para cable no estén rozando unas contra otras o contra la pared interior de la cubierta protectora del interruptor.
	Permitir un período de "desgaste" de 24 horas. La mayoría de los ruidos asociados con un ventilador nuevo desaparecen durante este tiempo.
	Si se está usando un juego opcional de iluminación para el ventilador de techo, asegurarse de que los tornillos que aseguran el vidrio estén apretados. Asimismo, verificar que la bombilla esté segura.
	Asegurarse de que el escudete superior esté a una corta distancia del techo. No debe hacer contacto con el techo.
	Asegúrese de que la caja del techo esté fija y que las almohadillas aislantes de goma estén colocadas entre el soporte de montaje y la toma de corriente.
Las oscilaciones de ventilador	Verifique si todas las hojas y los tornillos de brazo de hoja sean fijados.
	La mayoría de los problemas sobre la oscilación es causada cuando los niveles de hoja son irregulares. Verifique el nivel por seleccionando un punto del techo encima del extremo de una de las hojas. Y tome las medidas desde un punto en el centro de caja hoja al punto del techo. Gire el ventilador hasta que la hoja siguiente sea situada para la medida. Repite por caja hoja. La desviación de las medidas debe estar dentro de 1/8 pulgadas. Y funcione el ventilador por diez minutos.
	Utilice el conjunto de balanceo de hoja adjuntivo si la oscilación de hoja todavía es notable.



¿Preguntas, problemas, partes perdidas? Antes de volver a la tienda, llame a nuestro departamento de servicio al cliente al **855-817-WIND (9463)**
 8 a.m. - 5 p.m., EST, Lunes-Viernes
 E-mail: service@windriverus.com