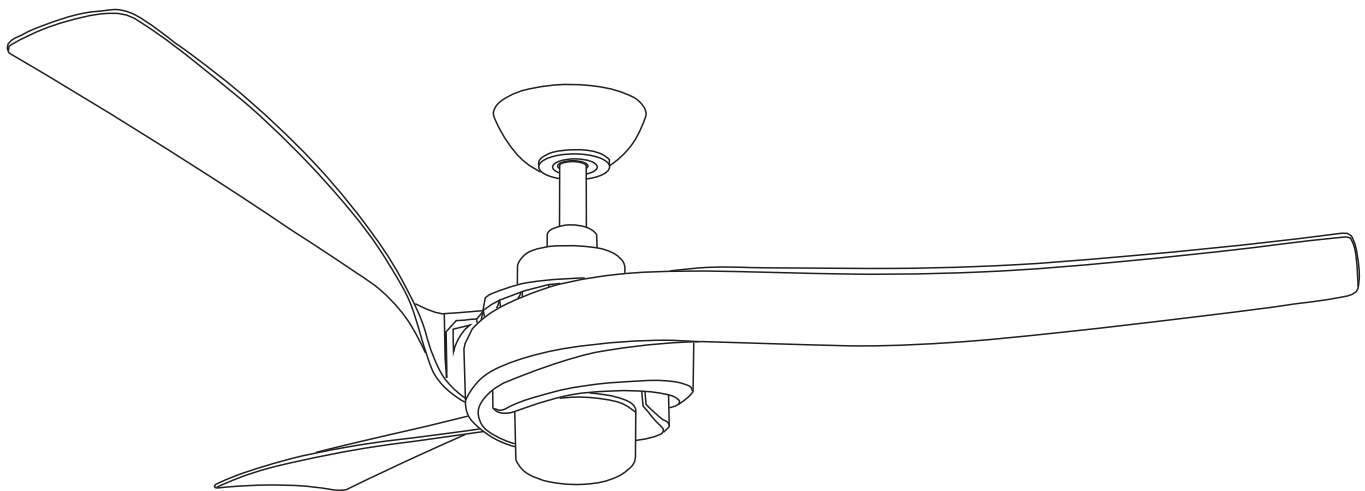




60" Kurve Indoor Wi-Fi Smart Ceiling Fan™

Read and save these instructions



Questions, problems, missing parts? Before returning to your retailer, call our customer service department at **855-817-WIND (9463)**
8 a.m. - 5 p.m., EST, Monday-Friday
E-mail: service@windriverus.com




WR1804 SERIES


Speed	Volts	Amps	Watts	RPM	CFM	N.W.	G.W.	C.F.
Low	120	0.26	14.77	66	2221	7.75 kgs (17.05 lbs)	9.65 kgs (21.23 lbs)	3.327ft.
Medium		0.39	32.37	102	3861			
High		0.56	66.82	150	5940			

NOTE: These are approximate measures. They do not include amps and wattage used by the light kit.

Safety tips

1. To reduce the risk of electric shock, ensure electricity has been turned off at the circuit breaker or fuse box before beginning.
2. All wiring must be in accordance with the National Electrical Code “ANSI/NFPA 70-1999” and local electrical codes. Electrical installation should be performed by a qualified licensed electrician.
3. The outlet box and support structure must be securely mounted and capable of reliably supporting a minimum of 35 lbs. Use only UL Listed outlet boxes marked “FOR FAN SUPPORT.”
4. The fan must be mounted with a minimum of 7 ft. clearance from the trailing edge of the blades to the floor.
5. After making electrical connections, spliced conductors should be turned upward and pushed carefully up into the outlet box. The wires should be spread apart with the grounded conductor and the equipment-grounding conductor on one side of the outlet box and ungrounded conductor on the other side of the outlet box.
6. All setscrews must be checked and retightened where necessary before installation.

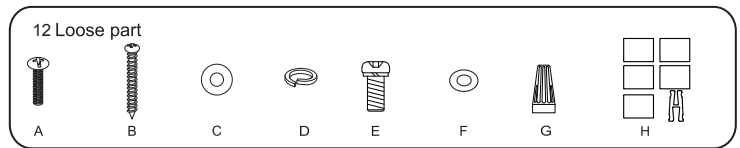
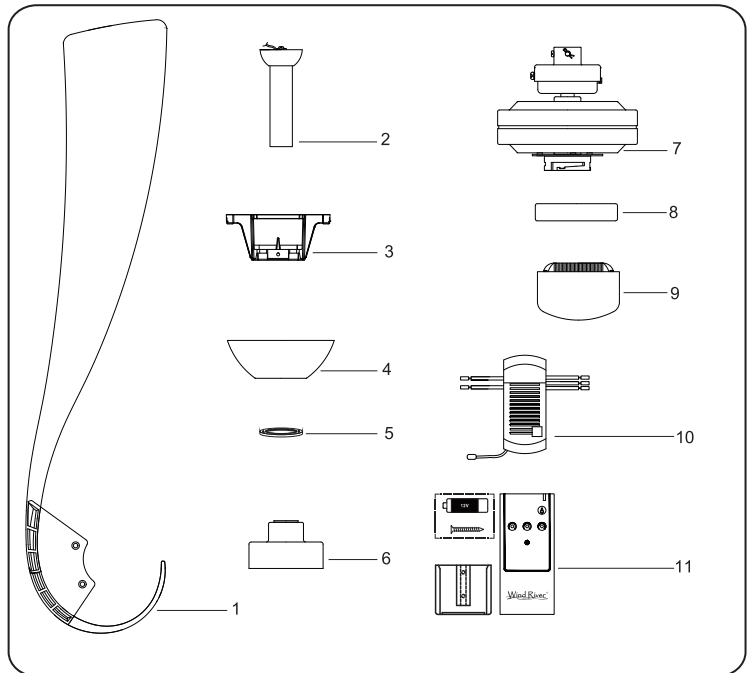
 **WARNING:** To reduce the risk of electrical shock or fire, do not use this fan with any solid-state fan speed control device. Please contact with dealer or Wind River at **855-817-WIND (9463)** if using solid-state remote.

 **WARNING:** To reduce the risk of fire, electric shock, or personal injury, mount the fan to the outlet box marked acceptable for fan support with the screws provided with the outlet box.

Package contents

Unpack your fan and check the contents. See page 2. You should have the following items:

1. Blade (3)
2. Downrod assembly (1)
3. Mounting bracket (1)
4. Canopy (1)
5. Canopy cover (1)
6. Coupling cover (1)
7. Fan motor assembly (1)
8. Decorative light kit plate (1)
9. 14W LED assembly (1)
10. Receiver with 6 wire nuts (1)
11. Transmitter + holder + 2 mounting screws + A23 12 volt battery (1)
12. Loose parts bag containing
 - A: Machine screw (2)
 - B: Wood screw (2)
 - C: Metal washer (2)
 - D: Lock washer (2)
 - E: Blade screw (6 + 1 spare)
 - F: Metal washer (6 + 1 spare)
 - G: Wire nuts (9)
 - H: Balancing kit (1)



Begin installation

Tools Required: Phillips screw driver; slotted screw driver; pliers; wire cutters; electrical tape.

MOUNTING OPTIONS

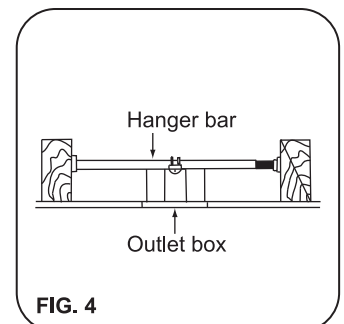
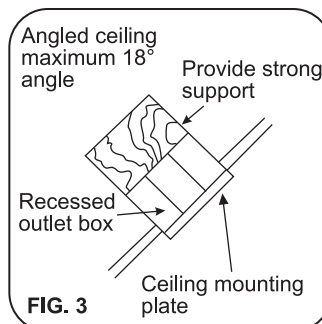
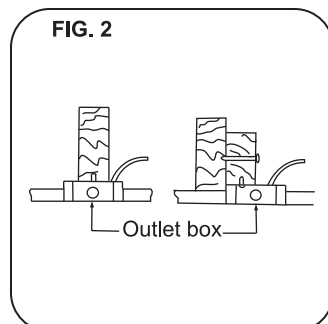
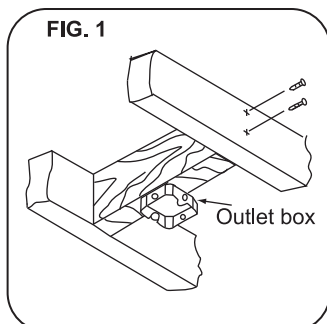
If there isn't an existing outlet box, then read the following instructions. Shut the power off at the circuit breaker or fuse box.

Secure the outlet box directly to the building structure. Use appropriate fasteners and building materials. Only use a U.L. Listed metal outlet box marked "Acceptable for ceiling fan support" to install the ceiling fan. Do not use a plastic outlet box or other device.

Figures 1,2 and 3 are examples of different ways to mount the outlet box.

Note: Please contact with dealer or Wind River at **855-817-WIND (9463)** if you need a longer downrod to maintain proper blade clearance when installing on a steep, sloped ceiling.

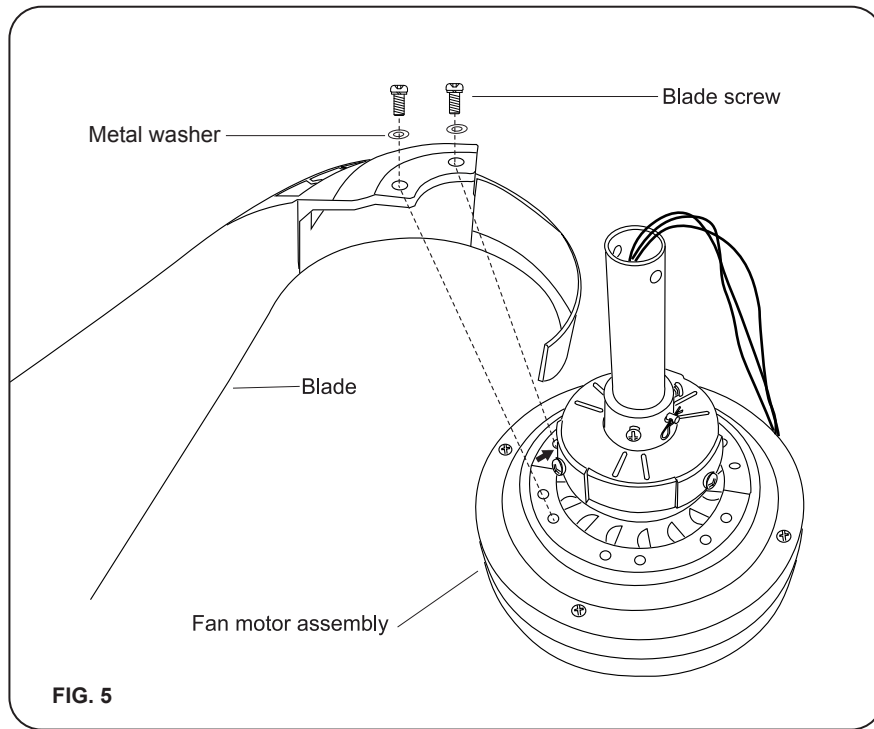
To hang your fan where there is an existing fixture but no ceiling joist, you may need to install a hanger bar as shown in Fig. 4.



Blade installation

Pay attention to the arrow label on the motor assembly . Please start from this arrow when you align 2 holes from the blade to the fan motor assembly. Secure the blade with two blades screws and two metal washers.

Follow the same process for the remaining two blades. (Fig. 5)



Hanging the fan

WARNING: Please use all of the parts hardware and components provided by Wind River. The use of other parts, hardware or components not supplied by Wind River with the fan will void the Wind River Warranty.

REMEMBER to turn off the power. Follow the steps below to hang your fan properly:

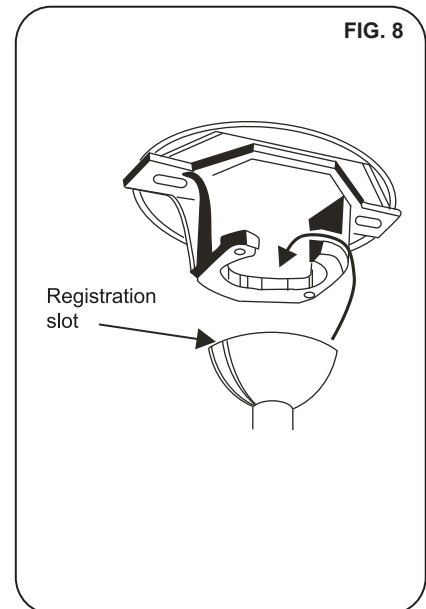
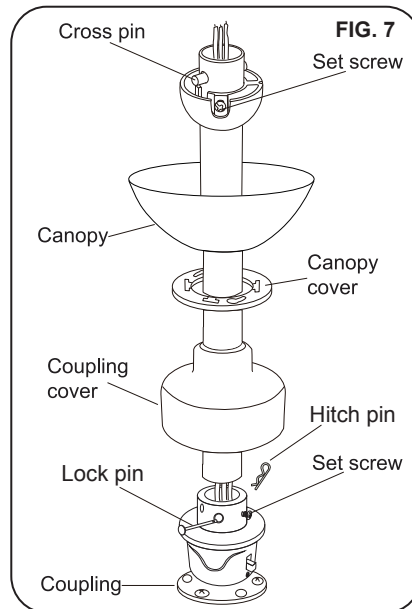
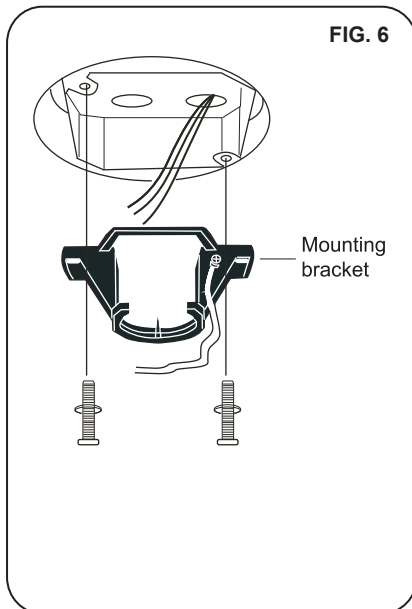
Step 1. Attach the mounting bracket to the outlet box with two screws and washers provided with the outlet box. Make sure the mounting bracket is tight and secured. (Fig.6)

Step 2. Loosen the two set screws from the fan motor assembly coupling. Remove the hitch pin and lock pin from the fan motor assembly. (Fig. 7)

Step 3. Remove the hanger ball from the downrod by loosening the hanger ball set screw, and removing the cross pin, then sliding the hanger ball off of the downrod. (Fig. 7)

Step 4. Carefully feed the fan wires up through the downrod. Thread the downrod into the fan motor assembly coupling. Line up the holes and replace the lock pin and the hitch pin. Tighten the set screws. (Fig. 7)

Step 5. Slip coupling cover, canopy cover, and canopy onto downrod (Fig.7). Carefully reinstall hanger ball onto rod being sure that cross pin is in the correct position, set screws are tighten and wires are not twisted. Step 6. Now lift motor assembly into position and place hanger ball into hanger bracket. Rotate until the check groove has dropped into the registration slot and seats firmly. (Fig. 8) Rod should not rotate if this is done correctly.



Electrical connections

Step 1. Insert the receiver into the mounting bracket with the flat side of the receiver facing the ceiling. (Fig.9)

Step 2. Follow the steps below to connect the fan to your house supply wires. Secure the wire nuts supplied with your fan by wrapping the connections with electrical tape. (Fig.10)

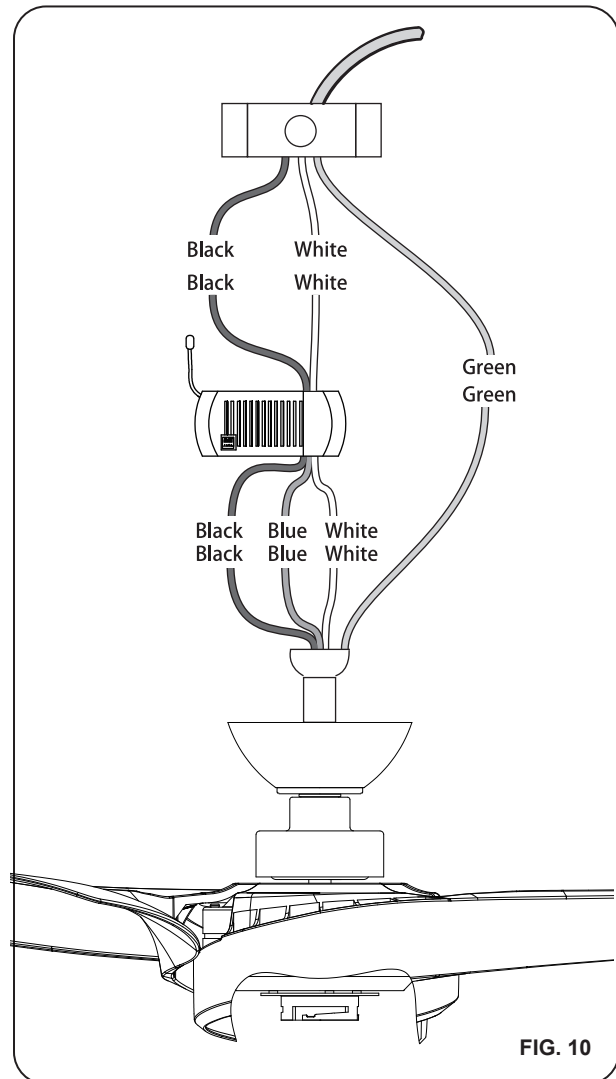
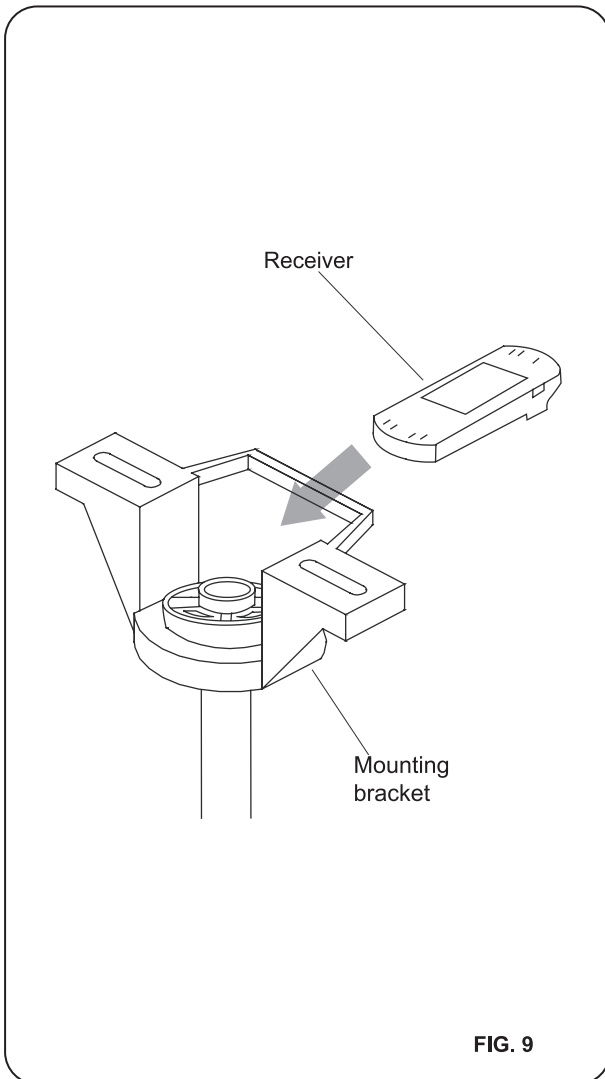
Motor to receiver electrical connections:

- Connect the black wire from the fan to the black wire marked "TO MOTOR L" from the receiver.
- Connect the white wire from the fan to the white wire marked "TO MOTOR N" from the receiver.
- Connect the blue wire from the fan to the blue wire marked "For Light" from the receiver.

Receiver to house supply wires electrical connections:

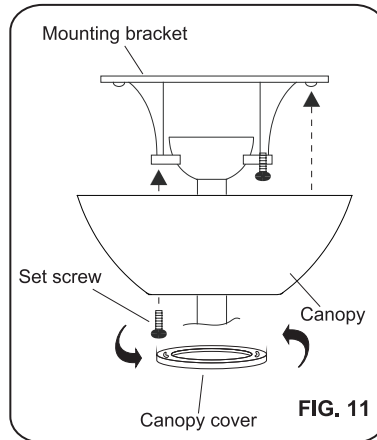
- Connect the black (hot) wire from the ceiling to the black wire marked "AC in L" from the receiver.
- Connect the white (neutral) wire from the ceiling to the white wire marked "AC in N" from the receiver.
- Connect the ground wire (green or bare copper) from outlet box to the ground wire of hanging ball and the ground wire of mounting bracket.

Step 3. Secure the wire connection with a plastic wire nut provided with the electrical hardware. After connecting the wires, spread them apart so that the green and white wires are on one side of the outlet box and the black and blue wires are on the other side, Carefully tuck the wire connections up into the outlet box.



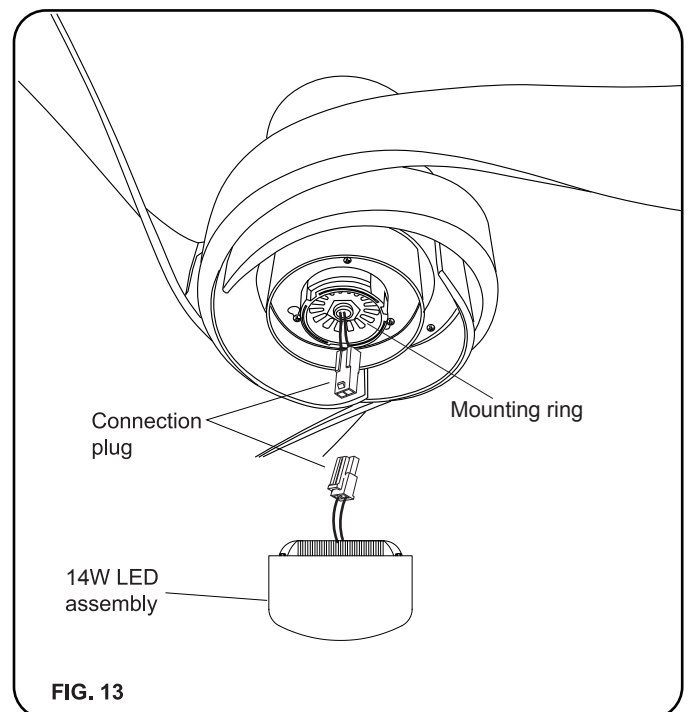
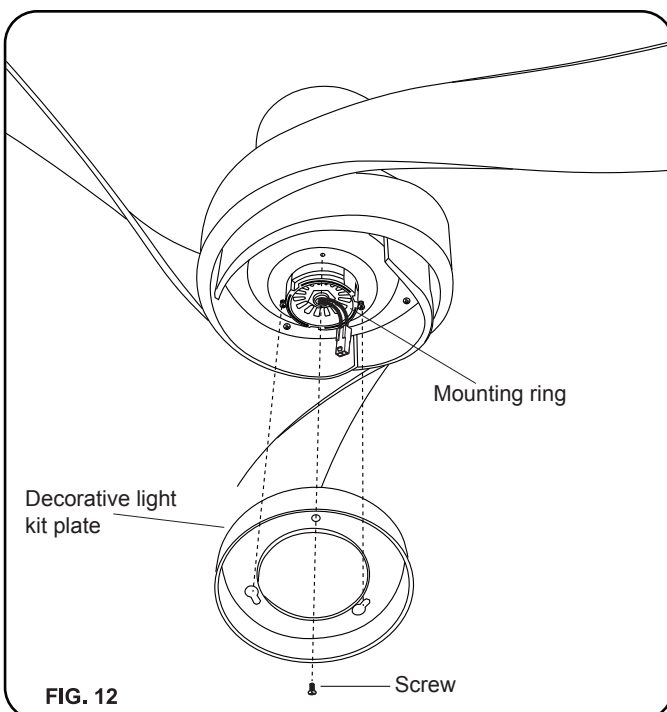
Finishing the installation

- Step 1. Remove one screw from the mounting bracket and loosen the other screw approximately 1/4 turn.
- Step 2. Carefully raise the canopy up to the mounting bracket, and ensure the loosened screw is inserted into the key hole on the canopy. Rotate the canopy clockwise. (Fig. 11)
- Step 3. Secure the canopy by replacing the screw previously removed and tightening the screw previously loosened. (Fig. 11)
- Step 4. Place the canopy cover on the canopy, and rotate the canopy cover clockwise until it locks into position. (Fig. 11)



Installing the light kit

- Step 1. Remove 1 of 3 screws from the mounting ring and loosen the other 2 screws. (Do not remove.) (Fig.12)
- Step 2. Place the key holes from the decorative light kit plate over the 2 screws previously loosened from the mounting ring, turn the decorative light kit plate until it locks in place at the narrow section of the key holes. Secure by tightening the 2 screws previously loosened and the one previously removed.(Fig.12)
- Step 3. While holding the 14W LED assembly under your fan, firmly snap the wire connection plugs together. (Fig.13)
- Step 4. Attach the 14W LED assembly to the mounting ring by twisting tightly. (Fig. 13)



Programming the remote


Note: The system is equipped with a learning frequency function which has 16 code combinations to prevent potential interference from other remote units. The frequency on your receiver and transmitter units have been preset at the factory. No frequency change is necessary, should you desire to install another fan within the same home or area with a separate frequency code. please kindly see below instruction manual to learn how to change the frequency.



Install a A23,12 Volt battery(included.)To prevent damage to transmitter remove the battery if not used for long periods of time.

Step 1: Turn the power off to your ceiling fan.

Step 2: Please use a small size tool to change the frequency settings on the control system.

Step 3: Return power to the unit.

Note: After the AC power is on, do not press any other button on the transmitter before pressing the "  " button; doing so will cause the procedure to fail.

Step 4: Within 60 seconds of turning the Fan's AC power ON. Press the transmitter's "  " button and hold the "  " button for 5 seconds.

Step 5: Once the receiver has detected the set frequency, the down light of your fan will blink twice and the fan will begin to rotate for a short period and then shut off.

Step 6: The receiver has now learned the frequency which has been selected on the transmitter. After completing the steps above, you should be able to operate the ceiling fan and light. If the fan is not responding to the transmitter, please turn the power off to the receiver, and repeat the process.

Dimmer function :

Set code labeled "1" means "Dimmer".

Set code labeled "ON" means "it is only on/off, NO DIM".

The set code has been preset to "1" which means "Dimmer"at the factory.

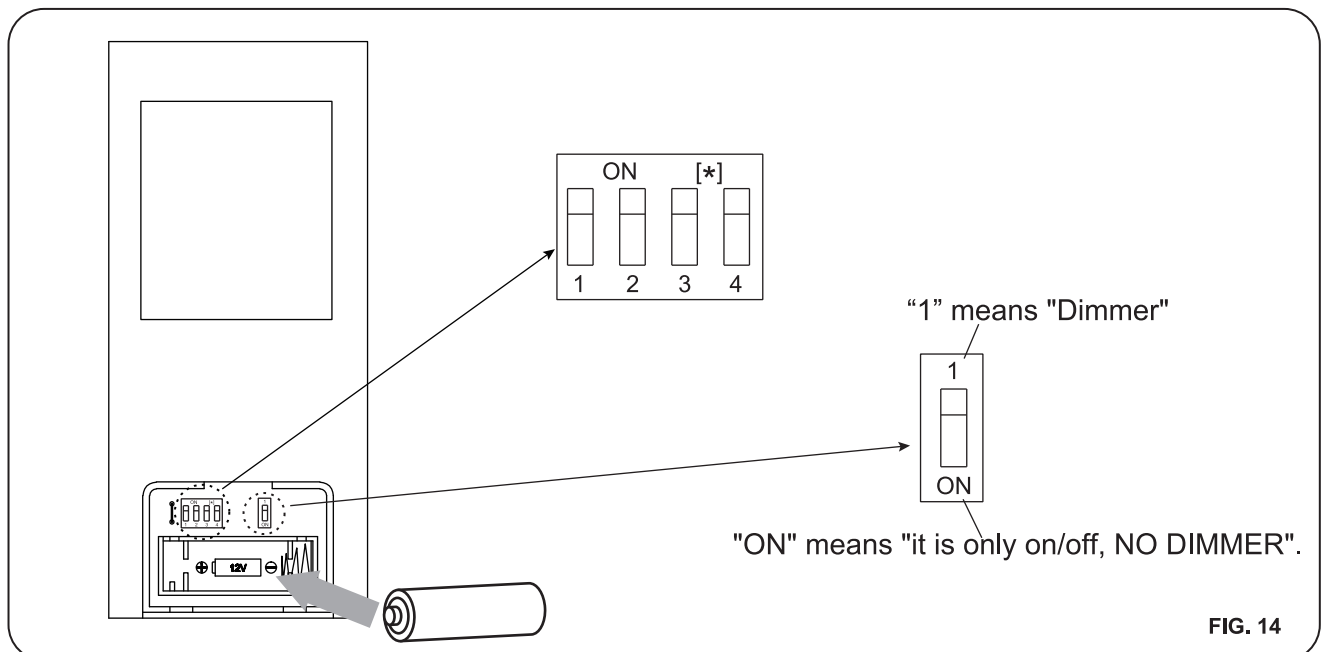





FIG. 14

Operating the transmitter

a. “”, “” and “” buttons:


These three buttons are used to select the fan speed.


Press and release the button of the desired speed setting:

 = Lowest speed

 = Medium speed

 = Highest speed

b. “” button: This button will turn the light on or off and will also control the brightness setting. Press and release the button and the light will turn on or cycle continuously between bright and dim settings as long as the button is held down. The light key has auto resume, it will stay at the same brightness as the last time it was turned off.

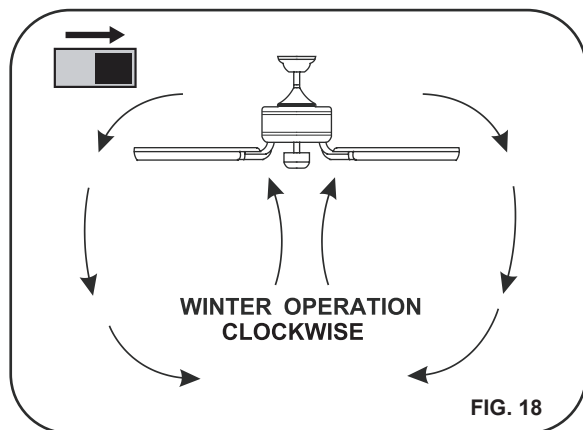
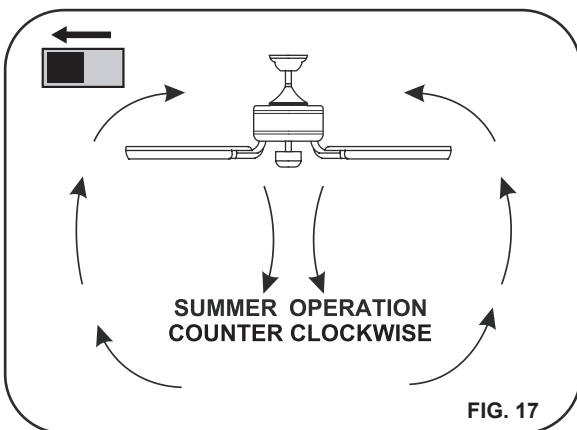
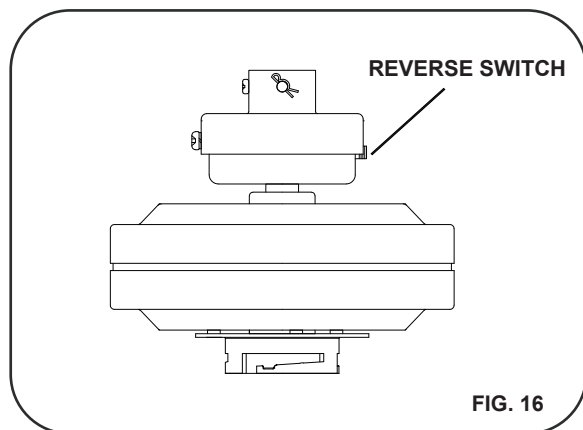
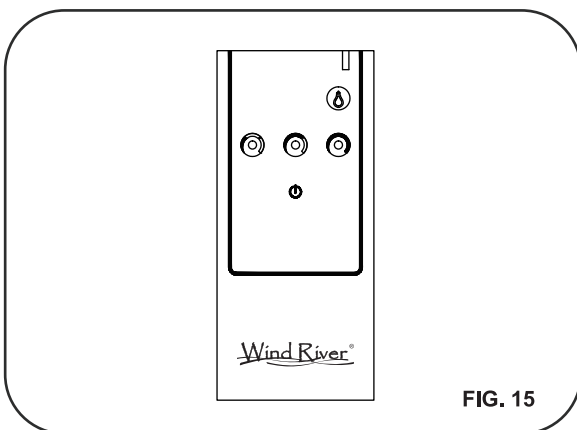
c. “” button: This button will turn the fan off.

The Reverse switch is located on fan motor assembly (Fig.16). Slide the switch to the Left for warm weather operation. Slide the switch to the Right for cool weather operation.

NOTE: Wait for fan to stop before changing the setting of the slide switch.

Warm weather - (Counterclockwise Direction) A downward air flow creates a cooling effect. This allows you to set your air conditioner on a higher setting without affecting your comfort.

Cool weather - (Clockwise Direction) An upward air flow moves warm air off the ceiling. This allows you to set your heating unit on a lower setting without affecting your comfort.



Connect your smart fan to BOND

After testing all operations of the ceiling fan and remote control, you are now ready to connect your smart fan to the BOND HOME APP. Download the BOND HOME APP using the Google Play or Apple Play Store and follow the prompts given.

Care and Cleaning

Check the support connections, brackets, and blade attachments twice a year. Ensure they are secure. Because of the fan's natural movement, some connections may become loose over time. It is not necessary to remove the fan from the ceiling.

Clean your fan periodically. Use only a soft brush or lint-free cloth to avoid scratching the finish. The plating is sealed with a lacquer to minimize discoloration or tarnishing.

(Optional) Apply a light coat of furniture polish to the wood blades.

(Optional) Cover small scratches with a light application of shoe polish.

Do not use water when cleaning. Water could damage the motor, or the wood, or possibly cause an electrical shock.

Do not apply oil to your fan or motor. The motor has permanently-lubricated sealed ball bearings.

Troubleshooting

Problem	Solution
The fan will not start.	Check main and branch circuit fuses or breakers.
	Check line wire connections to the fan and switch wire connections in the switch housing.
The fan sounds noisy.	Make sure all motor housing screws are snug.
	Make sure the screws that attach the fan blade arm to the motor hub are tight.
	Make sure wire nut connections are not rattling against each other or the interior wall of the switch housing.
	Allow a 24-hour "breaking-in" period. Most noises associated with a new fan disappear during this time.
	If using the ceiling light kit, make sure the screws securing the glassware are tight. Check that the light bulb is also secure.
	Make sure there is a short distance from the ceiling to the canopy. It should not touch the ceiling.
The fan wobbles.	Make sure your ceiling box is secure and rubber isolator pads are used between the mounting bracket and outlet box.
	Check that all blade and blade arm screws are secure.
	Most fan wobble problems are caused when blade levels are unequal. Check this level by selecting a point on the ceiling above the tip of one of the blades. Measure from a point on the center of each blade to the point on the ceiling. Rotate the fan until the next blade is positioned for measurement. Repeat for each blade. Measurements deviation should be within 1/8 in. Run the fan for 10 minutes.
	Use the enclosed blade balancing kit if the blade wobble is still noticeable.

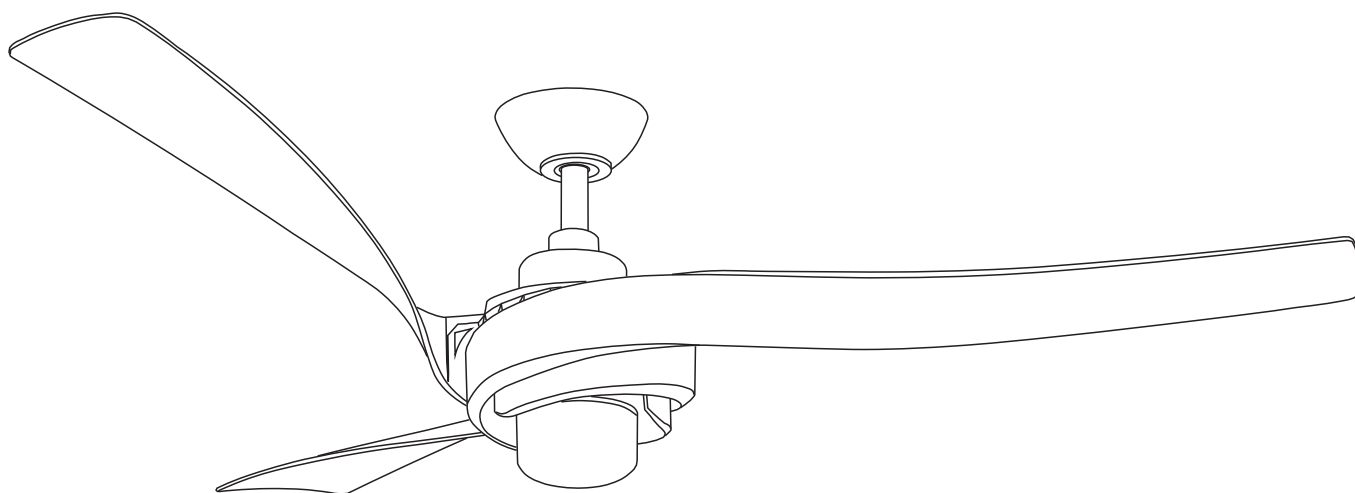


Questions, problems, missing parts? Before returning to your retailer, call our customer service department at **855-817-WIND (9463)**
 8 a.m. - 5 p.m., EST, Monday-Friday
 E-mail: service@windriverus.com



Ventilador de techo inteligente interior con Wi-Fi de Kurve de 60"™

Lea y guarde estas instrucciones



¿Preguntas, problemas, partes perdidas? Antes de volver a la tienda, llame a nuestro departamento de servicio al cliente al **855-817-WIND (9463)**

8 a.m. - 5 p.m., EST, Lunes-Viernes

E-mail: service@windriverus.com



Intertek

WR1804 SERIES

Velocidad	Voltios	Amperios	Vatios	RPM	CFM	N.W.	G.W.	C.F.
Baja	120	0.26	14.77	66	2221	7.75 kgs (17.05lbs)	9.65 kgs (21.23lbs)	3.327 ft.
Mediana		0.39	32.37	102	3861			
Alta		0.56	66.82	150	5940			

NOTA: Estas son mediciones aproximadas. No incluyen los Amperios y vatios usado por el juego de iluminación.

340644010361

Règles de sécurité

1. Para reducir el riesgo de electrocución, asegurarse de que la electricidad se ha desactivado en el cortacircuitos o caja de fusibles antes de comenzar.
2. Todos los cables deben cumplir con el Código Eléctrico Nacional "ANSI/NFPA 70-1999" y los códigos eléctricos locales. La instalación eléctrica debería realizarla un electricista profesional cualificado.
3. La caja de distribución y la estructura de soporte deben estar montados de manera segura y deben ser capaces de soportar, de manera confiable, un mínimo de 35 libras (15,9 kilogramos). Usar solamente cajas de distribución listadas por U.L. marcadas "PARA SOPORTE DE VENTILADORES".
4. EL ventilador debe estar montado con un mínimo de 10 pies (305 cm) de espacio libre desde el borde posterior de las aspas hasta el piso.
5. Tras realizar las conexiones eléctricas, los conductores empalmados deberían girarse hacia arriba y meterse con cuidado en la toma de corriente. Los cables deberían separarse con el conductor a tierra y el conductor de tierra del equipo por un lado de la toma de corriente y el conductor no conectado a tierra en el otro lado de la toma de corriente.
6. Todos los tornillos deberían ser comprobados y revisados antes de la instalación.



ADVERTENCIA: Por reducir el riesgo de descargas eléctricas o incendios, no utilice este ventilador con ningún controlador de velocidad del ventilador de estado sólido. Por favor, póngase en contacto con el distribuidor o con Wind River llamando al **855-817-WIND (9463)** si utilice el mando de estado sólido a distancia.

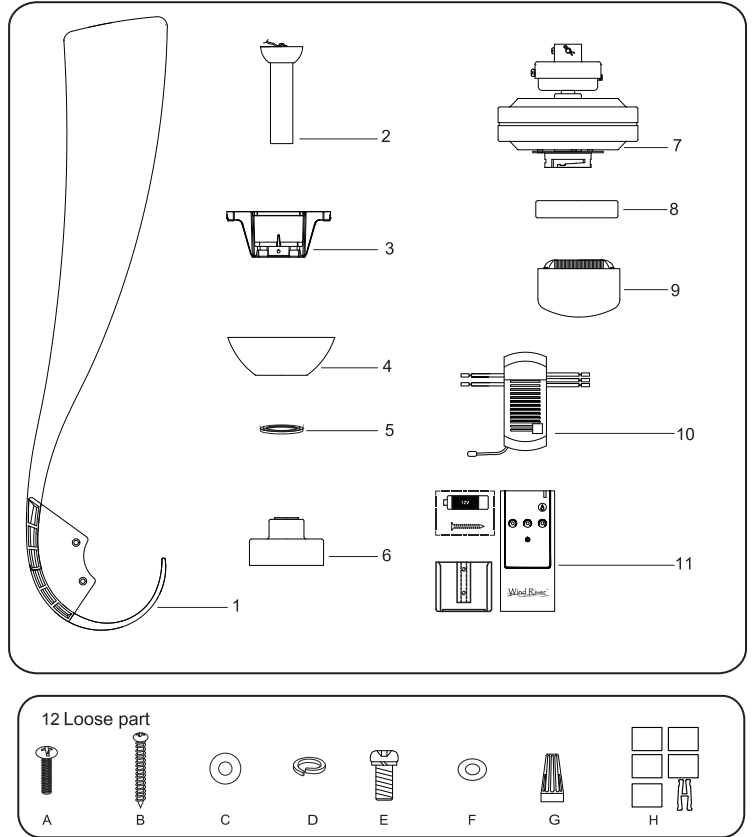


ADVERTENCIA: Para reducir el riesgo de fuego, descarga eléctrica o lesiones personales, monte el ventilador a una toma de corriente marcada como compatible para soportar un ventilador con los tornillos incluidos en la toma de corriente.

Contenidos en paquete

Desembalar el ventilador y revisar el contenido. Vease pagina 2. Debe tener los siguientes elementos:

1. Hoja (3)
2. Conjunto de varilla (1)
3. Soporte de montaje (1)
4. Tapa (1)
5. Tapa de cubierta (1)
6. Cubierta de acoplamiento (1)
7. Conjunto de motor de ventilador (1)
8. Placa de conjunto de luz decorativa (1)
9. Conjunto LED 14W (1)
10. Receptor con 6 tuercas de alambre (1)
11. Transmisor con portatransmisores + 2 tornillos de montaje + batería A23 de 12 voltios (1)
12. El bolso de accesorios incluye:
 - A: Tornillo de máquina (2)
 - B: Tornillo de madera (2)
 - C: Arandela de metálica (2)
 - D: Arandela de seguridad (2)
 - E: Tornillo de hoja (6 + 1 repuesto)
 - F: Arandelas de metal (6 + 1 repuesto)
 - G: Tuerca de alambre plástica (9)
 - H: Conjunto de balanceo (1)



Comenzando la instalacion

Herramientas necesarias: Un desarmador plano, un desarmador de cruz, cortadoras de alambre, cinta aislante.

OPCIONES DE MONTAJE

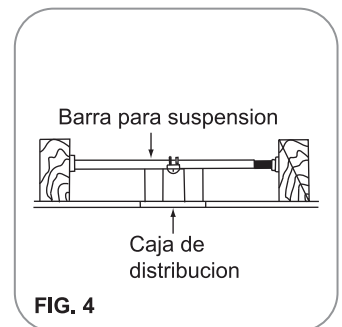
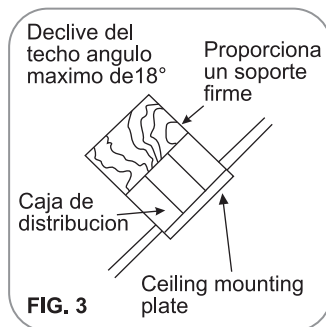
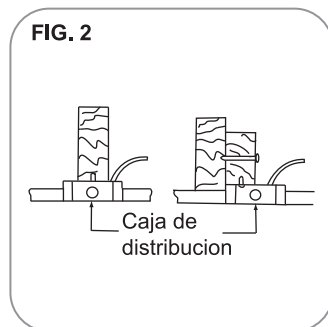
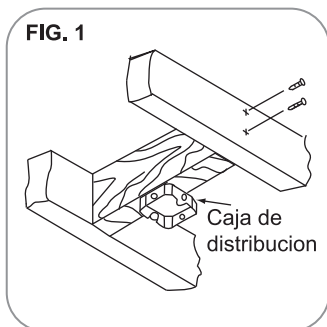
Si no existe una caja de distribucion instalada, siga las siguientes instrucciones. Desconecte la energía eléctrica apagando los interruptores del circuito o sacando los fusibles.

Asegure la caja de distribucion directamente en la estructura del edificio. Use los soportes y materiales de construccion apropiados. La caja de distribucion y soporte deben de ser capaces de soportar todo el peso en movimiento del ventilador (minimo de 35 libras). Use una caja de metal que esté aprovada por UL marcada "Acceptable for Ceiling Fan Support". No use cajas de distribucion de plástico.

Las ilustraciones 1, 2 y 3 muestran alternativas diferentes para montar la caja de distribucion.

Nota: Por favor, póngase en contacto con el distribuidor o con Wind River en el **855-817-WIND (9463)** si necesita una varilla regulable más larga para mantener la holgur adecuada de las palas cuando lo instale en un techo inclinado.

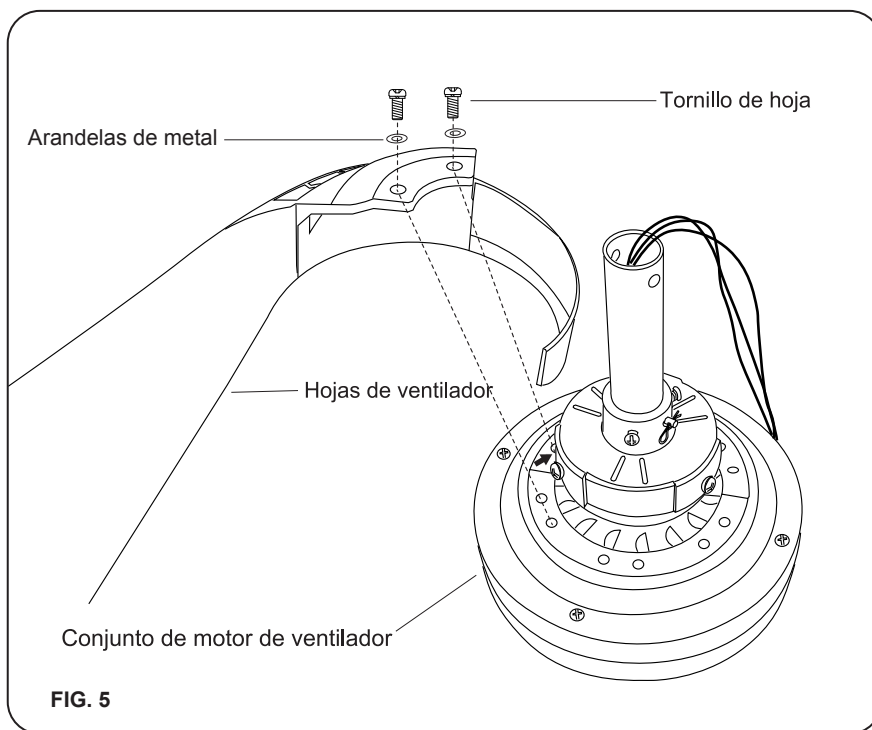
Para colgar su ventilador donde anteriormente había una lámpara pero no hay viga, prodria necesitar instalar una abrazadera de soporte como se muestra en la ilustracion 4.



Instalación de las hojas

Observe la etiqueta de la flecha en el ensamblaje del motor, comience desde esta flecha cuando alinee 2 orificios desde la aspa al ensamblaje del motor del ventilador. Fije la aspa con dos tornillos de aspas y dos arandelas de metal.

Siga el mismo proceso para la otras dos hojas. (Fig. 5)



Colgando el ventilador

⚠ Advertencia: Utilice todas piezas metalicasy componentes proporcionados por Wind River. El uso de otras piezas metalicas o componentes no suministrados por Wind River con el ventilador, se anulará la Garantía de Wind River.

RECORDAR: Apagar la energia electrica en el circuito principal o en la caja de fusibles:

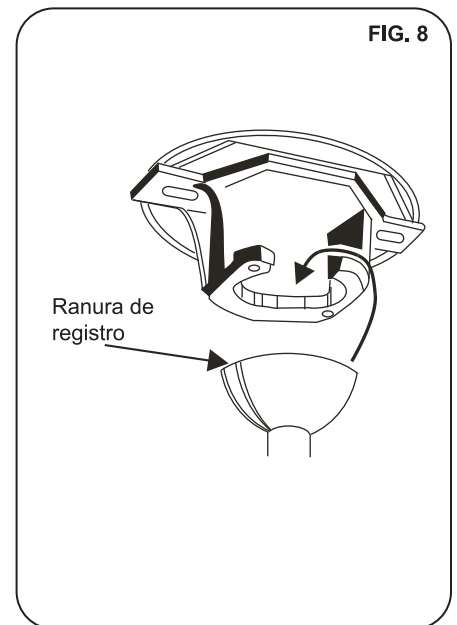
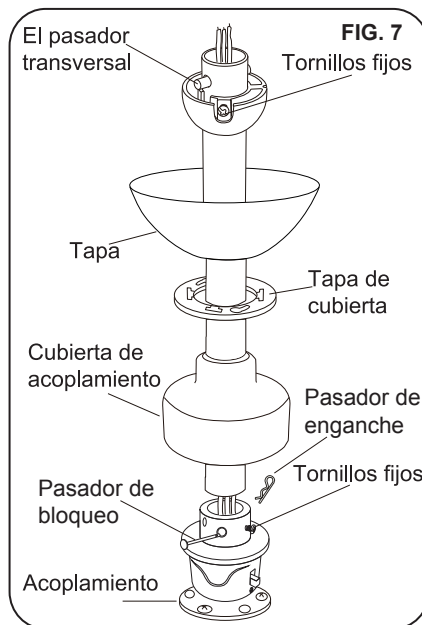
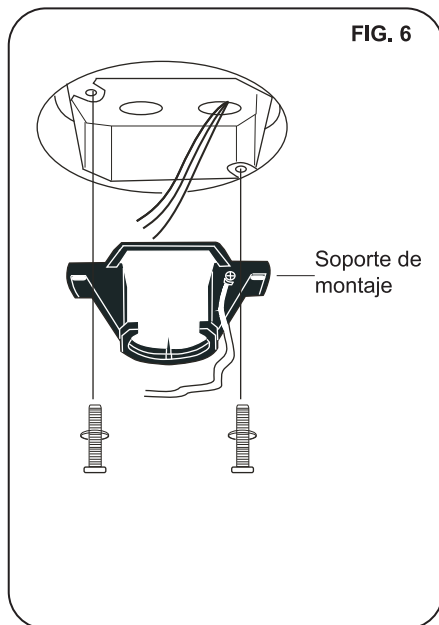
Paso 1. Fije el soporte de montaje en la caja de salida por los dos tornillos y las arandelas proporcionados con la caja de salida. Asegúrese de que el soporte de montaje se apriete bien y firmemente.(Fig.6)

Paso 2. Aoje los dos tornillos de jación del acoplamiento del conjunto del motor del ventilador del motor. Quite el pasador de enganche y el pasador de bloqueo del acoplamiento del conjunto del motor del ventilador del motor. (Fig. 7)

Paso 3. Quite la bola de suspensión de la varilla por aojando el tornillo de jación de la bola de suspensi n, y quitando el pasador transversal, entonces deslizando la bola de suspensión fuera de la varilla. (Fig. 7)

Paso 4. Proporcione los cables del ventilador a través de la varilla cuidadosamente. Enrosque la varilla en el acoplamiento del conjunto del motor del ventilador. Alinee los agujeros y reemplace el pasador de bloqueo y el pasador del enganche. Entonces apriete los tornillos de jación. (Fig. 7)

Paso 5. Deslice la cubierta de acoplamiento, la tapa de cubierta, y la tapa en la varilla (Fig.7).Y vuelva a instalar la bola de suspensión cuidadosamente en la varilla, entonces por favor asegúrese de que el pasador transversal esté en la posición correcta, los tornillos de fijación estén apretados, y los alambres no sean torcidos.



Conexiones eléctricas

Paso 1. Inserte el receptor en el soporte de montaje con el lado plano del receptor afrontando al techo. (Fig.9)

Paso 2. Siga los pasos siguientes para conectar el ventilador a los alambres de alimentaciones de su casa. Fije las tuercas de alambre proporcionadas con el ventilador por envolviendo las conexiones con la cinta eléctrica. (Fig.10)

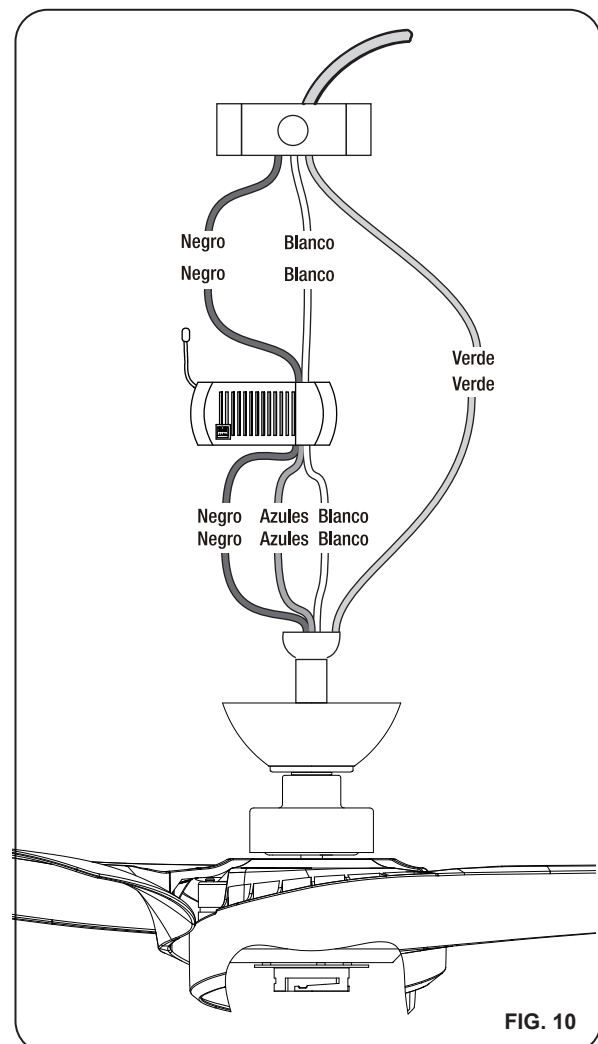
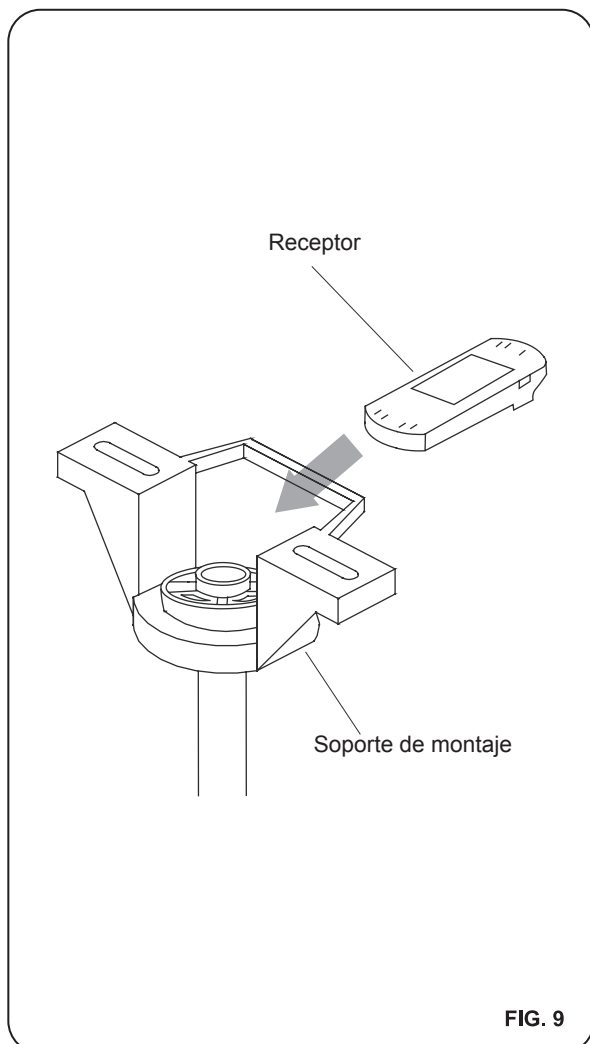
Las conexiones eléctricas del motor al receptor:

- Conecte el alambre negro del ventilador al alambre negro marcado "AL MOTOR L" del receptor.
- Conecte el alambre blanco del ventilador al alambre blanco marcado "AL MOTOR N" del receptor.
- Conecte el alambre azul del ventilador al alambre azul marcado "PARA LA LUZ" del receptor.

Las conexiones eléctricas del receptor a los alambres de alimentación de vivienda:

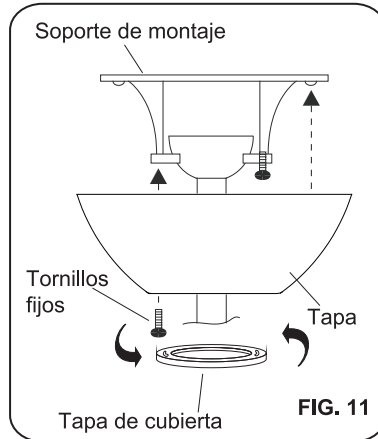
- Conecte el alambre negro del techo al alambre negro marcado "ENTRADA CA L" del receptor.
- Conecte el alambre blanco (neutral) del alambre del techo al alambre blanco marcado "ENTRADA CA N" del receptor.
- Conecte el cable a tierra (verde o cobre expuesto) de la caja de salida al cable a tierra de la bola colgante y al cable a tierra del soporte de montaje.

Paso 3. Asegúrese de que la conexión del alambre con una tuerca de alambre plástico sea proporcionada con el hardware eléctrico. Después de conectar los alambres, los separe con el fin de que los alambres verdes y blancos estén en un lado de la caja de salida y los alambres negros y azules estén en el otro lado. Y meta cuidadosamente las conexiones de alambres dentro de la caja de salida.



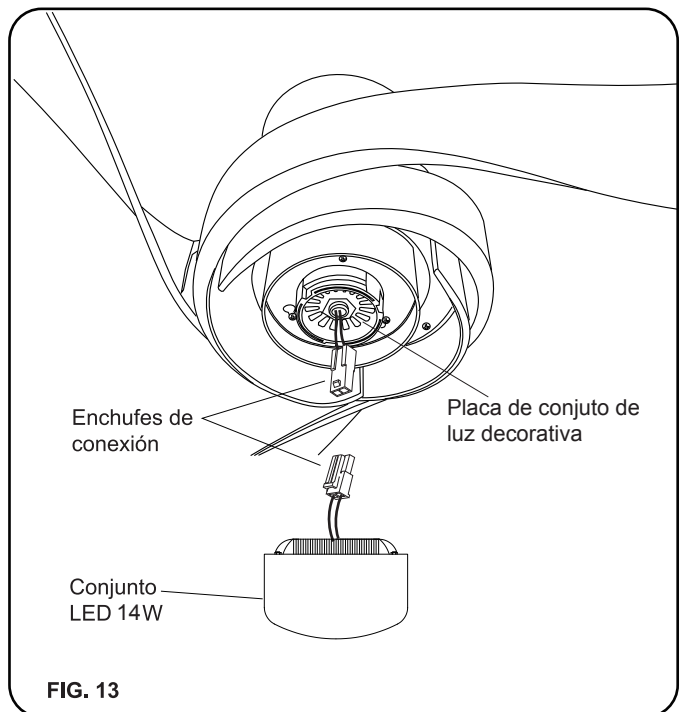
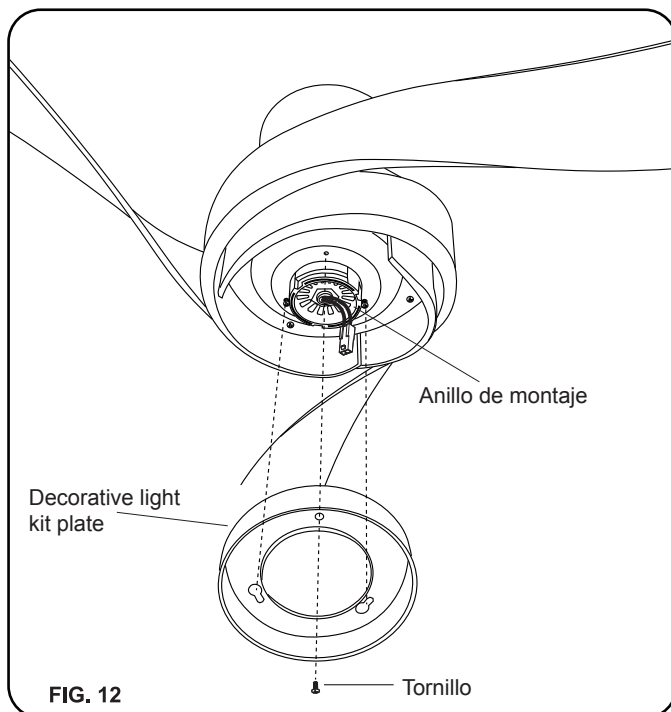
Terminando la instalacion

- Paso 1. Quite un tornillo del soporte de montaje y afloje el otro tornillo por 1/4 de vuelta más o menos.
- Paso 2. Levante la tapa con mucho cuidado al soporte de montaje, y comprueba que el tornillo aflojado haya insertado en el agujero de la llave en la tapa. Gire la tapa en sentido horario. (Fig. 12)
- Paso 3. Fije la tapa por reemplazando el tornillo previamente quitado y apretando el tornillo previamente aflojado. (Fig. 11)
- Paso 4. Coloque la cubierta de tapa en la misma y gire la cubierta de tapa en el sentido de la aguja del reloj hasta que él bloquee en su posición. (Fig. 11)



Instalar el luz

- Paso 1. Retire 1 de 3 tornillos del anillo de montaje y afloje los otros 2 tornillos. (No quitarlos) (Fig. 12)
- Paso 2. Coloque las bocallaves de la placa del conjunto de luz decorativa sobre los 2 tornillos aflojados previamente del anillo de montaje, gire la placa del conjunto de luz decorativa hasta que encaje en la sección estrecha de las bocallaves. Fija apretando los 2 tornillos previamente aflojados y el que se retiró anteriormente. (Fig.12)
- Paso 3. Coloque la conjunto LED 14W a la placa caja del interruptor, y lo gitando con fuerza. (Fig.13)
- Paso 4. Fije el conjunto de LED de 14 W al anillo de montaje girándolo firmemente. (Fig.13)



Programación del mando a distancia


Nota: El sistema está equipado con una función de aprender frecuencia que cuenta con 16 combinaciones de códigos a evitar interferencia potencial de otras unidades remotas. La frecuencia en su receptor y transmisoras ha sido preajustado en la fábrica. No es necesario cambiar la frecuencia, si desea instalar otro ventilador dentro de la misma casa o área con un código de frecuencia separado, vease el manual de instrucciones a continuación para aprender cómo cambiar la frecuencia.

Instale una batería de 12V en el control remoto. Para evitar los daños del control remoto, por favor quita la batería si no la utiliza por un largo tiempo.



Poso 1: Desconecte la alimentación de su ventilador de techo.

Poso 2: Utilice una pequeña herramienta de tamaño para cambiar los ajustes de frecuencia en el sistema de control.

Poso 3: Regrese la electricidad a la unidad.

Nota: Después regresar la electricidad, no oprime ningún otro botón en el transmisor antes de oprimir el botón "  ", al hacerlo hará que el procedimiento falle.

Poso 4: Dentro de los 60 segundos después de encender la electricidad al ventilador. oprime el botón

"  " en el transmisor y mantenga presionado el botón de "  " durante 5 segundos.

Poso 5: Una vez que el receptor ha detectado la frecuencia establecida, la luz hacia abajo de su ventilador se encenderá dos veces y el ventilador comenzará a girar por un período corto y luego se apaga.

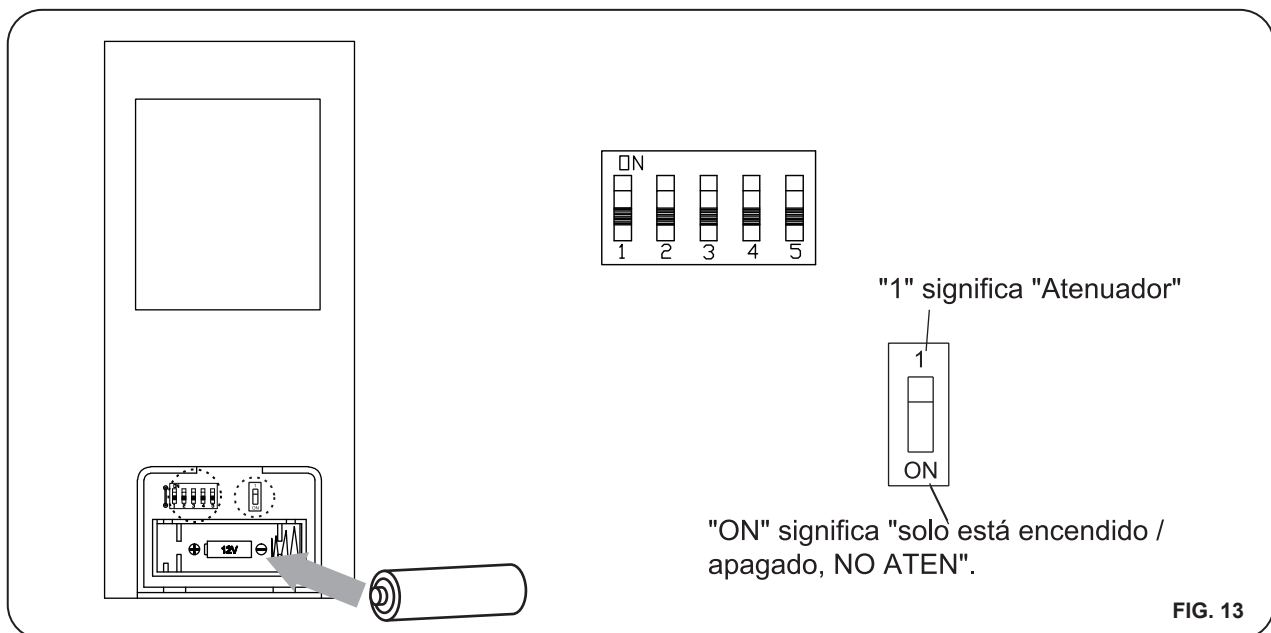
Poso 6: El receptor se ha enterado de la frecuencia que ha sido seleccionado en el transmisor. Después de completar los pasos anteriores, usted debería ser capaz de operar el ventilador de techo y la luz. Si el ventilador no está respondiendo al transmisor, por favor apague la alimentación al receptor, y repeta el proceso.

Función de atenuar:

El código de ajuste en la etiqueta "1" significa "Atenuador".

El indicador "ON" significa "solo está activado / desactivado, NO DIM".

El código de ajuste ha sido preajustado en "1" en la fábrica.




Operacion del transmisor


a. Interruptor “  ”, “  ”, “  ”, “  ”, “  ”, “  ” :

Estos interruptores seleccionan la velocidad de la manera siguiente;

 = Velocidad Baja


 = Velocidad Mediana-bajo

 = Velocidad Mediana

 = Velocidad Mediana-alto

 = Velocidad Alta

 = Velocidad Más alta

b. Interruptor “  ” : Estos interruptores prenden, apagan y controlan la intensidad de la luz. Para prender o apagar la lampara oprima y suelte el interruptor de la lampara deseada. Para cambiar la intensidad de la luz oprima y sostenga el interruptor. La luz mantendra un ciclo continuo entre la luz mas intensa y la luz mas baja mientras el interruptor se mantenga oprimido. La luz se mantendra a la misma intensidad que la ultima vez que la uso.

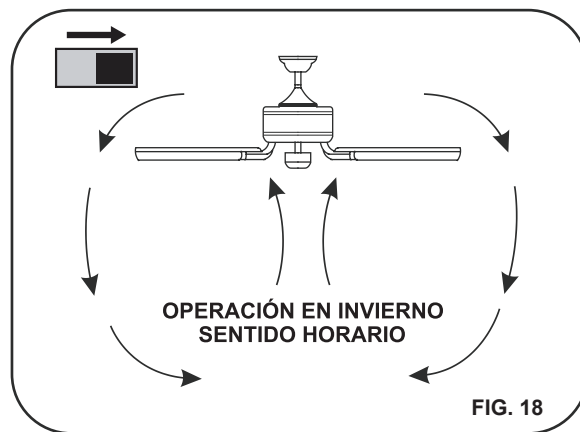
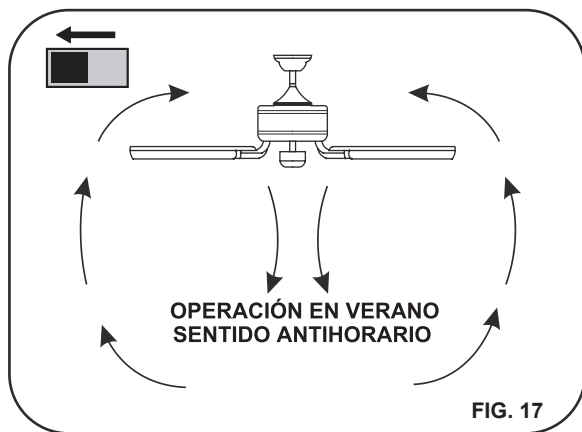
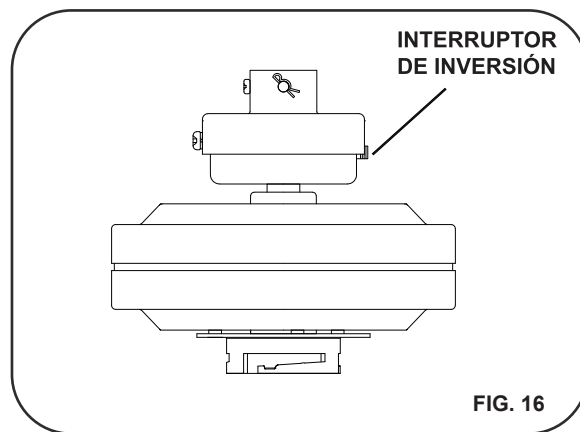
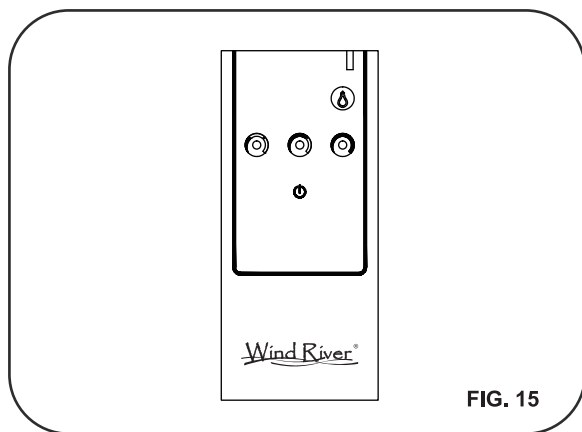
c. Interruptor “  ” : Este interruptor apaga el ventilador.

El selector se encuentra en el conjunto del motor del ventilador (Fig. 16). Deslice el selector hacia la izquierda para la operación en clima cálido, hacia la derecha para operar en climas fríos.

NOTA: Espere que e ventilador se detenga antes de cambiar la direction de las Aspas

Clima cálido - (Adelante) Una corriente de aire descendente crea un efecto refrescante como se muestra en. Esto le permite ajustar su aire acondicionado en un mayor ajuste sin que ello afecte su comodidad.

Clima Frío - (Inversa) Un flujo de aire mueve el aire caliente hacia arriba fuera de la zona límite, como se muestra en. Esto le permite configurar su unidad de calefacción en un ajuste más bajo sin afectar a su comodidad.



Conecta su ventilador inteligente a BOND

Después de probar todas las operaciones del ventilador de techo y el control remoto, ahora está listo para conectar su ventilador inteligente a la aplicación BOND HOME. Descargue la APLICACIÓN BOND HOME en Google Play o Apple Play Store y siga las instrucciones que se le dan.

Cuidado y Limpieza

Verifique las conexiones de soporte, soportes y equipos de hoja dos veces por un año. Y asegúrese de fijarlos bien. Debido al movimiento natural del ventilador, unas conexiones puedan aflojarse por un tiempo. No es necesario de quitar el ventilador del techo.

Limpie el ventilador periódicamente. Sólo utilice un paño suave o libre de hilas para evitar la rascadura del acabado. El revestimiento se selle con barniz para minimizar la descoloración o deslustre.

(Opcional) Aplique una capa ligera de lustre de mueble en las hojas de madera.

(Opcional) Cubre las rascaduras pequeñas con unos lustres de zapatos.

No pueda utilizar aguas a la limpieza. El agua pueda dañar el motor, la madera o causar un choque eléctrico posiblemente.

No pueda aplicar aceite en el ventilador o el motor. Los rodamientos de bolas del motor han sido lubricados permanentemente.

Solución de averías

Problema	Solución
El ventilador no funciona	Revisar los fusibles o interruptores de circuitos.
	Verificar las conexiones de cables de línea al ventilador y conexiones de cable del interruptor.
El ventilador emiteruido	Asegurarse de que todos los tornillos de la cubierta del motor estén ajustados.
	Asegurarse de que los tornillos que sujetan el soporte de aspas del ventilador al eje del motor estén apretados.
	Asegurarse de que las conexiones de tuercas para cable no esten rozando unas contra otras o contra la pared interior de la cubierta protectora del interruptor.
	Permitir un período de "desgaste" de 24 horas. La mojaría de los ruidos asociados con un ventilador nuevo desaparecen durante este tiempo.
	Si se está usando un juego opcional de iluminación para el ventilador de techo, asegurarse de que los tornillos que aseguran el vidrio estén apretados. Asimismo, verificar que la bombilla esté segura.
	Asegurarse de que el escudete superior esté a una corta distancia del techo. No debe hacer contacto con el techo.
Las oscilaciones de ventilador	Asegúrese de que la caja del techo esté fija y que las almohadillas aislantes de goma estén colocadas entre el soporte de montaje y la toma de corriente.
	Verifique si todas las hojas y los tornillos de brazo de hoja sean fijados.
	La mayoría de los problemas sobre la oscilación es causada cuando los niveles de hoja son irregulares. Verifique el nivel por seleccionando un punto del techo encima del extremo de una de las hojas. Y tome la medidas desde un punto en el centro de caja hoja al punto del techo. Gire el ventilador hasta que la hoja siguiente sea situada para la medida. Repite por caja hoja. La desviación de las medidas debe estar dentro de 1/8 pulgadas. Y funcione el ventilador por diez minutos.
	Utilice el conjunto de balanceo de hoja adjuntivo si la oscilación de hoja todavía es notable.



¿Preguntas, problemas, partes perdidas? Antes de volver a la tienda, llame a nuestro departamento de servicio al cliente al **855-817-WIND (9463)**
 8 a.m. - 5 p.m., EST, Lunes-Viernes
 E-mail: service@windriverus.com